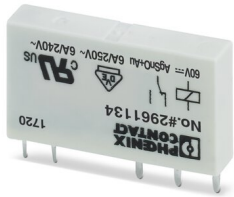


REL-MR- 60DC/21AU - Single relay

2961134

<https://www.phoenixcontact.com/in/products/2961134>

Please be informed that the data shown in this PDF document is generated from our Online Catalog. Please find the complete data in the user documentation. Our General Terms of Use for Downloads are valid.



Plug-in miniature power relay, with multi-layer gold contact, 1 changeover contact, input voltage 60 V DC

Your advantages

- Safe isolation according to DIN EN 50178 between coil and contact
- High degree of protection up to RT III depending on type (wash-proof)
- Power contacts up to 6 A

Commercial Data

Item number	2961134
Packing unit	10 pc
Minimum order quantity	10 pc
Sales Key	CK6
Product Key	CK6195
Catalog Page	Page 394 (C-5-2019)
GTIN	4017918130848
Weight per Piece (including packing)	6.984 g
Weight per Piece (excluding packing)	6.47 g
Customs tariff number	85364190
Country of origin	CZ

Technical Data

Product properties

Product type	Single relay
Set comprises	2966142 PLC-RSC- 60DC/21AU
	2966281 PLC-RSC-120UC/21AU
	2980034 PLC-RSC-125DC/21AU
	2966294 PLC-RSC-230UC/21AU
	2966294 PLC-RSC-230UC/21AU
	2966579 PLC-RSP- 60DC/21AU
	2966582 PLC-RSP-120UC/21AU
	2966647 PLC-RSP-230UC/21AU
	2900309 PLC-RPT- 60DC/21AU
	2900310 PLC-RPT-120UC/21AU
	2900311 PLC-RPT-230UC/21AU
	2966320 PLC-RSC-120UC/ 1AU/SEN
	2966333 PLC-RSC-230UC/ 1AU/SEN
	2967390 PLC-RSP-120UC/ 1AU/SEN
	2967413 PLC-RSP-230UC/ 1AU/SEN
	2900314 PLC-RPT-120UC/ 1AU/SEN
2900315 PLC-RPT-230UC/ 1AU/SEN	
2987066 PLC-RSP-110UC/21AU/RW	
2900323 PLC-RPT-110UC/21AU/RW	
Operating mode	100% operating factor
Mechanical service life	2x 10 ⁷ cycles

Insulation characteristics

Overvoltage category	III
Pollution degree	3

Electrical properties

Maximum power dissipation for nominal condition	0.18 W
Test voltage (Winding/contact)	4 kV AC (50 Hz, 1 min., winding/contact)

Input data

Coil side

Nominal input voltage U _N	60 V DC
Input voltage range	36 V DC ... 165 V DC
Typical input current at U _N	3 mA
Typical response time	5 ms
Typical release time	2.5 ms
Coil resistance	20500 Ω ±15 % (at 20 °C)

REL-MR- 60DC/21AU - Single relay



2961134

<https://www.phoenixcontact.com/in/products/2961134>

Output data

Switching

Contact type	1 changeover contact
Type of switch contact	Single contact
Drive and function	monostable
Drive (polarity)	bipolar
Contact material	AgSnO, hard gold-plated
Maximum switching voltage	30 V AC 36 V DC
Minimum switching voltage	100 mV (at 10 mA)
Limiting continuous current	50 mA
Maximum inrush current	50 mA
Min. switching current	1 mA (at 24 V)
Interrupting rating (ohmic load) max.	1.2 W (at 24 V DC)

Switching: when the gold layer is destroyed

Note	the following values are applicable if a gold layer is destroyed
Contact material	AgSnO
Maximum switching voltage	250 V AC
Minimum switching voltage	5 V (at 100 mA)
Limiting continuous current	6 A
Min. switching current	10 mA (at 12 V)
Interrupting rating (ohmic load) max.	140 W (at 24 V DC) 20 W (at 48 V DC) 18 W (at 60 V DC) 23 W (at 110 V DC) 40 W (at 220 V DC) 1500 VA (for 250 V AC)
Switching capacity	2 A (at 24 V, DC13) 0.2 A (at 110 V, DC13) 0.1 A (at 220 V, DC13) 3 A (at 24 V, AC15) 3 A (at 120 V, AC15) 3 A (at 230 V, AC15)

Connection data

Connection method	Plug / solder connection
-------------------	--------------------------

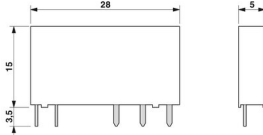
Dimensions

REL-MR- 60DC/21AU - Single relay



2961134

<https://www.phoenixcontact.com/in/products/2961134>

Dimensional drawing	
Width	5 mm
Height	28 mm
Depth	15 mm

Environmental and real-life conditions

Ambient conditions

Degree of protection	RT III
Ambient temperature (operation)	-40 °C ... 85 °C
Ambient temperature (storage/transport)	-40 °C ... 85 °C

Approvals

Corrosive gas test

Identification	ISA-S71.04. G3 Harsh Group EN 60068-2-60
----------------	---

Standards and regulations

Standards/regulations	IEC 60664 EN 50178 EN 61810-1
-----------------------	-------------------------------------

Mounting

Assembly instructions	in rows with zero spacing
Mounting position	any

REL-MR- 60DC/21AU - Single relay

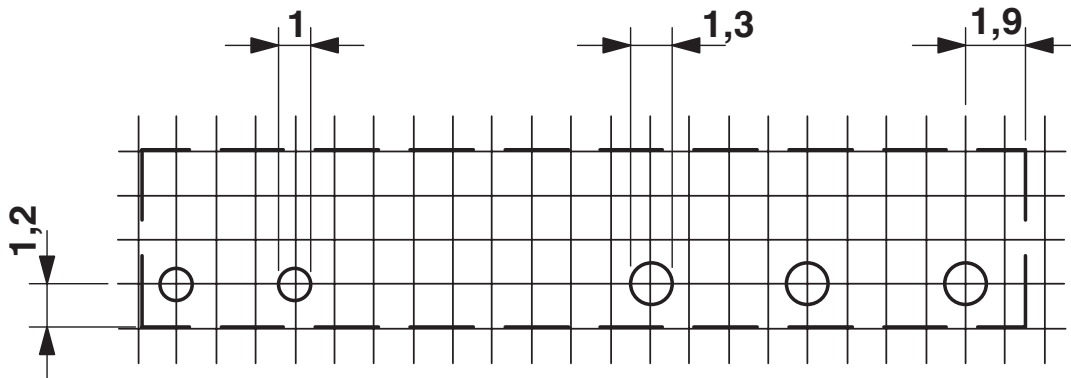


2961134

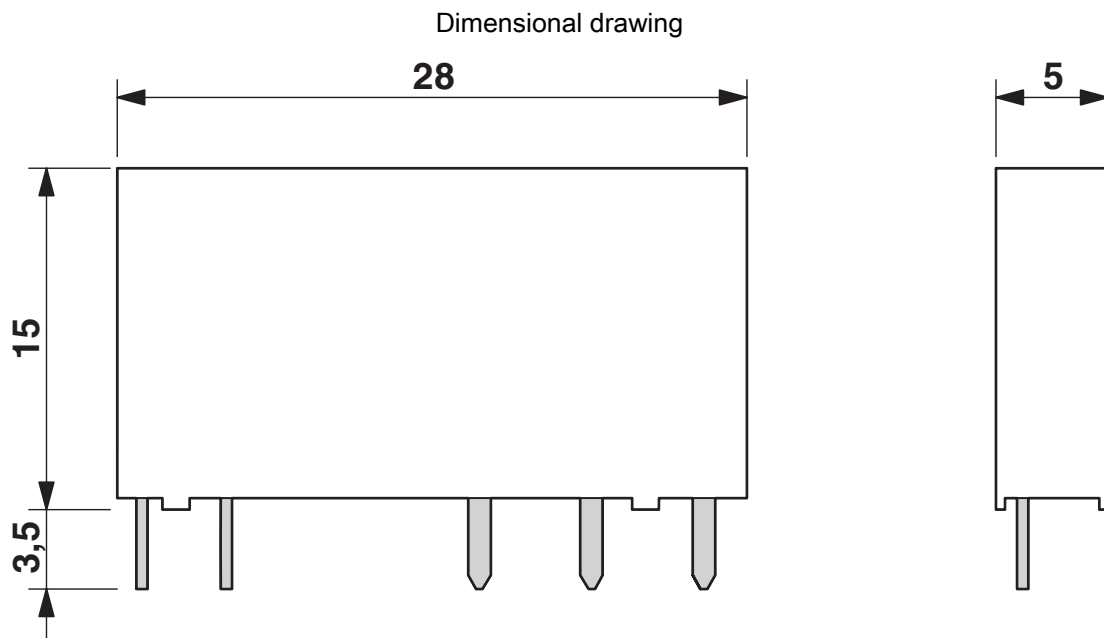
<https://www.phoenixcontact.com/in/products/2961134>

Drawings

Drilling plan/solder pad geometry



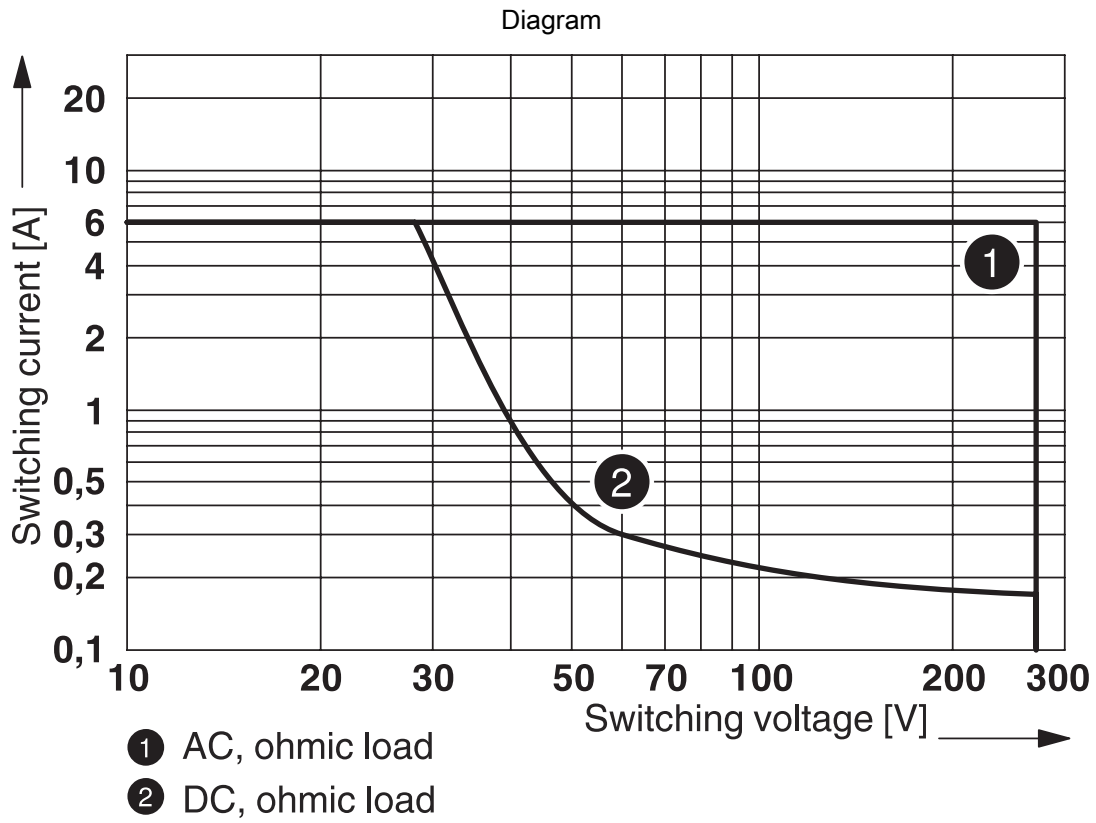
a = pitch division 1.25 mm and 1.27 mm



REL-MR- 60DC/21AU - Single relay

2961134

<https://www.phoenixcontact.com/in/products/2961134>

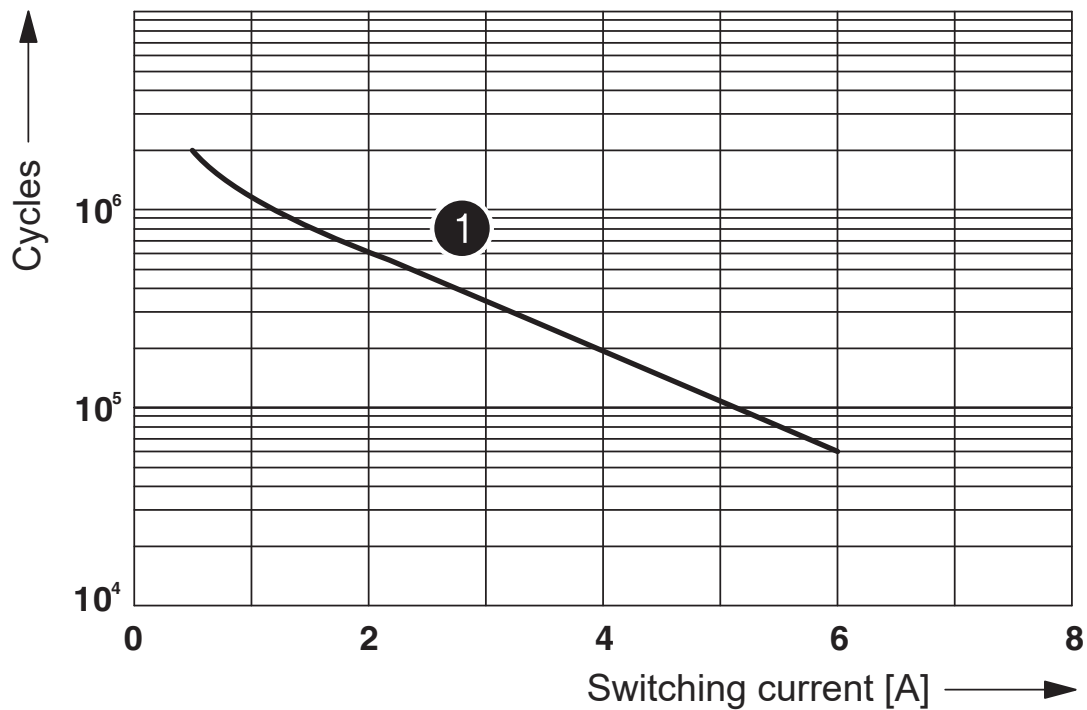


Interrupting rating

2961134

<https://www.phoenixcontact.com/in/products/2961134>

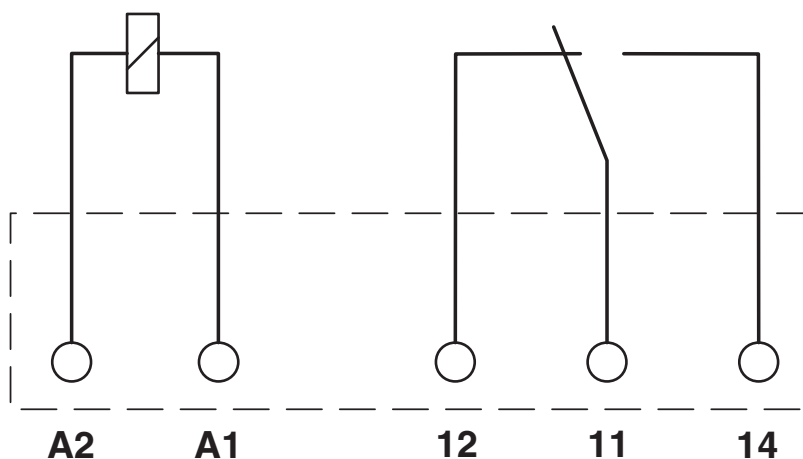
Diagram



① 250 V AC, ohmic load

Electrical service life

Circuit diagram



REL-MR- 60DC/21AU - Single relay



2961134

<https://www.phoenixcontact.com/in/products/2961134>

Approvals



cUL Recognized
Approval ID: FILE E 172140



UL Recognized
Approval ID: FILE E 172140



EAC
Approval ID: TR_TS_D_00573_c



UL Recognized
Approval ID: FILE E 172140



EAC
Approval ID: RU*C-DE.*08.B.00010



VDE Zeichengenehmigung
Approval ID: 40010212



VDE Zeichengenehmigung
Approval ID: 40032864



PRS
Approval ID: TE/2109/880590/16



cUL Recognized
Approval ID: FILE E 172140



VDE Zeichengenehmigung
Approval ID: 40054426



cUL Recognized
Approval ID: FILE E 172140



UL Recognized
Approval ID: FILE E 172140

REL-MR- 60DC/21AU - Single relay

2961134

<https://www.phoenixcontact.com/in/products/2961134>



REL-MR- 60DC/21AU - Single relay



2961134

<https://www.phoenixcontact.com/in/products/2961134>

Classifications

ECLASS

ECLASS-11.0	27371601
ECLASS-12.0	27371601
ECLASS-13.0	27371601

ETIM

ETIM 8.0	EC001437
----------	----------

UNSPSC

UNSPSC 21.0	39122300
-------------	----------

REL-MR- 60DC/21AU - Single relay



2961134

<https://www.phoenixcontact.com/in/products/2961134>

Environmental Product Compliance

China RoHS	Environmentally friendly use period: unlimited = EFUP-e
	No hazardous substances above threshold values

REL-MR- 60DC/21AU - Single relay

2961134

<https://www.phoenixcontact.com/in/products/2961134>



Accessories

PLC-BPIT- 60DC/21 - Relay base

2900279

<https://www.phoenixcontact.com/in/products/2900279>



6.2 mm PLC basic terminal block with Push-in connection, without relay or solid-state relay, for mounting on DIN rail NS 35/7,5, 1 changeover contact, input voltage 60 V DC

PLC-BSC- 60DC/21 - Relay base

2966100

<https://www.phoenixcontact.com/in/products/2966100>



6.2 mm PLC basic terminal block with screw connection, without relay or solid-state relay, for mounting on DIN rail NS 35/7,5, 1 changeover contact, input voltage 60 V DC

REL-MR- 60DC/21AU - Single relay

2961134

<https://www.phoenixcontact.com/in/products/2961134>

PLC-BPT-120UC/21 - Relay base

2900280

<https://www.phoenixcontact.com/in/products/2900280>



6.2 mm PLC basic terminal block with Push-in connection, without relay or solid-state relay, for mounting on DIN rail NS 35/7,5, 1 changeover contact, input voltage 120 V AC/DC

PLC-BSC-120UC/21 - Relay base

2966032

<https://www.phoenixcontact.com/in/products/2966032>



6.2 mm PLC basic terminal block with screw connection, without relay or solid-state relay, for mounting on DIN rail NS 35/7,5, 1 changeover contact, input voltage 120 V AC/DC

REL-MR- 60DC/21AU - Single relay

2961134

<https://www.phoenixcontact.com/in/products/2961134>



PLC-BSC-125DC/21 - Relay base

2980018

<https://www.phoenixcontact.com/in/products/2980018>



6.2 mm PLC basic terminal block with screw connection, without relay or solid-state relay, for mounting on DIN rail NS 35/7,5, 1 changeover contact, input voltage 125 V DC

PLC-BPT-230UC/21 - Relay base

2900281

<https://www.phoenixcontact.com/in/products/2900281>



6.2 mm PLC basic terminal block with Push-in connection, without relay or solid-state relay, for mounting on DIN rail NS 35/7,5, 1 changeover contact, input voltage 230 V AC/DC

REL-MR- 60DC/21AU - Single relay

2961134

<https://www.phoenixcontact.com/in/products/2961134>



PLC-BSC-230UC/21 - Relay base

2966045

<https://www.phoenixcontact.com/in/products/2966045>



6.2 mm PLC basic terminal block with screw connection, without relay or solid-state relay, for mounting on DIN rail NS 35/7,5, 1 changeover contact, input voltage 230 V AC/DC

PLC-BPT-120UC/ 1/SEN - Relay base

2900451

<https://www.phoenixcontact.com/in/products/2900451>



6.2 mm PLC basic terminal block for input functions with push-in connection, without relay or solid-state relay, for mounting on DIN rail NS 35/7,5, with sensor supply voltage distribution (BB), 1 N/O contact, input voltage 120 V AC/DC

REL-MR- 60DC/21AU - Single relay

2961134

<https://www.phoenixcontact.com/in/products/2961134>

PLC-BSC-120UC/ 1/SEN - Relay base

2966074

<https://www.phoenixcontact.com/in/products/2966074>



6.2 mm PLC basic terminal block for input functions with screw connection, without relay or solid-state relay, for mounting on DIN rail NS 35/7,5, with sensor supply voltage distribution (BB), 1 N/O contact, input voltage 120 V AC/DC

PLC-BPT-230UC/ 1/SEN - Relay base

2900452

<https://www.phoenixcontact.com/in/products/2900452>



6.2 mm PLC basic terminal block for input functions with push-in connection, without relay or solid-state relay, for mounting on DIN rail NS 35/7,5, with sensor supply voltage distribution (BB), 1 N/O contact, input voltage 230 V AC/DC

REL-MR- 60DC/21AU - Single relay

2961134

<https://www.phoenixcontact.com/in/products/2961134>

PLC-BSC-230UC/ 1/SEN - Relay base

2966087

<https://www.phoenixcontact.com/in/products/2966087>



6.2 mm PLC basic terminal block for input functions with screw connection, without relay or solid-state relay, for mounting on NS 35/7,5 DIN rail, with sensor supply voltage distribution (BB), 1 N/O contact, input voltage: 230 V AC/DC

PLC-BPT-120UC/21/SO46 - Relay base

2900453

<https://www.phoenixcontact.com/in/products/2900453>



6.2 mm PLC basic terminal block against interference currents/voltages on the control side with Push-in connection, without relay or solid-state relay, for mounting on DIN rail NS 35/7,5, with integrated RCZ filter, 1 changeover contact, input voltage 120 V AC

REL-MR- 60DC/21AU - Single relay

2961134

<https://www.phoenixcontact.com/in/products/2961134>



PLC-BSC-120UC/21/SO46 - Relay base

2980319

<https://www.phoenixcontact.com/in/products/2980319>



6.2 mm PLC basic terminal block with protection against interference currents/voltages on the control side, with screw connection, without relay or solid-state relay, for mounting on DIN rail NS 35/7,5, with integrated RCZ filter, 1 changeover contact, input voltage 120 V AC

PLC-BPT-230UC/21/SO46 - Relay base

2900455

<https://www.phoenixcontact.com/in/products/2900455>



6.2 mm PLC basic terminal block against interference currents/voltages on the control side with Push-in connection, without relay or solid-state relay, for mounting on DIN rail NS 35/7,5, with integrated RCZ filter, 1 changeover contact, input voltage 230 V AC

REL-MR- 60DC/21AU - Single relay

2961134

<https://www.phoenixcontact.com/in/products/2961134>

PLC-BSC-230UC/21/SO46 - Relay base

2980335

<https://www.phoenixcontact.com/in/products/2980335>



6.2 mm PLC basic terminal block with protection against interference currents/voltages on the control side, with screw connection, without relay or solid-state relay, for mounting on DIN rail NS 35/7,5, with integrated RCZ filter, 1 changeover contact, input voltage 230 V AC

PLC-BPT-120UC/ 1/SEN/SO46 - Relay base

2900456

<https://www.phoenixcontact.com/in/products/2900456>



6.2 mm PLC basic terminal block with interference current and interference voltage protection on the control side, with push-in connection, without relay or solid-state relay, with sensor supply voltage distribution (BB), 1 N/O contact, input voltage 120 V AC

REL-MR- 60DC/21AU - Single relay

2961134

<https://www.phoenixcontact.com/in/products/2961134>



PLC-BSC-120UC/ 1/SEN/SO46 - Relay base

2980322

<https://www.phoenixcontact.com/in/products/2980322>



6.2 mm PLC basic terminal block with interference current and interference voltage protection on the control side, with screw connection, without relay or solid-state relay, with sensor supply voltage distribution (BB), 1 N/O contact, input voltage 120 V AC

PLC-BPT-230UC/ 1/SEN/SO46 - Relay base

2900457

<https://www.phoenixcontact.com/in/products/2900457>



6.2 mm PLC basic terminal block with interference current and interference voltage protection on the control side, with push-in connection, without relay or solid-state relay, with sensor supply voltage distribution (BB), 1 N/O contact, input voltage 230 V AC

REL-MR- 60DC/21AU - Single relay

2961134

<https://www.phoenixcontact.com/in/products/2961134>



PLC-BSC-230UC/ 1/SEN/SO46 - Relay base

2980348

<https://www.phoenixcontact.com/in/products/2980348>



6.2 mm PLC basic terminal block with interference current and interference voltage protection on the control side, with screw connection, without relay or solid-state relay, with sensor supply voltage distribution (BB), 1 N/O contact, input voltage 230 V AC

Phoenix Contact 2023 © - all rights reserved

<https://www.phoenixcontact.com>

PHOENIX CONTACT (I) Pvt. Ltd.

A-58/2, Okhla Industrial Area, Phase - II, New Delhi-110 020

+91.1275.71420

info@phoenixcontact.co.in