

ME 45 OT-MSTBO GN - Upper part of housing



2909743

<https://www.phoenixcontact.com/pc/products/2909743>

Please be informed that the data shown in this PDF document is generated from our Online Catalog. Please find the complete data in the user documentation. Our General Terms of Use for Downloads are valid.

DIN rail housing, Upper housing part for connectors with header, width: 45.2 mm, height: 99 mm, depth: 45.85 mm, color: green (6021)



Your advantages

- Tool-free mounting
- Available in overall widths from 12.5 mm to 90 mm, modular extension possible
- Flammability rating V0 in accordance with UL 94
- Variety of connection technology
- Can be mounted on the DIN rail
- With integrated or DIN-rail-mountable bus connector as an option

Commercial Data

Item number	2909743
Packing unit	10 pc
Minimum order quantity	1 pc
Product Key	ACHAAD
Catalog Page	Page 671 (C-1-2013)
GTIN	4017918164232
Weight per Piece (including packing)	26.09 g
Weight per Piece (excluding packing)	19.14 g
Customs tariff number	85389099
Country of origin	DE

ME 45 OT-MSTBO GN - Upper part of housing

2909743

<https://www.phoenixcontact.com/pc/products/2909743>

Technical Data

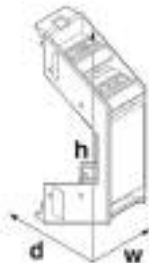
Notes

Assembly instruction:	Refer to the data sheet for the range in the download area.
-----------------------	---

Product properties

Product type	Upper housing part
Product family	ME...OT-MSTBO
Max. number of positions	40 (pitch: 3.5 mm) 32 (pitch: 5 mm) 24 (pitch: 7.25 mm)
Set comprises	2909905 ME 45 OT-MSTBO SET
Number of rows	2
Type	Upper housing part for connectors with header
Housing type	DIN rail housing
Ventilation openings present	no
Housing series	ME

Dimensions

Dimensional drawing	
Width	45.2 mm
Height	99 mm
Depth	45.85 mm
Depth from base support surface	38.5 mm

PCB design

PCB thickness	1.4 mm ... 1.8 mm
---------------	-------------------

Material specifications

Color	green (6021)
Flammability rating according to UL 94	V0
CTI according to IEC 60112	600
Surface characteristics	untreated
Housing material	Polyamide

Environmental and real-life conditions

ME 45 OT-MSTBO GN - Upper part of housing



2909743

<https://www.phoenixcontact.com/pc/products/2909743>

Vibration test

Specification	IEC 60068-2-6:2007-12
Frequency	10 - 150 - 10 Hz
Sweep speed	1 octave/min
Amplitude	0.15 mm (10 Hz ... 58.1 Hz)
Acceleration	2g (58.1 Hz ... 150 Hz)
Test duration per axis	2.5 h
Test directions	X-, Y- and Z-axis

Glow-wire test

Specification	IEC 60695-2-11:2014-02
Temperature	850 °C
Time of exposure	30 s

Thermal stability / ball thrust test

Specification	IEC 60695-10-2:2014-02
Temperature	125 °C
Test duration	1 h
Force	20 N

Mechanical strength / tumbling barrel

Specification	IEC 60998-1:2002-12
Height of fall	50 cm
Frequency	10

Shocks

Specification	IEC 60068-2-27:2008-02
Pulse shape	Half-sine
Acceleration	15g
Shock duration	11 ms
Number of shocks per direction	3
Test directions	X-, Y- and Z-axis (pos. and neg.)

Degree of protection (IP code)

Specification	IEC 60529:1989-11 + AMD 1:1999-11 + AMD 2:2013-08
---------------	---

Ambient conditions

Max. IP code to attain	IP20
Ambient temperature (operation)	-40 °C ... 105 °C (depending on power dissipation)
Ambient temperature (storage/transport)	-40 °C ... 55 °C
Ambient temperature (assembly)	-5 °C ... 100 °C
Relative humidity (storage/transport)	80 %

PCB data

Number of PCB holders	2
Type of PCB mount	Slot

ME 45 OT-MSTBO GN - Upper part of housing



2909743

<https://www.phoenixcontact.com/pc/products/2909743>

Thickness of the PCB	1.4 mm ... 1.8 mm
----------------------	-------------------

Mounting

Mounting type	Latching with lower housing part
Mounting position	Vertical (horizontal DIN rail)

Packaging specifications

Type of packaging	packed in cardboard
Outer packaging type	Carton

ME 45 OT-MSTBO GN - Upper part of housing

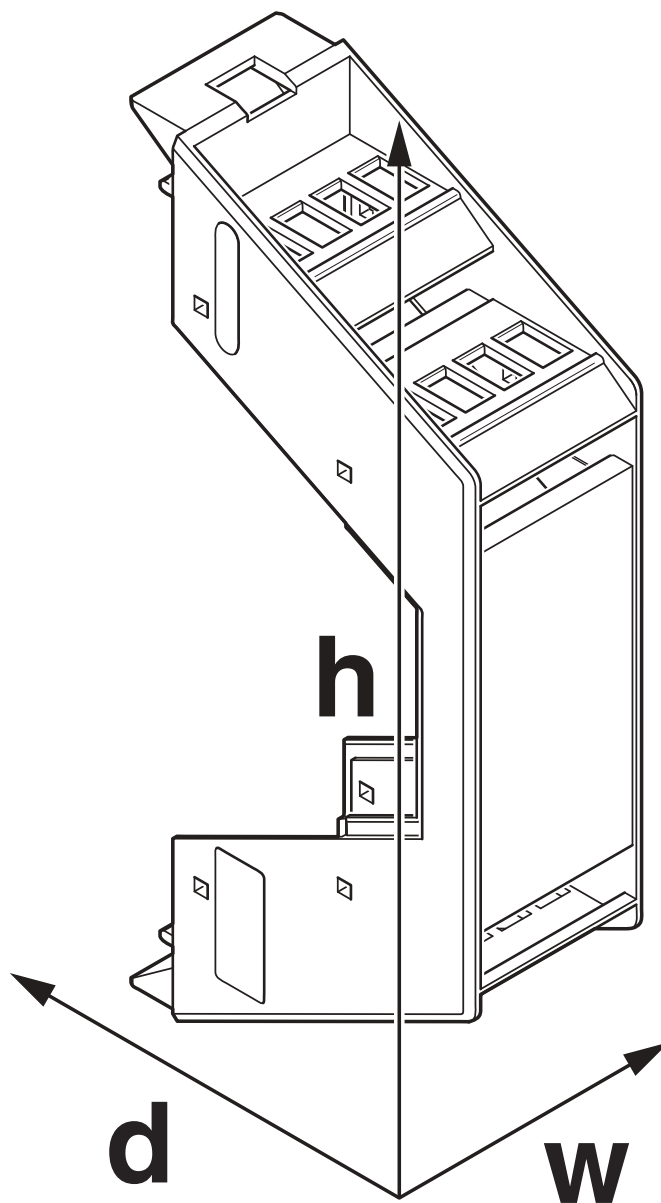
2909743

<https://www.phoenixcontact.com/pc/products/2909743>



Drawings

Dimensional drawing



Schematic figure for illustrating the item dimensions. The figure is not of the desired product. For further details, refer to the product drawings in the "Downloads" tab.

ME 45 OT-MSTBO GN - Upper part of housing

2909743

<https://www.phoenixcontact.com/pc/products/2909743>



Approvals



UL Recognized

Approval ID: FILE E 240868

ME 45 OT-MSTBO GN - Upper part of housing



2909743

<https://www.phoenixcontact.com/pc/products/2909743>

Classifications

ECLASS

ECLASS-11.0

27182702

ETIM

ETIM 8.0

EC001031

UNSPSC

UNSPSC 21.0

31261500

ME 45 OT-MSTBO GN - Upper part of housing



2909743

<https://www.phoenixcontact.com/pc/products/2909743>

Environmental Product Compliance

China RoHS	Environmentally friendly use period: unlimited = EFUP-e
	No hazardous substances above threshold values

ME 45 OT-MSTBO GN - Upper part of housing

2909743

<https://www.phoenixcontact.com/pc/products/2909743>

Mandatory Accessories

MCO 1,5/ 5-G1L-3,5 KMGY - PCB header

2278380

<https://www.phoenixcontact.com/pc/products/2278380>



PCB headers, nominal cross section: 1.5 mm², color: light grey, nominal current: 8 A, rated voltage (III/2): 160 V, contact surface: Tin, type of contact: Pin, number of potentials: 5, number of rows: 1, number of positions: 5, number of connections: 5, product range: MCO 1,5/..-G1L, pitch: 3.5 mm, mounting: Wave soldering, pin layout: Linear pinning, solder pin [P]: 2 mm, locking: without, type of packaging: packed in cardboard, Product with pin output on left side

MCO 1,5/ 5-G1R-3,5 KMGY - PCB header

2278351

<https://www.phoenixcontact.com/pc/products/2278351>



PCB headers, nominal cross section: 1.5 mm², color: light grey, nominal current: 8 A, rated voltage (III/2): 160 V, contact surface: Tin, type of contact: Pin, number of potentials: 5, number of rows: 1, number of positions: 5, number of connections: 5, product range: MCO 1,5/..-G1R, pitch: 3.5 mm, mounting: Wave soldering, pin layout: Linear pinning, solder pin [P]: 2 mm, locking: without, type of packaging: packed in cardboard, Product with pin output on right side

ME 45 OT-MSTBO GN - Upper part of housing

2909743

<https://www.phoenixcontact.com/pc/products/2909743>

MC 1,5/ 5-ST-3,5 GY7035 - PCB connector

1769087

<https://www.phoenixcontact.com/pc/products/1769087>



PCB connector, nominal cross section: 1.5 mm², color: light grey, nominal current: 8 A, rated voltage (III/2): 160 V, contact surface: Tin, type of contact: Socket, number of potentials: 5, number of rows: 1, number of positions: 5, number of connections: 5, product range: MC 1,5/...-ST, pitch: 3.5 mm, connection method: Screw connection with tension sleeve, screw head form: L Slotted, conductor/PCB connection direction: 0 °, plug-in system: COMBICON MC 1,5, locking: without, mounting: without, type of packaging: packed in cardboard

MC 1,5/ 5-ST-3,5 - PCB connector

1840395

<https://www.phoenixcontact.com/pc/products/1840395>



PCB connector, nominal cross section: 1.5 mm², color: green, nominal current: 8 A, rated voltage (III/2): 160 V, contact surface: Tin, type of contact: Socket, number of potentials: 5, number of rows: 1, number of positions: 5, number of connections: 5, product range: MC 1,5/...-ST, pitch: 3.5 mm, connection method: Screw connection with tension sleeve, screw head form: L Slotted, conductor/PCB connection direction: 0 °, plug-in system: COMBICON MC 1,5, locking: without, mounting: without, type of packaging: packed in cardboard

ME 45 OT-MSTBO GN - Upper part of housing

2909743

<https://www.phoenixcontact.com/pc/products/2909743>



MC 1,5/ 5-ST-3,5 BU - PCB connector

1072487

<https://www.phoenixcontact.com/pc/products/1072487>



PCB connector, nominal cross section: 1.5 mm², color: blue, nominal current: 8 A, rated voltage (III/2): 160 V, contact surface: Tin, type of contact: Socket, number of rows: 1, number of positions: 5, product range: MC 1,5/..-ST, pitch: 3.5 mm, connection method: Screw connection with tension sleeve, screw head form: L Slotted, conductor/PCB connection direction: 0 °, plug-in system: COMBICON MC 1,5, locking: without, mounting: without, type of packaging: packed in cardboard

MC 1,5/ 5-ST-3,5 GY7031 - PCB connector

1711176

<https://www.phoenixcontact.com/pc/products/1711176>



PCB connector, nominal cross section: 1.5 mm², color: blue grey, nominal current: 8 A, rated voltage (III/2): 160 V, contact surface: Tin, type of contact: Socket, number of potentials: 5, number of rows: 1, number of positions: 5, number of connections: 5, product range: MC 1,5/..-ST, pitch: 3.5 mm, connection method: Screw connection with tension sleeve, screw head form: L Slotted, conductor/PCB connection direction: 0 °, plug-in system: COMBICON MC 1,5, locking: without, mounting: without, type of packaging: packed in cardboard

ME 45 OT-MSTBO GN - Upper part of housing

2909743

<https://www.phoenixcontact.com/pc/products/2909743>



MC 1,5/ 5-ST-3,5 BK - PCB connector

1876343

<https://www.phoenixcontact.com/pc/products/1876343>



PCB connector, nominal cross section: 1.5 mm², color: black, nominal current: 8 A, rated voltage (III/2): 160 V, contact surface: Tin, type of contact: Socket, number of potentials: 5, number of rows: 1, number of positions: 5, number of connections: 5, product range: MC 1,5/..-ST, pitch: 3.5 mm, connection method: Screw connection with tension sleeve, screw head form: L Slotted, conductor/PCB connection direction: 0 °, plug-in system: COMBICON MC 1,5, locking: without, mounting: without, type of packaging: packed in cardboard

FMC 1,5/ 5-ST-3,5 - Printed-circuit board connector

1952296

<https://www.phoenixcontact.com/pc/products/1952296>



PCB connector, nominal cross section: 1.5 mm², color: green, nominal current: 8 A, rated voltage (III/2): 160 V, contact surface: Tin, type of contact: Socket, number of potentials: 5, number of rows: 1, number of positions: 5, number of connections: 5, product range: FMC 1,5/..-ST, pitch: 3.5 mm, connection method: Push-in spring connection, conductor/PCB connection direction: 0 °, plug-in system: COMBICON MC 1,5, locking: without, mounting: without, type of packaging: packed in cardboard

ME 45 OT-MSTBO GN - Upper part of housing

2909743

<https://www.phoenixcontact.com/pc/products/2909743>

FMC 1,5/ 5-ST-3,5 YE - Printed-circuit board connector

1048844

<https://www.phoenixcontact.com/pc/products/1048844>



PCB connector, nominal cross section: 1.5 mm², color: yellow, nominal current: 8 A, rated voltage (III/2): 160 V, contact surface: Tin, type of contact: Socket, number of potentials: 5, number of rows: 1, number of positions: 5, number of connections: 5, product range: FMC 1,5/..-ST, pitch: 3.5 mm, connection method: Push-in spring connection, conductor/PCB connection direction: 0 °, plug-in system: COMBICON MC 1,5, locking: without, mounting: without, type of packaging: packed in cardboard

FMC 1,5/ 5-ST-3,5 GY AU - Printed-circuit board connector

1746644

<https://www.phoenixcontact.com/pc/products/1746644>



PCB connector, nominal cross section: 1.5 mm², color: gray, nominal current: 8 A, rated voltage (III/2): 160 V, contact surface: Gold, type of contact: Socket, number of potentials: 5, number of rows: 1, number of positions: 5, number of connections: 5, product range: FMC 1,5/..-ST, pitch: 3.5 mm, connection method: Push-in spring connection, conductor/PCB connection direction: 0 °, plug-in system: COMBICON MC 1,5, locking: without, mounting: without, type of packaging: packed in cardboard

ME 45 OT-MSTBO GN - Upper part of housing

2909743

<https://www.phoenixcontact.com/pc/products/2909743>



FMC 1,5/ 5-ST-3,5 BK - Printed-circuit board connector

1705000

<https://www.phoenixcontact.com/pc/products/1705000>



PCB connector, nominal cross section: 1.5 mm², color: black, nominal current: 8 A, rated voltage (III/2): 160 V, contact surface: Tin, type of contact: Socket, number of potentials: 5, number of rows: 1, number of positions: 5, number of connections: 5, product range: FMC 1,5/..-ST, pitch: 3.5 mm, connection method: Push-in spring connection, conductor/PCB connection direction: 0 °, plug-in system: COMBICON MC 1,5, locking: without, mounting: without, type of packaging: packed in cardboard

FMC 1,5/ 5-ST-3,5 GY - Printed-circuit board connector

1729328

<https://www.phoenixcontact.com/pc/products/1729328>



PCB connector, nominal cross section: 1.5 mm², color: gray, nominal current: 8 A, rated voltage (III/2): 160 V, contact surface: Tin, type of contact: Socket, number of potentials: 5, number of rows: 1, number of positions: 5, number of connections: 5, product range: FMC 1,5/..-ST, pitch: 3.5 mm, connection method: Push-in spring connection, conductor/PCB connection direction: 0 °, plug-in system: COMBICON MC 1,5, locking: without, mounting: without, type of packaging: packed in cardboard

ME 45 OT-MSTBO GN - Upper part of housing

2909743

<https://www.phoenixcontact.com/pc/products/2909743>

FMC 1,5/ 5-ST-3,5 GY7035 - Printed-circuit board connector

1773581

<https://www.phoenixcontact.com/pc/products/1773581>



PCB connector, nominal cross section: 1.5 mm², color: light grey, nominal current: 8 A, rated voltage (III/2): 160 V, contact surface: Tin, type of contact: Socket, number of potentials: 5, number of rows: 1, number of positions: 5, number of connections: 5, product range: FMC 1,5/..-ST, pitch: 3.5 mm, connection method: Push-in spring connection, conductor/PCB connection direction: 0 °, plug-in system: COMBICON MC 1,5, locking: without, mounting: without, type of packaging: packed in cardboard

FK-MCP 1,5/ 5-ST-3,5 - PCB connector

1939947

<https://www.phoenixcontact.com/pc/products/1939947>



PCB connector, nominal cross section: 1.5 mm², color: green, nominal current: 8 A, rated voltage (III/2): 160 V, contact surface: Tin, type of contact: Socket, number of potentials: 5, number of rows: 1, number of positions: 5, number of connections: 5, product range: FK-MCP 1,5/..-ST, pitch: 3.5 mm, connection method: Push-in spring connection, conductor/PCB connection direction: 0 °, plug-in system: COMBICON MC 1,5, locking: without, mounting: without, type of packaging: packed in cardboard

ME 45 OT-MSTBO GN - Upper part of housing

2909743

<https://www.phoenixcontact.com/pc/products/2909743>

FK-MCP 1,5/ 5-ST-3,5 GY7035 - PCB connector

1773604

<https://www.phoenixcontact.com/pc/products/1773604>



PCB connector, nominal cross section: 1.5 mm², color: light grey, nominal current: 8 A, rated voltage (III/2): 160 V, contact surface: Tin, type of contact: Socket, number of potentials: 5, number of rows: 1, number of positions: 5, number of connections: 5, product range: FK-MCP 1,5/..-ST, pitch: 3.5 mm, connection method: Push-in spring connection, conductor/PCB connection direction: 0 °, plug-in system: COMBICON MC 1,5, locking: without, mounting: without, type of packaging: packed in cardboard

FK-MCP 1,5/ 5-ST-3,5 BK - PCB connector

1800274

<https://www.phoenixcontact.com/pc/products/1800274>



PCB connector, nominal cross section: 1.5 mm², color: black, nominal current: 8 A, rated voltage (III/2): 160 V, contact surface: Tin, type of contact: Socket, number of potentials: 5, number of rows: 1, number of positions: 5, number of connections: 5, product range: FK-MCP 1,5/..-ST, pitch: 3.5 mm, connection method: Push-in spring connection, conductor/PCB connection direction: 0 °, plug-in system: COMBICON MC 1,5, locking: without, mounting: without, type of packaging: packed in cardboard

ME 45 OT-MSTBO GN - Upper part of housing

2909743

<https://www.phoenixcontact.com/pc/products/2909743>

FK-MCP 1,5/ 5-ST-3,5 GY7031 - PCB connector

1705329

<https://www.phoenixcontact.com/pc/products/1705329>



PCB connector, nominal cross section: 1.5 mm², color: blue grey, nominal current: 8 A, rated voltage (III/2): 160 V, contact surface: Tin, type of contact: Socket, number of potentials: 5, number of rows: 1, number of positions: 5, number of connections: 5, product range: FK-MCP 1,5/...-ST, pitch: 3.5 mm, connection method: Push-in spring connection, conductor/PCB connection direction: 0 °, plug-in system: COMBICON MC 1,5, locking: without, mounting: without, type of packaging: packed in cardboard

FK-MCP 1,5/ 5-ST-3,5 YE - PCB connector

1096427

<https://www.phoenixcontact.com/pc/products/1096427>



PCB connector, nominal cross section: 1.5 mm², color: yellow, nominal current: 8 A, rated voltage (III/2): 160 V, contact surface: Tin, type of contact: Socket, number of rows: 1, number of positions: 5, product range: FK-MCP 1,5/...-ST, pitch: 3.5 mm, connection method: Push-in spring connection, conductor/PCB connection direction: 0 °, plug-in system: COMBICON MC 1,5, locking: without, mounting: without, type of packaging: packed in cardboard

ME 45 OT-MSTBO GN - Upper part of housing

2909743

<https://www.phoenixcontact.com/pc/products/2909743>



MSTBO 2,5/ 4-G1L - PCB header

1861060

<https://www.phoenixcontact.com/pc/products/1861060>



PCB headers, nominal cross section: 2.5 mm², color: green, nominal current: 12 A, rated voltage (III/2): 320 V, contact surface: Tin, type of contact: Pin, number of potentials: 4, number of rows: 1, number of positions: 4, number of connections: 4, product range: MSTBO 2,5/..-G1L, pitch: 5 mm, mounting: Wave soldering, pin layout: Linear pinning, solder pin [P]: 3.5 mm, number of solder pins per potential: 1, plug-in system: COMBICON MSTB 2,5, locking: without, type of packaging: packed in cardboard, Product with pin output on left side

MSTBO 2,5/ 4-G1L THRR44 BK AU - PCB header

1077613

<https://www.phoenixcontact.com/pc/products/1077613>



PCB headers, color: black, contact surface: Gold, type of contact: Pin, number of positions: 4, product range: MSTBO 2,5/..-G1L THR Au, pitch: 5 mm, mounting: THR soldering, pin layout: Linear pinning, solder pin [P]: 2.5 mm, number of solder pins per potential: 1, plug-in system: COMBICON MSTB 2,5, type of packaging: 44 mm wide tape, Article with lateral pin exit

ME 45 OT-MSTBO GN - Upper part of housing

2909743

<https://www.phoenixcontact.com/pc/products/2909743>

MSTBO 2,5/ 4-G1L THRR44 BK - PCB header

2697194

<https://www.phoenixcontact.com/pc/products/2697194>



PCB headers, nominal cross section: 2.5 mm², color: black, nominal current: 16 A, rated voltage (III/2): 320 V, contact surface: Tin, type of contact: Pin, number of rows: 1, number of positions: 4, product range: MSTBO 2,5/..-G1L-THR, pitch: 5 mm, mounting: THR soldering, pin layout: Linear pinning, solder pin [P]: 2.5 mm, number of solder pins per potential: 1, plug-in system: COMBICON MSTB 2,5, locking: without, type of packaging: 44 mm wide tape, Product with pin output on left side

MSTBO 2,5/ 4-G1L THR BK - PCB header

2709749

<https://www.phoenixcontact.com/pc/products/2709749>



PCB headers, nominal cross section: 2.5 mm², color: black, nominal current: 16 A, rated voltage (III/2): 320 V, type of contact: Pin, number of rows: 1, number of positions: 4, product range: MSTBO 2,5/..-G1L-THR, pitch: 5 mm, mounting: THR soldering, pin layout: Linear pinning, solder pin [P]: 2.5 mm, number of solder pins per potential: 1, plug-in system: COMBICON MSTB 2,5, locking: without, type of packaging: Box packaging, Product with pin output on left side

ME 45 OT-MSTBO GN - Upper part of housing

2909743

<https://www.phoenixcontact.com/pc/products/2909743>



MSTBO 2,5/ 4-G1L KMGY AU - PCB header

1077607

<https://www.phoenixcontact.com/pc/products/1077607>



PCB headers, color: light grey, contact surface: Gold, type of contact: Pin, number of rows: 1, number of positions: 4, product range: MSTBO 2,5/..-G1L Au, pitch: 5 mm, mounting: Wave soldering, pin layout: Linear pinning, solder pin [P]: 3.5 mm, number of solder pins per potential: 1, plug-in system: COMBICON MSTB 2,5, Pin connector pattern alignment: Orthogonal, locking: without, type of packaging: packed in cardboard, Product with pin output on left side

MSTBO 2,5/ 4-G1L KMGY - PCB header

2907774

<https://www.phoenixcontact.com/pc/products/2907774>



PCB headers, nominal cross section: 2.5 mm², color: light grey, nominal current: 12 A, rated voltage (III/2): 320 V, contact surface: Tin, type of contact: Pin, number of potentials: 4, number of rows: 1, number of positions: 4, number of connections: 4, product range: MSTBO 2,5/..-G1L, pitch: 5 mm, mounting: Wave soldering, pin layout: Linear pinning, solder pin [P]: 3.5 mm, number of solder pins per potential: 1, plug-in system: COMBICON MSTB 2,5, locking: without, type of packaging: packed in cardboard, Product with pin output on left side

ME 45 OT-MSTBO GN - Upper part of housing

2909743

<https://www.phoenixcontact.com/pc/products/2909743>



MSTBO 2,5/ 4-G1L OG - PCB header

2200383

<https://www.phoenixcontact.com/pc/products/2200383>



PCB headers, nominal cross section: 2.5 mm², color: orange, nominal current: 12 A, rated voltage (III/2): 320 V, type of contact: Pin, number of rows: 1, number of positions: 4, product range: MSTBO 2,5/..-G1L, pitch: 5 mm, mounting: Wave soldering, pin layout: Linear pinning, solder pin [P]: 3.5 mm, number of solder pins per potential: 1, plug-in system: COMBICON MSTB 2,5, locking: without, type of packaging: packed in cardboard, Product with pin output on left side

MSTBO 2,5/ 4-G1R - PCB header

1861073

<https://www.phoenixcontact.com/pc/products/1861073>



PCB headers, nominal cross section: 2.5 mm², color: green, nominal current: 12 A, rated voltage (III/2): 320 V, contact surface: Tin, type of contact: Pin, number of potentials: 4, number of rows: 1, number of positions: 4, number of connections: 4, product range: MSTBO 2,5/..-G1R, pitch: 5 mm, mounting: Wave soldering, pin layout: Linear pinning, solder pin [P]: 3.5 mm, number of solder pins per potential: 1, plug-in system: COMBICON MSTB 2,5, locking: without, type of packaging: packed in cardboard, Product with pin output on right side

ME 45 OT-MSTBO GN - Upper part of housing

2909743

<https://www.phoenixcontact.com/pc/products/2909743>

MSTBO 2,5/ 4-G1R THR BK - PCB header

2709752

<https://www.phoenixcontact.com/pc/products/2709752>



PCB headers, nominal cross section: 2.5 mm², color: black, nominal current: 16 A, rated voltage (III/2): 320 V, type of contact: Pin, number of rows: 1, number of positions: 4, product range: MSTBO 2,5/..-G1R-THR, pitch: 5 mm, mounting: THR soldering, pin layout: Linear pinning, solder pin [P]: 2.5 mm, number of solder pins per potential: 1, plug-in system: COMBICON MSTB 2,5, locking: without, type of packaging: Box packaging, Product with pin output on right side

MSTBO 2,5/ 4-G1R THRR44 BK AU - PCB header

1077614

<https://www.phoenixcontact.com/pc/products/1077614>



PCB headers, color: black, contact surface: Gold, type of contact: Pin, number of positions: 4, product range: MSTBO 2,5/..-G1R THR Au, pitch: 5 mm, mounting: THR soldering, pin layout: Linear pinning, solder pin [P]: 2.5 mm, number of solder pins per potential: 1, plug-in system: COMBICON MSTB 2,5, type of packaging: 44 mm wide tape, Product with pin output on right side

ME 45 OT-MSTBO GN - Upper part of housing

2909743

<https://www.phoenixcontact.com/pc/products/2909743>



MSTBO 2,5/ 4-G1R THRR44 BK - PCB header

2697204

<https://www.phoenixcontact.com/pc/products/2697204>



PCB headers, nominal cross section: 2.5 mm², color: black, nominal current: 16 A, rated voltage (III/2): 320 V, contact surface: Tin, type of contact: Pin, number of rows: 1, number of positions: 4, product range: MSTBO 2,5/..-G1R-THR, pitch: 5 mm, mounting: THR soldering, pin layout: Linear pinning, solder pin [P]: 2.5 mm, number of solder pins per potential: 1, plug-in system: COMBICON MSTB 2,5, locking: without, type of packaging: 44 mm wide tape, Product with pin output on right side

MSTBO 2,5/ 4-G1R KMGY AU - PCB header

1077608

<https://www.phoenixcontact.com/pc/products/1077608>



PCB headers, color: light grey, contact surface: Gold, type of contact: Pin, number of rows: 1, number of positions: 4, product range: MSTBO 2,5/..-G1R Au, pitch: 5 mm, mounting: Wave soldering, pin layout: Linear pinning, solder pin [P]: 3.5 mm, number of solder pins per potential: 1, plug-in system: COMBICON MSTB 2,5, Pin connector pattern alignment: Orthogonal, locking: without, type of packaging: packed in cardboard, Product with pin output on right side

ME 45 OT-MSTBO GN - Upper part of housing

2909743

<https://www.phoenixcontact.com/pc/products/2909743>

MSTBO 2,5/ 4-G1R KMGY - PCB header

2907787

<https://www.phoenixcontact.com/pc/products/2907787>



PCB headers, nominal cross section: 2.5 mm², color: light grey, nominal current: 12 A, rated voltage (III/2): 320 V, contact surface: Tin, type of contact: Pin, number of potentials: 4, number of rows: 1, number of positions: 4, number of connections: 4, product range: MSTBO 2,5/..-G1R, pitch: 5 mm, mounting: Wave soldering, pin layout: Linear pinning, solder pin [P]: 3.5 mm, number of solder pins per potential: 1, plug-in system: COMBICON MSTB 2,5, locking: without, type of packaging: packed in cardboard, Product with pin output on right side

MSTBO 2,5/ 4-G1R OG - PCB header

2200384

<https://www.phoenixcontact.com/pc/products/2200384>



PCB headers, nominal cross section: 2.5 mm², color: orange, nominal current: 12 A, rated voltage (III/2): 320 V, type of contact: Pin, number of potentials: 4, number of rows: 1, number of positions: 4, number of connections: 4, product range: MSTBO 2,5/..-G1R, pitch: 5 mm, mounting: Wave soldering, pin layout: Linear pinning, solder pin [P]: 3.5 mm, number of solder pins per potential: 1, plug-in system: COMBICON MSTB 2,5, locking: without, type of packaging: packed in cardboard, Product with pin output on right side

ME 45 OT-MSTBO GN - Upper part of housing

2909743

<https://www.phoenixcontact.com/pc/products/2909743>



MSTBO 2,5/ 4-G1PL GY7035 - PCB header

2200325

<https://www.phoenixcontact.com/pc/products/2200325>



PCB headers, nominal cross section: 2.5 mm², color: light grey, nominal current: 16 A, rated voltage (III/2): 320 V, contact surface: Tin, type of contact: Pin, number of rows: 1, number of positions: 4, product range: MSTBO 2,5/...-G1PL, pitch: 5 mm, mounting: Wave soldering, pin layout: Linear pinning, solder pin [P]: 3.5 mm, number of solder pins per potential: 1, plug-in system: COMBICON MSTB 2,5, locking: without, type of packaging: packed in cardboard, Product with pin output on left side

MSTBO 2,5/ 4-G1PL BK - PCB header

2200485

<https://www.phoenixcontact.com/pc/products/2200485>



PCB headers, nominal cross section: 2.5 mm², color: black, nominal current: 16 A, rated voltage (III/2): 320 V, contact surface: Tin, type of contact: Pin, number of rows: 1, number of positions: 4, product range: MSTBO 2,5/...-G1PL, pitch: 5 mm, mounting: Wave soldering, solder pin [P]: 3.5 mm, number of solder pins per potential: 1, plug-in system: COMBICON MSTB 2,5, locking: without, type of packaging: packed in cardboard, Product with pin output on left side

ME 45 OT-MSTBO GN - Upper part of housing

2909743

<https://www.phoenixcontact.com/pc/products/2909743>



MSTBO 2,5/ 4-G1PL BUGY - PCB header

2200551

<https://www.phoenixcontact.com/pc/products/2200551>



PCB headers, nominal cross section: 2.5 mm², color: blue grey, nominal current: 16 A, rated voltage (III/2): 320 V, type of contact: Pin, number of rows: 1, number of positions: 4, product range: MSTBO 2,5/..-G1PL, pitch: 5 mm, mounting: Wave soldering, pin layout: Linear pinning, solder pin [P]: 3.5 mm, number of solder pins per potential: 1, plug-in system: COMBICON MSTB 2,5, locking: without, type of packaging: packed in cardboard, Product with pin output on left side

MSTBO 2,5/ 4-G1PR BK - PCB header

2200486

<https://www.phoenixcontact.com/pc/products/2200486>



PCB headers, nominal cross section: 2.5 mm², color: black, nominal current: 16 A, rated voltage (III/2): 320 V, contact surface: Tin, type of contact: Pin, number of rows: 1, number of positions: 4, product range: MSTBO 2,5/..-G1PR, pitch: 5 mm, mounting: Wave soldering, pin layout: Linear pinning, solder pin [P]: 3.5 mm, number of solder pins per potential: 1, plug-in system: COMBICON MSTB 2,5, locking: without, type of packaging: packed in cardboard, Product with pin output on right side

ME 45 OT-MSTBO GN - Upper part of housing

2909743

<https://www.phoenixcontact.com/pc/products/2909743>

MSTBO 2,5/ 4-G1PR GY7035 - PCB header

2200326

<https://www.phoenixcontact.com/pc/products/2200326>



PCB headers, nominal cross section: 2.5 mm², color: light grey, nominal current: 16 A, rated voltage (III/2): 320 V, contact surface: Tin, type of contact: Pin, number of rows: 1, number of positions: 4, product range: MSTBO 2,5/..-G1PR, pitch: 5 mm, mounting: Wave soldering, pin layout: Linear pinning, solder pin [P]: 3.5 mm, number of solder pins per potential: 1, plug-in system: COMBICON MSTB 2,5, locking: without, type of packaging: packed in cardboard, Product with pin output on right side

MSTBO 2,5/ 4-G1PR BUGY - PCB header

2200552

<https://www.phoenixcontact.com/pc/products/2200552>



PCB headers, nominal cross section: 2.5 mm², color: blue grey, nominal current: 16 A, rated voltage (III/2): 320 V, type of contact: Pin, number of rows: 1, number of positions: 4, product range: MSTBO 2,5/..-G1PR, pitch: 5 mm, mounting: Wave soldering, pin layout: Linear pinning, solder pin [P]: 3.5 mm, number of solder pins per potential: 1, plug-in system: COMBICON MSTB 2,5, locking: without, type of packaging: packed in cardboard, Product with pin output on right side

ME 45 OT-MSTBO GN - Upper part of housing

2909743

<https://www.phoenixcontact.com/pc/products/2909743>



PSPT 2,5/ 4-ST KMGY - Printed-circuit board connector

2202344

<https://www.phoenixcontact.com/pc/products/2202344>



PCB connector, nominal cross section: 2.5 mm², color: light grey, nominal current: 16 A, rated voltage (III/2): 300 V, contact surface: Tin, type of contact: Socket, number of potentials: 4, number of rows: 1, number of positions: 4, number of connections: 4, product range: PSPT 2,5/..-ST, pitch: 5 mm, connection method: Push-in spring connection, conductor/PCB connection direction: 0 °, locking clip: - Locking clip, locking: without, mounting: without, type of packaging: packed in cardboard, Color of the spring lever: orange

PSPT 2,5/ 4-ST BU - Printed-circuit board connector

1036975

<https://www.phoenixcontact.com/pc/products/1036975>



PCB connector, nominal cross section: 2.5 mm², color: blue, nominal current: 16 A, rated voltage (III/2): 300 V, type of contact: Socket, number of rows: 1, number of positions: 4, product range: PSPT 2,5/..-ST, pitch: 5 mm, connection method: Push-in spring connection, conductor/PCB connection direction: 0 °, locking clip: - Locking clip, locking: without, mounting: without, Color of the spring lever: orange

ME 45 OT-MSTBO GN - Upper part of housing

2909743

<https://www.phoenixcontact.com/pc/products/2909743>



PSPT 2,5/ 4-ST GY - Printed-circuit board connector

1036976

<https://www.phoenixcontact.com/pc/products/1036976>



PCB connector, nominal cross section: 2.5 mm², color: gray, nominal current: 16 A, rated voltage (III/2): 300 V, type of contact: Socket, number of rows: 1, number of positions: 4, product range: PSPT 2,5/..-ST, pitch: 5 mm, connection method: Push-in spring connection, conductor/PCB connection direction: 0 °, locking clip: - Locking clip, locking: without, mounting: without

PSPT 2,5/ 4-ST BK - Printed-circuit board connector

2202757

<https://www.phoenixcontact.com/pc/products/2202757>



PCB connector, nominal cross section: 2.5 mm², color: black, nominal current: 16 A, rated voltage (III/2): 300 V, contact surface: Tin, type of contact: Socket, number of potentials: 4, number of rows: 1, number of positions: 4, number of connections: 4, product range: PSPT 2,5/..-ST, pitch: 5 mm, connection method: Push-in spring connection, conductor/PCB connection direction: 0 °, locking clip: - Locking clip, locking: without, mounting: without, type of packaging: packed in cardboard, Color of the spring lever: orange

ME 45 OT-MSTBO GN - Upper part of housing

2909743

<https://www.phoenixcontact.com/pc/products/2909743>

MSTBT 2,5 HC/ 4-STP BK - Printed-circuit board connector

2200482

<https://www.phoenixcontact.com/pc/products/2200482>



PCB connector, nominal cross section: 2.5 mm², color: black, nominal current: 16 A, rated voltage (III/2): 320 V, contact surface: Tin, type of contact: Socket, number of rows: 1, number of positions: 4, product range: MSTBT 2,5 HC/..-STP, pitch: 5 mm, connection method: Screw connection with tension sleeve, conductor/PCB connection direction: 0 °, locking clip: - Locking clip, plug-in system: COMBICON MSTB 2,5 HC, locking: without, mounting: without, type of packaging: packed in cardboard

MSTBT 2,5 HC/ 4-STP GY7035 - Printed-circuit board connector

2200332

<https://www.phoenixcontact.com/pc/products/2200332>



PCB connector, nominal cross section: 2.5 mm², color: light grey, nominal current: 16 A, rated voltage (III/2): 320 V, contact surface: Tin, type of contact: Socket, number of rows: 1, number of positions: 4, product range: MSTBT 2,5 HC/..-STP, pitch: 5 mm, connection method: Screw connection with tension sleeve, conductor/PCB connection direction: 0 °, locking clip: - Locking clip, plug-in system: COMBICON MSTB 2,5 HC, locking: without, mounting: without

ME 45 OT-MSTBO GN - Upper part of housing

2909743

<https://www.phoenixcontact.com/pc/products/2909743>

MSTBT 2,5 HC/ 4-STP BU - Printed-circuit board connector

1009166

<https://www.phoenixcontact.com/pc/products/1009166>



PCB connector, nominal cross section: 2.5 mm², color: blue, nominal current: 16 A, rated voltage (III/2): 320 V, contact surface: Tin, type of contact: Socket, number of rows: 1, number of positions: 4, product range: MSTBT 2,5 HC/...-STP, pitch: 5 mm, connection method: Screw connection with tension sleeve, conductor/PCB connection direction: 0 °, locking clip: - Locking clip, plug-in system: COMBICON MSTB 2,5 HC, locking: without, mounting: without

MSTBT 2,5 HC/ 4-STP BUGY - Printed-circuit board connector

2201085

<https://www.phoenixcontact.com/pc/products/2201085>



PCB connector, nominal cross section: 2.5 mm², color: blue, nominal current: 16 A, rated voltage (III/2): 320 V, type of contact: Socket, number of rows: 1, number of positions: 4, product range: MSTBT 2,5 HC/...-STP, pitch: 5 mm, connection method: Screw connection with tension sleeve, conductor/PCB connection direction: 0 °, locking clip: - Locking clip, plug-in system: COMBICON MSTB 2,5 HC, locking: without, mounting: without

ME 45 OT-MSTBO GN - Upper part of housing

2909743

<https://www.phoenixcontact.com/pc/products/2909743>

GMSTBO 2,5 HV/ 3-GL-7,25 THR - PCB header

2199663

<https://www.phoenixcontact.com/pc/products/2199663>



PCB headers, nominal cross section: 2.5 mm², color: black, nominal current: 16 A, rated voltage (III/2): 630 V, type of contact: Pin, number of potentials: 3, number of rows: 1, number of positions: 3, number of connections: 3, product range: GMSTBO 2,5 HV, pitch: 7.25 mm, mounting: THR soldering, pin layout: Linear pinning, solder pin [P]: 2.1 mm, number of solder pins per potential: 1, plug-in system: COMBICON MSTB 2,5, Pin connector pattern alignment: Standard, type of packaging: packed in cardboard, Product with pin output on left side

GMSTBO 2,5 HV/3-GL-7,25 THRR44 - PCB header

2200263

<https://www.phoenixcontact.com/pc/products/2200263>



PCB headers, nominal cross section: 2.5 mm², color: black, nominal current: 16 A, rated voltage (III/2): 630 V, type of contact: Pin, number of potentials: 3, number of rows: 1, number of positions: 3, number of connections: 3, product range: GMSTBO 2,5 HV, pitch: 7.25 mm, mounting: THR soldering, pin layout: Linear pinning, solder pin [P]: 2.1 mm, number of solder pins per potential: 1, plug-in system: COMBICON MSTB 2,5, Pin connector pattern alignment: Standard, type of packaging: 44 mm wide tape, Product with pin output on left side

ME 45 OT-MSTBO GN - Upper part of housing

2909743

<https://www.phoenixcontact.com/pc/products/2909743>

GMSTBO 2,5 HV/ 3-GR-7,25 THR - PCB header

2199566

<https://www.phoenixcontact.com/pc/products/2199566>



PCB headers, nominal cross section: 2.5 mm², color: black, nominal current: 16 A, rated voltage (III/2): 630 V, type of contact: Pin, number of potentials: 3, number of rows: 1, number of positions: 3, number of connections: 3, product range: GMSTBO 2,5 HV, pitch: 7.25 mm, mounting: THR soldering, pin layout: Linear pinning, solder pin [P]: 2.1 mm, number of solder pins per potential: 1, plug-in system: COMBICON MSTB 2,5, Pin connector pattern alignment: Standard, type of packaging: packed in cardboard, Product with pin output on right side

GMSTBO 2,5 HV/3-GR-7,25 THRR44 - PCB header

2200262

<https://www.phoenixcontact.com/pc/products/2200262>



PCB headers, nominal cross section: 2.5 mm², color: black, nominal current: 16 A, rated voltage (III/2): 630 V, type of contact: Pin, number of potentials: 3, number of rows: 1, number of positions: 3, number of connections: 3, product range: GMSTBO 2,5 HV, pitch: 7.25 mm, mounting: THR soldering, pin layout: Linear pinning, solder pin [P]: 2.1 mm, number of solder pins per potential: 1, plug-in system: COMBICON MSTB 2,5, Pin connector pattern alignment: Standard, type of packaging: 44 mm wide tape, Product with pin output on right side

ME 45 OT-MSTBO GN - Upper part of housing

2909743

<https://www.phoenixcontact.com/pc/products/2909743>



GMSTBT 2,5 HV/3-ST-7,25 GY7035 - Printed-circuit board connector

2199553

<https://www.phoenixcontact.com/pc/products/2199553>



PCB connector, nominal cross section: 2.5 mm², color: light grey, nominal current: 16 A, rated voltage (III/2): 1000 V, contact surface: Tin, type of contact: Socket, number of rows: 1, number of positions: 3, product range: GMSTBT 2,5 HV/...-ST, pitch: 7.25 mm, connection method: Screw connection with tension sleeve, conductor/PCB connection direction: 0 °, locking clip: - Locking clip, locking: without, mounting: without, type of packaging: packed in cardboard

GMSTBT 2,5 HV/3-ST-7,25 YE - Printed-circuit board connector

1080380

<https://www.phoenixcontact.com/pc/products/1080380>



PCB connector, nominal cross section: 2.5 mm², color: yellow, nominal current: 16 A, rated voltage (III/2): 1000 V, type of contact: Socket, number of rows: 1, number of positions: 3, product range: GMSTBT 2,5 HV/...-ST, pitch: 7.25 mm, connection method: Screw connection with tension sleeve, conductor/PCB connection direction: 0 °, locking clip: - Locking clip, locking: without, mounting: without, type of packaging: packed in cardboard

ME 45 OT-MSTBO GN - Upper part of housing

2909743

<https://www.phoenixcontact.com/pc/products/2909743>



GMSTBT 2,5 HV/3-ST-7,25 BUGY - Printed-circuit board connector

2201084

<https://www.phoenixcontact.com/pc/products/2201084>



PCB connector, nominal cross section: 2.5 mm², color: blue grey, nominal current: 16 A, rated voltage (III/2): 1000 V, type of contact: Socket, number of rows: 1, number of positions: 3, product range: GMSTBT 2,5 HV/...-ST, pitch: 7.25 mm, connection method: Screw connection with tension sleeve, conductor/PCB connection direction: 0 °, locking clip: - Locking clip, locking: without, mounting: without, type of packaging: packed in cardboard

GMSTBT 2,5 HV/3-ST-7,25 BK - Printed-circuit board connector

2202104

<https://www.phoenixcontact.com/pc/products/2202104>



PCB connector, nominal cross section: 2.5 mm², color: black, nominal current: 16 A, rated voltage (III/2): 1000 V, type of contact: Socket, number of rows: 1, number of positions: 3, product range: GMSTBT 2,5 HV/...-ST, pitch: 7.25 mm, connection method: Screw connection with tension sleeve, conductor/PCB connection direction: 0 °, locking clip: - Locking clip, locking: without, mounting: without, type of packaging: packed in cardboard

ME 45 OT-MSTBO GN - Upper part of housing

2909743

<https://www.phoenixcontact.com/pc/products/2909743>



ME 45 UTG/FE GN - Mounting base housing

2909387

<https://www.phoenixcontact.com/pc/products/2909387>



DIN rail housing, Lower housing part with metal foot catch, with 2 FE contacts, tall design, without vents, width: 45.2 mm, height: 99 mm, depth: 107.3 mm, color: green (6021), cross connection: without bus connector, number of positions cross connector: not relevant

ME 45 UT/FE BUS/10+2 GN - Mounting base housing

2735580

<https://www.phoenixcontact.com/pc/products/2735580>



DIN rail housing, Lower housing part with metal foot catch, with 2 FE contacts, tall design, with vents, width: 45.2 mm, height: 99 mm, depth: 107.3 mm, color: green (6021), cross connection: integrated bus connector, number of positions cross connector: 10+2, Bus connector: 10 parallel contacts, 2 serial contacts

ME 45 OT-MSTBO GN - Upper part of housing

2909743

<https://www.phoenixcontact.com/pc/products/2909743>

ME 45 UT/FE GN - Mounting base housing

2909358

<https://www.phoenixcontact.com/pc/products/2909358>



DIN rail housing, Lower housing part with metal foot catch, with 2 FE contacts, tall design, with vents, width: 45.2 mm, height: 99 mm, depth: 107.3 mm, color: green (6021), cross connection: without bus connector, number of positions cross connector: not relevant

ME 45 UT GN - Mounting base housing

2909361

<https://www.phoenixcontact.com/pc/products/2909361>



DIN rail housing, Lower housing part with metal foot catch, tall design, with vents, width: 45.2 mm, height: 99 mm, depth: 107.3 mm, color: green (6021), cross connection: without bus connector, number of positions cross connector: not relevant

ME 45 OT-MSTBO GN - Upper part of housing

2909743

<https://www.phoenixcontact.com/pc/products/2909743>



ME 45 UT/FE BUS/ 5+2 GN - Mounting base housing

2735577

<https://www.phoenixcontact.com/pc/products/2735577>



DIN rail housing, Lower housing part with metal foot catch, with FE contact, tall design, with vents, width: 45.2 mm, height: 99 mm, depth: 107.3 mm, color: green (6021), cross connection: integrated bus connector, number of positions cross connector: 5+2, Bus connector: 5 parallel contacts, 2 serial contacts

ME 45 UTG TBUS GN - Mounting base housing

2713023

<https://www.phoenixcontact.com/pc/products/2713023>



DIN rail housing, Lower housing part with metal foot catch, tall design, without vents, width: 45.2 mm, height: 99 mm, depth: 107.3 mm, color: green (6021), cross connection: DIN rail connector (optional), number of positions cross connector: 5

ME 45 OT-MSTBO GN - Upper part of housing

2909743

<https://www.phoenixcontact.com/pc/products/2909743>



ME 45 UT TBUS GN - Mounting base housing

2713010

<https://www.phoenixcontact.com/pc/products/2713010>



DIN rail housing, Lower housing part with metal foot catch, tall design, with vents, width: 45.2 mm, height: 99 mm, depth: 107.3 mm, color: green (6021), cross connection: DIN rail connector (optional), number of positions cross connector: 5

ME 45 UT/FE BUS/10 GN - Mounting base housing

2713065

<https://www.phoenixcontact.com/pc/products/2713065>



DIN rail housing, Lower housing part with metal foot catch, with 2 FE contacts, tall design, with vents, width: 45.2 mm, height: 99 mm, depth: 107.3 mm, color: green (6021), cross connection: integrated bus connector, number of positions cross connector: 10, Bus connector: 10 parallel contacts

ME 45 OT-MSTBO GN - Upper part of housing

2909743

<https://www.phoenixcontact.com/pc/products/2909743>



ME 45 UT BUS/10 GN - Mounting base housing

2853682

<https://www.phoenixcontact.com/pc/products/2853682>



DIN rail housing, Lower housing part with metal foot catch, tall design, with vents, width: 45.2 mm, height: 99 mm, depth: 107.3 mm, color: green (6021), cross connection: integrated bus connector, number of positions cross connector: 10, Bus connector: 10 parallel contacts

ME 45 UTG GN - Mounting base housing

2909374

<https://www.phoenixcontact.com/pc/products/2909374>



DIN rail housing, Lower housing part with metal foot catch, tall design, without vents, width: 45.2 mm, height: 99 mm, depth: 107.3 mm, color: green (6021), cross connection: without bus connector, number of positions cross connector: not relevant

ME 45 OT-MSTBO GN - Upper part of housing

2909743

<https://www.phoenixcontact.com/pc/products/2909743>



ME 45 UT BUS/5 GN - Mounting base housing

2853679

<https://www.phoenixcontact.com/pc/products/2853679>



DIN rail housing, Lower housing part with metal foot catch, tall design, with vents, width: 45.2 mm, height: 99 mm, depth: 107.3 mm, color: green (6021), cross connection: integrated bus connector, number of positions cross connector: 5, Bus connector: 5 parallel contacts

ME 45 UT/FE BUS/ 5 GN - Mounting base housing

2709765

<https://www.phoenixcontact.com/pc/products/2709765>



DIN rail housing, Lower housing part with metal foot catch, with 2 FE contacts, tall design, with vents, width: 45.2 mm, height: 99 mm, depth: 107.3 mm, color: green (6021), cross connection: integrated bus connector, number of positions cross connector: 5, Bus connector: 5 parallel contacts

ME 45 OT-MSTBO GN - Upper part of housing

2909743

<https://www.phoenixcontact.com/pc/products/2909743>

ME 45 UT GN S46 - Mounting base housing

2697495

<https://www.phoenixcontact.com/pc/products/2697495>



DIN rail housing, Lower housing part with metal foot catch, tall design, with vents, width: 45.2 mm, height: 99 mm, depth: 107.3 mm, color: green (6021), cross connection: without bus connector, number of positions cross connector: not relevant

ME 45 UTG/FE1 GN - Mounting base housing

2279460

<https://www.phoenixcontact.com/pc/products/2279460>



DIN rail housing, Lower housing part with metal foot catch, with FE contact, tall design, without vents, width: 45.2 mm, height: 99 mm, depth: 107.3 mm, color: green (6021), cross connection: without bus connector, number of positions cross connector: not relevant

ME 45 OT-MSTBO GN - Upper part of housing

2909743

<https://www.phoenixcontact.com/pc/products/2909743>



ME 45 UT/FE1 BUS/10+2 GN - Mounting base housing

2707440

<https://www.phoenixcontact.com/pc/products/2707440>



DIN rail housing, Lower housing part with metal foot catch, with FE contact, tall design, with vents, width: 45.2 mm, height: 99 mm, depth: 107.3 mm, color: green (6021), cross connection: integrated bus connector, number of positions cross connector: 10+2, Bus connector: 10 parallel contacts, 2 serial contacts

Accessories

ME B-22,5 MSTBO GN - Filler plugs

2907156

<https://www.phoenixcontact.com/pc/products/2907156>



DIN rail housing, Filler plug for unoccupied terminal points (MSTBO), width: 20 mm, height: 19.05 mm, depth: 12.3 mm, color: green (6021)

ME 45 OT-MSTBO GN - Upper part of housing

2909743

<https://www.phoenixcontact.com/pc/products/2909743>

HS LC-H-D3/ R1XC1 - Fiber optic

2202313

<https://www.phoenixcontact.com/pc/products/2202313>

Multiple light guides, passive, rigid, can be used for the ME, ME-MAX, ME-IO, ME PLC, and EH housing ranges (housing must be processed)



HS LC-H-5X2/ R1XC1 - Fiber optic

2202314

<https://www.phoenixcontact.com/pc/products/2202314>

Single light guide, passive, rigid, can be used for the ME, ME-MAX, ME-IO, ME PLC, and EH housing ranges (housing must be processed)



ME 45 OT-MSTBO GN - Upper part of housing

2909743

<https://www.phoenixcontact.com/pc/products/2909743>



HS LC-H-D3/ R2XC1-5,08 - Fiber optic

2202315

<https://www.phoenixcontact.com/pc/products/2202315>

Multiple light guides, passive, rigid, can be used for the ME, ME-MAX, ME-IO, ME PLC, and EH housing ranges (housing must be processed)



HS LC-H-D2/ R2XC1-2,54 - Fiber optic

2202316

<https://www.phoenixcontact.com/pc/products/2202316>

Multiple light guides with glare protection, passive, rigid, can be used for the ME, ME-MAX, ME-IO, ME PLC, and EH housing ranges (housing must be processed)



ME 45 OT-MSTBO GN - Upper part of housing

2909743

<https://www.phoenixcontact.com/pc/products/2909743>

HS LC-H-D2/ R2XC2-2,54 - Fiber optic

2202317

<https://www.phoenixcontact.com/pc/products/2202317>



Multiple light guides with glare protection, passive, rigid, can be used for the ME, ME-MAX, ME-IO, ME PLC, and EH housing ranges (housing must be processed)

HS LC-H-D2/ R2XC5-2,54 - Fiber optic

2202318

<https://www.phoenixcontact.com/pc/products/2202318>



Multiple light guides with glare protection, passive, rigid, can be used for the ME, ME-MAX, ME-IO, ME PLC, and EH housing ranges (housing must be processed)

ME 45 OT-MSTBO GN - Upper part of housing

2909743

<https://www.phoenixcontact.com/pc/products/2909743>



HS LC-H-D2/ R2XC10-2,54 - Fiber optic

2202319

<https://www.phoenixcontact.com/pc/products/2202319>

Multiple light guides with glare protection, passive, rigid, can be used for the ME, ME-MAX, ME-IO, ME PLC, and EH housing ranges (housing must be processed)



HS LC-H-D2/ R4XC2-2,54 - Fiber optic

2202320

<https://www.phoenixcontact.com/pc/products/2202320>

Multiple light guides with glare protection, passive, rigid, can be used for the ME, ME-MAX, ME-IO, ME PLC, and EH housing ranges (housing must be processed)



ME 45 OT-MSTBO GN - Upper part of housing

2909743

<https://www.phoenixcontact.com/pc/products/2909743>

HS LC-H-D2/ R4XC5-2,54 - Fiber optic

2202321

<https://www.phoenixcontact.com/pc/products/2202321>



Multiple light guides with glare protection, passive, rigid, can be used for the ME, ME-MAX, ME-IO, ME PLC, and EH housing ranges (housing must be processed)

HS LC-H-D2/ R4XC9-2,54 - Fiber optic

2202322

<https://www.phoenixcontact.com/pc/products/2202322>



Multiple light guides with glare protection, passive, rigid, can be used for the ME, ME-MAX, ME-IO, ME PLC, and EH housing ranges (housing must be processed)

ME 45 OT-MSTBO GN - Upper part of housing

2909743

<https://www.phoenixcontact.com/pc/products/2909743>



HS LC-H-D2/ R4XC10-2,54 - Fiber optic

2202323

<https://www.phoenixcontact.com/pc/products/2202323>



Multiple light guides with glare protection, passive, rigid, can be used for the ME, ME-MAX, ME-IO, ME PLC, and EH housing ranges (housing must be processed)

HS LC-H-D2C/ R2XC1-2,54 - Fiber optic

1036658

<https://www.phoenixcontact.com/pc/products/1036658>



Multiple light guides with glare protection, passive, rigid, can be used for the ME, ME-MAX, ME-IO, ME PLC, and EH housing ranges (housing must be processed)

ME 45 OT-MSTBO GN - Upper part of housing

2909743

<https://www.phoenixcontact.com/pc/products/2909743>

HS LC-H-D2C/ R2XC2-2,54 - Fiber optic

1043044

<https://www.phoenixcontact.com/pc/products/1043044>



Multiple light guides with glare protection, passive, rigid, can be used for the ME, ME-MAX, ME-IO, ME PLC, and EH housing ranges (housing must be processed)

HS LC-H-D2C/ R2XC5-2,54 - Fiber optic

1071310

<https://www.phoenixcontact.com/pc/products/1071310>



Multiple light guides with glare protection, passive, rigid, can be used for the ME, ME-MAX, ME-IO, ME PLC, and EH housing ranges (housing must be processed)

ME 45 OT-MSTBO GN - Upper part of housing

2909743

<https://www.phoenixcontact.com/pc/products/2909743>



HS LC-H-D2C/ R2XC10-2,54 - Fiber optic

1071314

<https://www.phoenixcontact.com/pc/products/1071314>

Multiple light guides with glare protection, passive, rigid, can be used for the ME, ME-MAX, ME-IO, ME PLC, and EH housing ranges (housing must be processed)



HS LC-H-D2C/ R4XC2-2,54 - Fiber optic

1071316

<https://www.phoenixcontact.com/pc/products/1071316>

Multiple light guides with glare protection, passive, rigid, can be used for the ME, ME-MAX, ME-IO, ME PLC, and EH housing ranges (housing must be processed)



ME 45 OT-MSTBO GN - Upper part of housing

2909743

<https://www.phoenixcontact.com/pc/products/2909743>

HS LC-H-D2C/ R4XC5-2,54 - Fiber optic

1071318

<https://www.phoenixcontact.com/pc/products/1071318>



Multiple light guides with glare protection, passive, rigid, can be used for the ME, ME-MAX, ME-IO, ME PLC, and EH housing ranges (housing must be processed)

HS LC-H-D2C/ R4XC9-2,54 - Fiber optic

1071321

<https://www.phoenixcontact.com/pc/products/1071321>



Multiple light guides with glare protection, passive, rigid, can be used for the ME, ME-MAX, ME-IO, ME PLC, and EH housing ranges (housing must be processed)

ME 45 OT-MSTBO GN - Upper part of housing

2909743

<https://www.phoenixcontact.com/pc/products/2909743>



HS LC-H-D2C/ R4XC10-2,54 - Fiber optic

1071329

<https://www.phoenixcontact.com/pc/products/1071329>

Multiple light guides with glare protection, passive, rigid, can be used for the ME, ME-MAX, ME-IO, ME PLC, and EH housing ranges (housing must be processed)



ME-SAS - Shield connection clamp

2853899

<https://www.phoenixcontact.com/pc/products/2853899>

Shield connection clamp for terminal points starting from 2.5 mm²



ME 45 OT-MSTBO GN - Upper part of housing

2909743

<https://www.phoenixcontact.com/pc/products/2909743>



ME-SAS MINI - Shield connection clamp

2200456

<https://www.phoenixcontact.com/pc/products/2200456>

Shield connection clamp for terminal points starting from 1.5 mm²



Phoenix Contact 2023 © - all rights reserved

<https://www.phoenixcontact.com>

PHOENIX CONTACT GmbH & Co. KG

Flachsmarktstraße 8

D-32825 Blomberg

+49 (0) 5235-3 00

info@phoenixcontact.com