

ELR H5-I-SC- 24DC/500AC-9 - Hybrid motor starter



2900576

<https://www.phoenixcontact.com/in/products/2900576>

Please be informed that the data shown in this PDF document is generated from our Online Catalog. Please find the complete data in the user documentation. Our General Terms of Use for Downloads are valid.



Hybrid motor starter for reversing 3~ AC motors up to 500 V AC and 9 A output current, with 24 V DC control voltage, adjustable overload shutdown, and screw connection.

Your advantages

- 22.5 mm wide
- Space saving
- Long service life
- Reduction in wiring
- 3-phase loop bridges
- Adjustable current for bimetal function
- Low-wear switching

Commercial Data

Item number	2900576
Packing unit	1 pc
Minimum order quantity	1 pc
Sales Key	CK7
Product Key	CK7424
Catalog Page	Page 29 (C-5-2019)
GTIN	4046356528184
Weight per Piece (including packing)	301.2 g
Weight per Piece (excluding packing)	301.2 g
Customs tariff number	85371098
Country of origin	DE

ELR H5-I-SC- 24DC/500AC-9 - Hybrid motor starter



2900576

<https://www.phoenixcontact.com/in/products/2900576>

Technical Data

Product properties

Product type	Hybrid motor starters
Product family	CONTACTRON
Operating mode	100% operating factor

Electrical properties

Number of phases	3
Motor starter type	Reversing starter
Maximum power dissipation for nominal condition	13.5 W
Switching frequency	≤ 2 Hz (Load-dependent)
Maximum power dissipation	14.6 W
Minimum power dissipation	1.1 W
Coordination type	1

Supply

Rated control circuit supply voltage U_S	24 V DC
Control supply voltage range	19.2 V DC ... 30 V DC
Rated control supply current I_S	40 mA
Protective circuit	Surge protection
	Reverse polarity protection

Insulation characteristics

Rated insulation voltage	500 V
Rated surge voltage	6 kV
Overvoltage category	III
Degree of pollution	2
Insulation characteristics between the control input and control supply voltage, and auxiliary circuit to the main circuit	Safe isolation (IEC 60947-1) at operating voltage ≤ 300 V AC (e. g., 230/400 V AC, 277/480 V AC)
	Basic insulation (IEC 60947-1) at operating voltage 300 V AC ... 500 V AC
Isolation characteristics between the control input and control supply voltage to auxiliary circuit	Safe isolation (IEC 60947-1) in the auxiliary circuit ≤ 300 V AC

Emergency tripping

Operate threshold	> 45 A
Response time	< 2 s

Input data

Control

Input name	Control input right/left
Rated actuating voltage U_C	24 V DC
Triggering voltage range	19.2 V DC ... 30 V DC
Rated actuating current I_C	5 mA (Input type 1)

ELR H5-I-SC- 24DC/500AC-9 - Hybrid motor starter



2900576

<https://www.phoenixcontact.com/in/products/2900576>

Switching threshold	9.6 V ("0" signal)
	19.2 V ("1" signal)
Typical turn-off time	< 30 ms
Protective circuit	Reverse polarity protection

Output data

AC output

Rated operating voltage U_e	500 V AC
Operating voltage range	42 V AC ... 550 V AC
Rated operating current I_e	9 A (AC-51)
	6.5 A (AC-53a)
Mains frequency	50/60 Hz
Load current range	1.5 A ... 9 A (see to derating)
Trigger characteristic in acc. with IEC 60947-4-2	Class 10A
Cooling time	20 min. (for auto reset)
Leakage current	0 mA
Protective circuit	Surge protection

Acknowledge output

Note	Confirmation: floating change-over contact, signal contact
Contact type	1 changeover contact
Switching capacity in accordance with IEC 60947-5-1	3 A (230 V, AC15)
	2 A (24 V, DC13)

Connection data

Control circuits

Connection method	Screw connection
Stripping length	8 mm
Screw thread	M3
Conductor cross section rigid	0.2 mm ² ... 2.5 mm ²
Conductor cross section flexible	0.2 mm ² ... 2.5 mm ²
Conductor cross section AWG	24 ... 14
Tightening torque	0.5 Nm ... 0.6 Nm
	5 lb _F -in. ... 7 lb _F -in.

Load circuit

Connection method	Screw connection
Stripping length	8 mm
Screw thread	M3
Conductor cross section rigid	0.2 mm ² ... 2.5 mm ²
Conductor cross section flexible	0.2 mm ² ... 2.5 mm ²
Conductor cross section AWG	24 ... 14
Tightening torque	0.5 Nm ... 0.6 Nm
	5 lb _F -in. ... 7 lb _F -in.

ELR H5-I-SC- 24DC/500AC-9 - Hybrid motor starter



2900576

<https://www.phoenixcontact.com/in/products/2900576>

Signaling

Status display	Yellow LED
Operating voltage display	Green LED
Error indication	Red LED

Dimensions

Width	22.5 mm
Height	107 mm
Depth	114 mm

Material specifications

Flammability rating according to UL 94	V0 (Housing)
--	--------------

Environmental and real-life conditions

Ambient conditions

Degree of protection	IP20
Ambient temperature (operation)	-25 °C ... 70 °C (observe derating)
Ambient temperature (storage/transport)	-40 °C ... 80 °C
Altitude	≤ 2000 m

Approvals

UKCA

Certificate	UKCA-compliant
-------------	----------------

UL approval

Certificate	NLDX.E228652
-------------	--------------

UL data

SCCR	100 kA (500 V AC (fuse: 30 A class CC/30 A class J (high fault)))
	5 kA (500 V AC (fuse: 20 A RK5 (standard fault)))
FLA	6.5 A (500 V AC)
Group installation	20 A (class RK5, SCCR 5kA, #24 - 14 AWG max. solid and stranded)
	30 A (class CC or J, SCCR 100kA, #24 - 14 AWG max, solid and stranded)
Category code	NLDX / NRNT

Standards and regulations

Standards/regulations

Standards/regulations	IEC 60947-1
	IEC 60947-4-2

Mounting

Mounting type	DIN rail mounting
---------------	-------------------

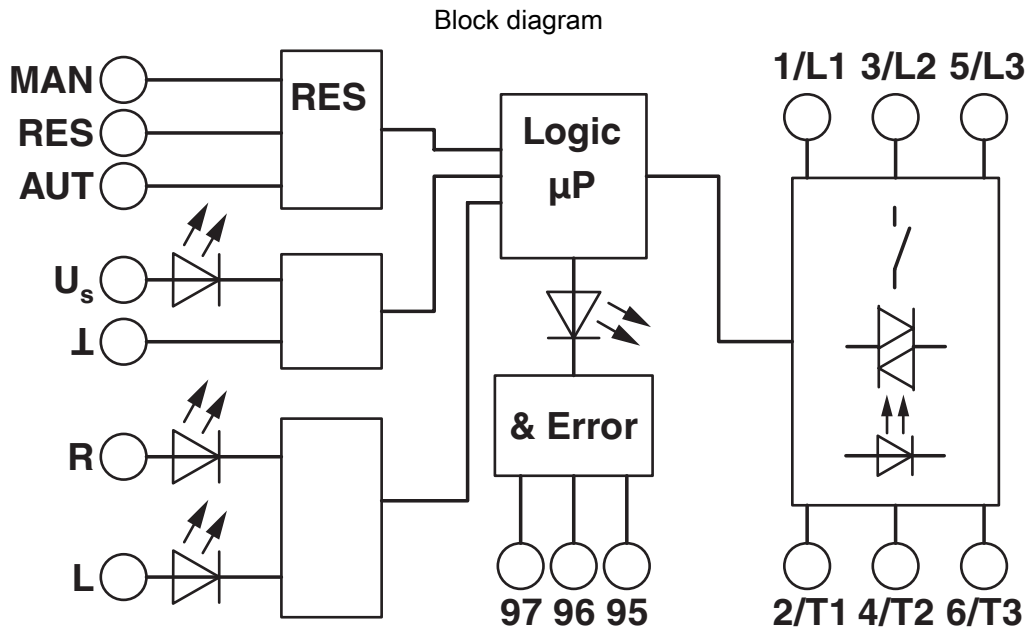
ELR H5-I-SC- 24DC/500AC-9 - Hybrid motor starter



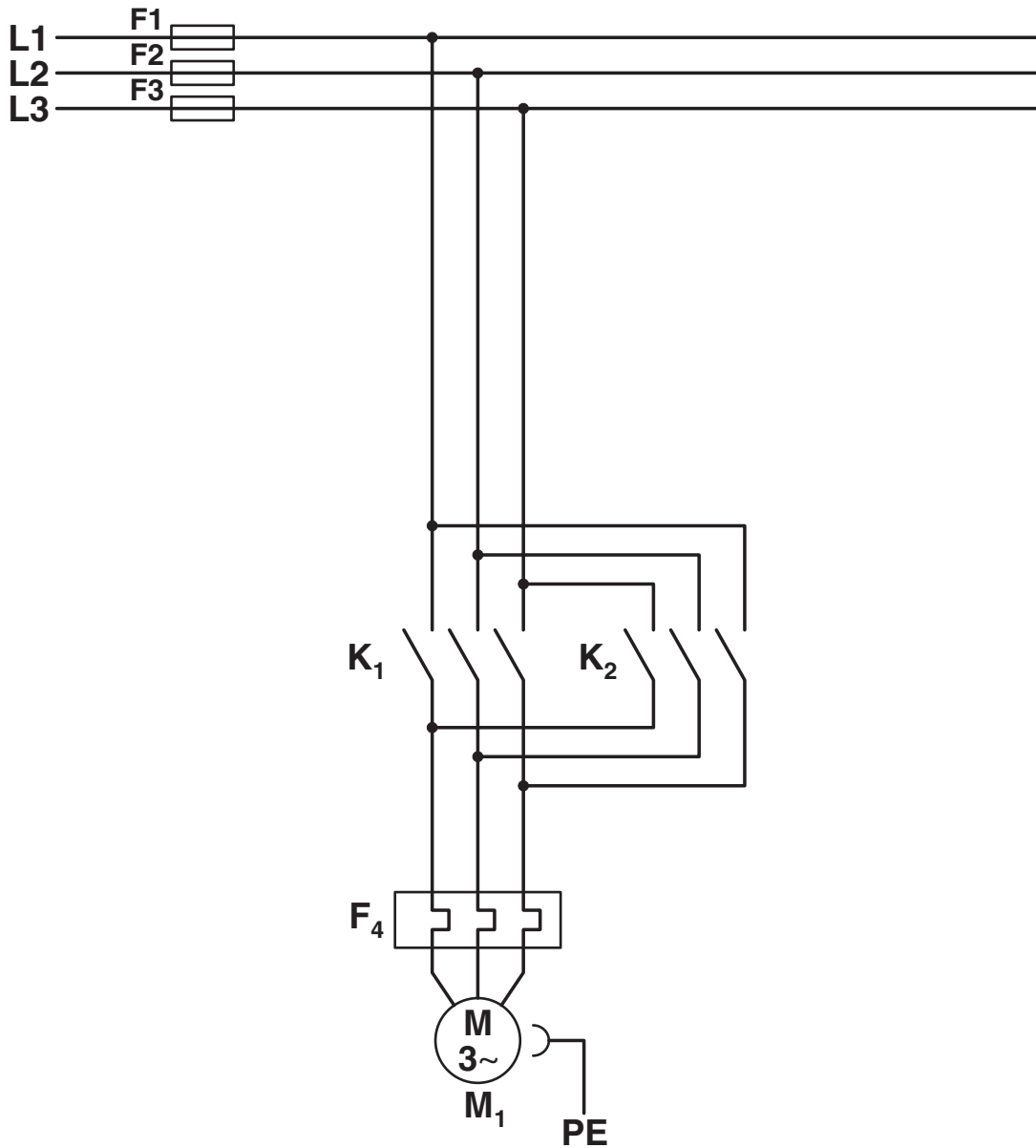
2900576

<https://www.phoenixcontact.com/in/products/2900576>

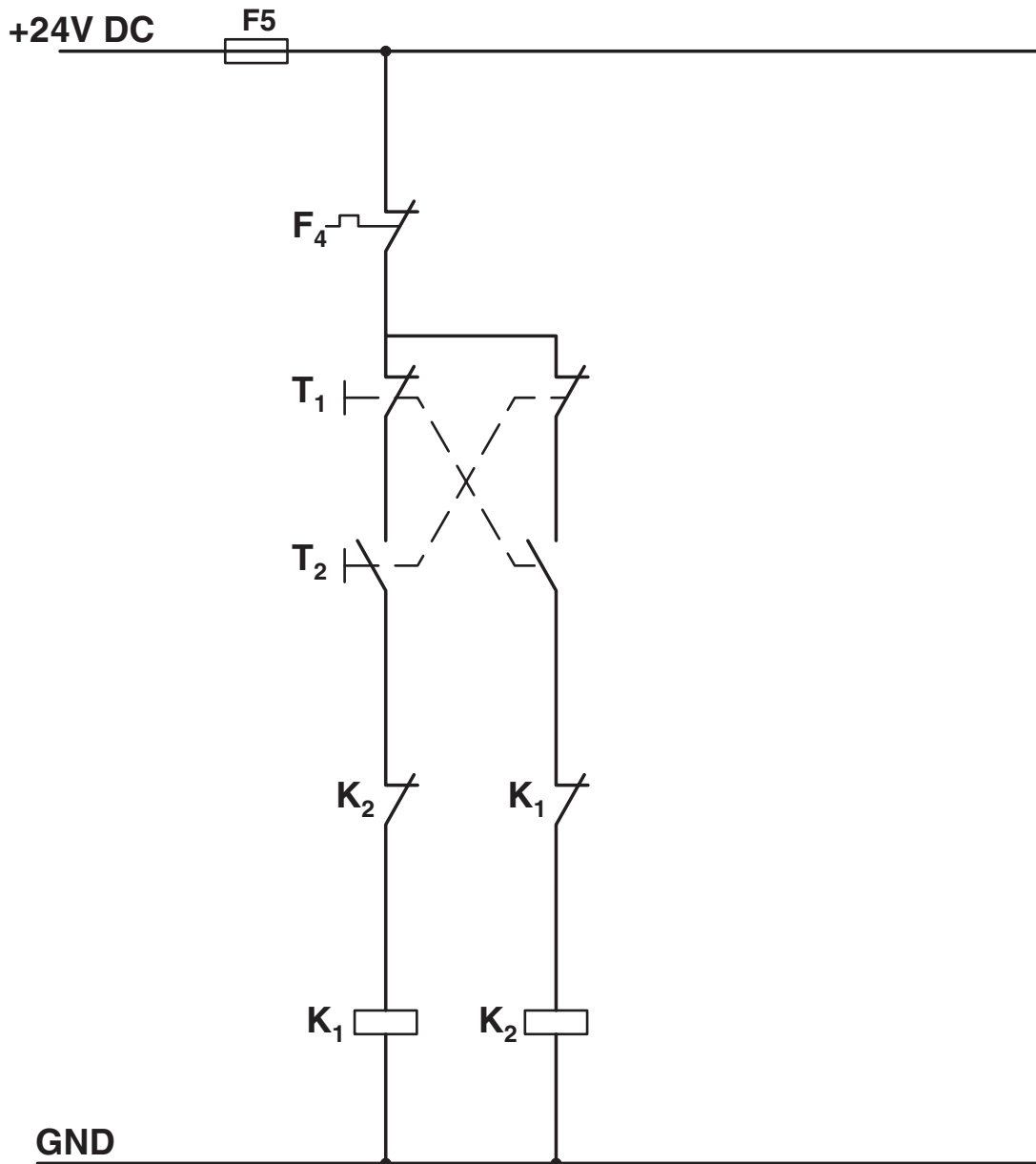
Assembly instructions	alignable, for spacing see derating
Mounting position	vertical (horizontal DIN rail, motor output below)

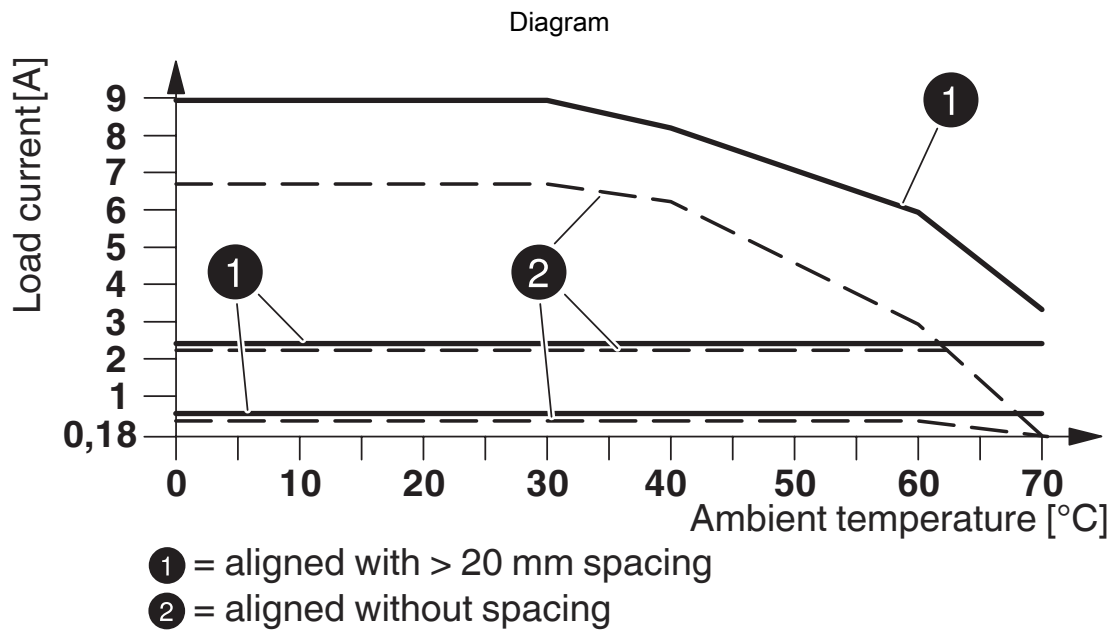


Circuit diagram



Circuit diagram





Derating diagram

ELR H5-I-SC- 24DC/500AC-9 - Hybrid motor starter



2900576

<https://www.phoenixcontact.com/in/products/2900576>

Approvals



IECEE CB Scheme

Approval ID: DE1-55728



EAC

Approval ID: RU*C-DE.*08.B.00520*



UL Listed

Approval ID: FILE E 323771



CCC

Approval ID: 2016010304871315



cUL Listed

Approval ID: FILE E 323771



cUL Listed

Approval ID: FILE E 228652



UL Listed

Approval ID: FILE E 228652

ELR H5-I-SC- 24DC/500AC-9 - Hybrid motor starter



2900576

<https://www.phoenixcontact.com/in/products/2900576>

Classifications

ECLASS

ECLASS-11.0	27370905
ECLASS-12.0	27370905
ECLASS-13.0	27370905

ETIM

ETIM 8.0	EC001037
----------	----------

UNSPSC

UNSPSC 21.0	25173900
-------------	----------

ELR H5-I-SC- 24DC/500AC-9 - Hybrid motor starter



2900576

<https://www.phoenixcontact.com/in/products/2900576>

Environmental Product Compliance

REACH SVHC	Lead 7439-92-1
China RoHS	Environmentally Friendly Use Period = 50 years
	For information on hazardous substances, refer to the manufacturer's declaration available under "Downloads"

ELR H5-I-SC- 24DC/500AC-9 - Hybrid motor starter



2900576

<https://www.phoenixcontact.com/in/products/2900576>

Accessories

US-EMLP (15X5) - Plastic label

0828790

<https://www.phoenixcontact.com/in/products/0828790>



Plastic label, Card, white, unlabeled, can be labeled with: BLUEMARK ID COLOR, BLUEMARK ID, THERMOMARK PRIME, THERMOMARK CARD 2.0, THERMOMARK CARD, mounting type: adhesive, lettering field size: 15 x 5 mm, Number of individual labels: 189

UC-EMLP (15X5) - Plastic label

0819301

<https://www.phoenixcontact.com/in/products/0819301>



Plastic label, Sheet, white, unlabeled, can be labeled with: BLUEMARK ID COLOR, BLUEMARK ID, BLUEMARK CLED, PLOTMARK, CMS-P1-PLOTTER, mounting type: adhesive, lettering field size: 15 x 5 mm, Number of individual labels: 10

ELR H5-I-SC- 24DC/500AC-9 - Hybrid motor starter



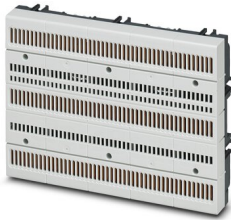
2900576

<https://www.phoenixcontact.com/in/products/2900576>

EM-CPS-225 - Power distribution board

1002634

<https://www.phoenixcontact.com/in/products/1002634>



Modular power distribution board with CrossLink[®] interface, 125 A, 3-pos., touch-proof and protection against polarity reversal, width: 225 mm

EM-CPS-405 - Power distribution board

1002635

<https://www.phoenixcontact.com/in/products/1002635>



Modular power distribution board with CrossLink[®] interface, 125 A, 3-pos., touch-proof and protection against polarity reversal, width: 405 mm

ELR H5-I-SC- 24DC/500AC-9 - Hybrid motor starter



2900576

<https://www.phoenixcontact.com/in/products/2900576>

EM-CPS-TB3/63A - Connection module

1002633

<https://www.phoenixcontact.com/in/products/1002633>



Connection module with integrated spring-loaded terminals for cables from 1.5 to 16 mm², 3-pos., maximum 63 A

EM-CPS-DA-22,5F/16A - Adapter

1002668

<https://www.phoenixcontact.com/in/products/1002668>



Device adapter with fuse holder for 16 A fuse (10x38/Class CC), CrossLink[®] interface and fixed DIN rail

ELR H5-I-SC- 24DC/500AC-9 - Hybrid motor starter



2900576

<https://www.phoenixcontact.com/in/products/2900576>

BRIDGE- 2 - Bridge

2900746

<https://www.phoenixcontact.com/in/products/2900746>

3-phase loop bridge for CONTACTRON modules, with screw connection and 22.5 mm housing width, connecting cable: 0.3 m, with ferrules.



BRIDGE- 3 - Bridge

2900747

<https://www.phoenixcontact.com/in/products/2900747>

3-phase loop bridge for 3 CONTACTRON modules, with screw connection and 22.5 mm housing width, connecting cable: 0.3 m, with ferrules.



ELR H5-I-SC- 24DC/500AC-9 - Hybrid motor starter



2900576

<https://www.phoenixcontact.com/in/products/2900576>

BRIDGE- 4 - Bridge

2900748

<https://www.phoenixcontact.com/in/products/2900748>

3-phase loop bridge for 4 CONTACTRON modules, with screw connection and 22.5 mm housing width, connecting cable: 0.3 m, with ferrules.



BRIDGE- 5 - Bridge

2900749

<https://www.phoenixcontact.com/in/products/2900749>

3-phase loop bridge for 5 CONTACTRON modules, with screw connection and 22.5 mm housing width, connecting cable: 0.3 m, with ferrules.



ELR H5-I-SC- 24DC/500AC-9 - Hybrid motor starter



2900576

<https://www.phoenixcontact.com/in/products/2900576>

BRIDGE- 6 - Bridge

2900750

<https://www.phoenixcontact.com/in/products/2900750>

3-phase loop bridge for 6 CONTACTRON modules, with screw connection and 22.5 mm housing width, connecting cable: 0.3 m, with ferrules.



BRIDGE- 7 - Bridge

2900751

<https://www.phoenixcontact.com/in/products/2900751>

3-phase loop bridge for 7 CONTACTRON modules, with screw connection and 22.5 mm housing width, connecting cable: 0.3 m, with ferrules.



ELR H5-I-SC- 24DC/500AC-9 - Hybrid motor starter



2900576

<https://www.phoenixcontact.com/in/products/2900576>

BRIDGE- 8 - Bridge

2900752

<https://www.phoenixcontact.com/in/products/2900752>

3-phase loop bridge for 8 CONTACTRON modules, with screw connection and 22.5 mm housing width, connecting cable: 0.3 m, with ferrules.



BRIDGE- 9 - Bridge

2900753

<https://www.phoenixcontact.com/in/products/2900753>

3-phase loop bridge for 9 CONTACTRON modules, with screw connection and 22.5 mm housing width, connecting cable: 0.3 m, with ferrules.



ELR H5-I-SC- 24DC/500AC-9 - Hybrid motor starter



2900576

<https://www.phoenixcontact.com/in/products/2900576>

BRIDGE-10 - Bridge

2900754

<https://www.phoenixcontact.com/in/products/2900754>

3-phase loop bridge for 10 CONTACTRON modules, with screw connection and 22.5 mm housing width, connecting cable: 0.3 m, with ferrules.



BRIDGE- 2-1M - Bridge

2901542

<https://www.phoenixcontact.com/in/products/2901542>

3-phase loop bridge for 2 CONTACTRON modules, with screw connection and 22.5 mm housing width, connecting cable: 1 m



ELR H5-I-SC- 24DC/500AC-9 - Hybrid motor starter



2900576

<https://www.phoenixcontact.com/in/products/2900576>

BRIDGE- 3-1M - Bridge

2901655

<https://www.phoenixcontact.com/in/products/2901655>

3-phase loop bridge for 3 CONTACTRON modules, with screw connection and 22.5 mm housing width, connecting cable: 1 m



BRIDGE- 4-1M - Bridge

2901658

<https://www.phoenixcontact.com/in/products/2901658>

3-phase loop bridge for 4 CONTACTRON modules, with screw connection and 22.5 mm housing width, connecting cable: 1 m



ELR H5-I-SC- 24DC/500AC-9 - Hybrid motor starter



2900576

<https://www.phoenixcontact.com/in/products/2900576>

BRIDGE- 5-1M - Bridge

2901544

<https://www.phoenixcontact.com/in/products/2901544>

3-phase loop bridge for 5 CONTACTRON modules, with screw connection and 22.5 mm housing width, connecting cable: 1 m



BRIDGE- 6-1M - Bridge

2901649

<https://www.phoenixcontact.com/in/products/2901649>

3-phase loop bridge for 6 CONTACTRON modules, with screw connection and 22.5 mm housing width, connecting cable: 1 m



ELR H5-I-SC- 24DC/500AC-9 - Hybrid motor starter



2900576

<https://www.phoenixcontact.com/in/products/2900576>

BRIDGE- 2-3M - Bridge

2901543

<https://www.phoenixcontact.com/in/products/2901543>

3-phase loop bridge for 2 CONTACTRON modules, with screw connection and 22.5 mm housing width, connecting cable: 3 m



BRIDGE- 3-3M - Bridge

2901656

<https://www.phoenixcontact.com/in/products/2901656>

3-phase loop bridge for 3 CONTACTRON modules, with screw connection and 22.5 mm housing width, connecting cable: 3 m



ELR H5-I-SC- 24DC/500AC-9 - Hybrid motor starter



2900576

<https://www.phoenixcontact.com/in/products/2900576>

BRIDGE- 4-3M - Bridge

2901659

<https://www.phoenixcontact.com/in/products/2901659>

3-phase loop bridge for 4 CONTACTRON modules, with screw connection and 22.5 mm housing width, connecting cable: 3 m



BRIDGE- 5-3M - Bridge

2901545

<https://www.phoenixcontact.com/in/products/2901545>

3-phase loop bridge for 5 CONTACTRON modules, with screw connection and 22.5 mm housing width, connecting cable: 3 m



ELR H5-I-SC- 24DC/500AC-9 - Hybrid motor starter



2900576

<https://www.phoenixcontact.com/in/products/2900576>

BRIDGE- 6-3M - Bridge

2901697

<https://www.phoenixcontact.com/in/products/2901697>

3-phase loop bridge for 6 CONTACTRON modules, with screw connection and 22.5 mm housing width, connecting cable: 3 m



BRIDGE- 7-3M - Bridge

2901698

<https://www.phoenixcontact.com/in/products/2901698>

3-phase loop bridge for 7 CONTACTRON modules, with screw connection and 22.5 mm housing width, connecting cable: 3 m



ELR H5-I-SC- 24DC/500AC-9 - Hybrid motor starter



2900576

<https://www.phoenixcontact.com/in/products/2900576>

BRIDGE- 8-3M - Bridge

2901700

<https://www.phoenixcontact.com/in/products/2901700>

3-phase loop bridge for 8 CONTACTRON modules, with screw connection and 22.5 mm housing width, connecting cable: 3 m



BRIDGE- 9-3M - Bridge

2901701

<https://www.phoenixcontact.com/in/products/2901701>

3-phase loop bridge for 9 CONTACTRON modules, with screw connection and 22.5 mm housing width, connecting cable: 3 m



ELR H5-I-SC- 24DC/500AC-9 - Hybrid motor starter



2900576

<https://www.phoenixcontact.com/in/products/2900576>

BRIDGE-10-3M - Bridge

2901702

<https://www.phoenixcontact.com/in/products/2901702>

3-phase loop bridge for 10 CONTACTRON modules, with screw connection and 22.5 mm housing width, connecting cable: 3 m



BRIDGE- 2- 2M/0,3M - Bridge

2909897

<https://www.phoenixcontact.com/in/products/2909897>

3-phase loop bridge for 2 CONTACTRON modules, with screw connection and 22.5 mm housing width, cable length between the modules: 0.3 m, connecting cable: 2 m



ELR H5-I-SC- 24DC/500AC-9 - Hybrid motor starter



2900576

<https://www.phoenixcontact.com/in/products/2900576>

BRIDGE- 3- 2M/0,3M - Bridge

2909898

<https://www.phoenixcontact.com/in/products/2909898>



3-phase loop bridge for 3 CONTACTRON modules, with screw connection and 22.5 mm housing width, cable length between the modules: 0.3 m, connecting cable: 2 m

BRIDGE- 4- 2M/0,3M - Bridge

2909899

<https://www.phoenixcontact.com/in/products/2909899>



3-phase loop bridge for 4 CONTACTRON modules, with screw connection and 22.5 mm housing width, cable length between the modules: 0.3 m, connecting cable: 2 m

ELR H5-I-SC- 24DC/500AC-9 - Hybrid motor starter



2900576

<https://www.phoenixcontact.com/in/products/2900576>

BRIDGE COVER - Covering hood

2906240

<https://www.phoenixcontact.com/in/products/2906240>

The BRIDGE COVER covering hood is used to cover unused plugs on the CONTACTRON bridge that may subsequently be used to extend the system. The hood can be used with the screw and Push-in version of the bridge.



Phoenix Contact 2023 © - all rights reserved

<https://www.phoenixcontact.com>

PHOENIX CONTACT (I) Pvt. Ltd.

A-58/2, Okhla Industrial Area, Phase - II, New Delhi-110 020

+91.1275.71420

info@phoenixcontact.co.in