

# IL EIP BK DI8 DO4 2TX-PAC - Bus coupler



2897758

<https://www.phoenixcontact.com/in/products/2897758>

Please be informed that the data shown in this PDF document is generated from our Online Catalog. Please find the complete data in the user documentation. Our General Terms of Use for Downloads are valid.



Inline, Bus coupler, EtherNet/IP™, RJ45 jack, Digital inputs: 8, 24 V DC, connection technology: 3-conductor, Digital outputs: 4, 24 V DC, 500 mA, connection technology: 3-conductor, transmission speed in the local bus: 500 kbps / 2 Mbps, degree of protection: IP20, including Inline connectors and marking fields

## Product Description

The bus coupler with integrated I/Os is intended for use within an EtherNet/IP™ network and represents the link to the Inline I/O system. Up to 61 Inline devices can be connected to the bus coupler. The bus coupler supports a maximum of 8 PCP devices. A corresponding EDS file is available for integrating the Inline station into the programming system. This file can be downloaded via the product at [phoenixcontact.net/products](https://phoenixcontact.net/products).

## Your advantages

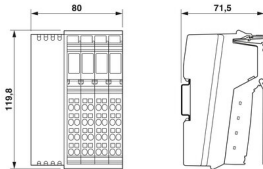
- 8 digital inputs, 4 digital outputs (on-board)
- EtherNet/IP™, Version 1.2
- Web-based management
- 2 RJ45 connections
- Automatic detection of the transmission speed in the local bus (500 kbps or 2 Mbps)

## Commercial Data

Item number	2897758
Packing unit	1 pc
Minimum order quantity	1 pc
Sales Key	DRI
Product Key	DRI11D
Catalog Page	Page 103 (C-6-2019)
GTIN	4046356157926
Weight per Piece (including packing)	347.78 g
Weight per Piece (excluding packing)	320 g
Customs tariff number	85176200
Country of origin	DE

## Technical Data

### Dimensions

Dimensional drawing	
Width	80 mm
Height	119.8 mm
Depth	71.5 mm
Note on dimensions	Specifications with connectors

### Notes

#### Utilization restriction

CCCex note	Use in potentially explosive areas is not permitted in China.
------------	---

### Material specifications

Color	green
-------	-------

### Interfaces

#### EtherNet/IP™

Number of interfaces	2
Connection method	RJ45 jack
Note on the connection method	Auto negotiation and autocrossing
Permissible conductor cross section	0.14 mm <sup>2</sup> ... 0.22 mm <sup>2</sup> (twisted pair)
Transmission speed	10/100 Mbps (half or full duplex (automatic detection))
Transmission physics	Ethernet in RJ45 twisted pair

#### Inline local bus

Number of interfaces	1
Connection method	Inline data jumper
Transmission speed	500 kbps / 2 Mbps (automatic detection, no combined system)

#### Fieldbus: Local bus gateway

Max. number of local bus devices	61 (The on-board I/Os are two devices)
----------------------------------	--

### System properties

#### System limits

Number of supported devices	max. 63 (per station)
Number of local bus devices that can be connected	max. 61 (The on-board I/Os are two devices)
Number of devices with parameter channel	max. 8

# IL EIP BK DI8 DO4 2TX-PAC - Bus coupler



2897758

<https://www.phoenixcontact.com/in/products/2897758>

Number of supported branch terminals with remote bus branch	0
---	---

## Module

ID code (hex)	none
Input address area	8 bit
Output address area	4 bit
Register length	16 bit

## Input data

### Digital

Input name	Digital inputs
Description of the input	EN 61131-2 type 1
Number of inputs	8
Connection method	Inline connector
Connection technology	3-conductor
Input voltage	24 V DC
Input voltage range "0" signal	-30 V DC ... 5 V DC
Input voltage range "1" signal	15 V DC ... 30 V DC
Nominal input voltage $U_{IN}$	24 V DC
Nominal input current at $U_{IN}$	typ. 3 mA
Typical input current per channel	typ. 3 mA
Typical response time	approx. 500 $\mu$ s
Delay at signal change from 0 to 1	1.2 ms
Delay at signal change from 1 to 0	1.2 ms
Protective circuit	Reverse polarity protection; Suppressor diode

## Output data

### Digital

Output name	Digital outputs
Connection method	Inline connector
Connection technology	3-conductor
Number of outputs	4
Protective circuit	Short-circuit and overload protection; Free running circuit
Output voltage	24 V DC -1 V (At nominal current)
Maximum output current per module	max. 2 A
Nominal output voltage	24 V DC
Output current when switched off	max. 10 $\mu$ A (When not loaded, a voltage can be measured even at an output that is not set.)
Nominal load, inductive	12 VA (1.2 H, 48 $\Omega$ )
Nominal load, lamp	12 W
Nominal load, ohmic	12 W
Reverse voltage resistance to short pulses	Reverse voltage proof
Behavior with overload	Auto restart
Behavior with inductive overload	Output can be destroyed

Behavior at voltage switch-off	The output follows the power supply without delay
--------------------------------	---

## Product properties

Type	modular
Product type	I/O component
Product family	Inline
Scope of delivery	including Inline connectors and marking fields
No. of channels	12
Diagnostics messages	Short-circuit or overload of the digital outputs yes
	Sensor supply failure yes
	Failure of the actuator supply yes

## Electrical properties

No. of channels	12
Maximum power dissipation for nominal condition	23.5 W
Power dissipation	typ. 1.7 W (entire device)

## Potentials

Power consumption	typ. 3 W (entire device)
Protective circuit	Short-circuit protection of the communications power; electronic
	Short-circuit protection of the analog supply; electronic

Potentials: Bus coupler supply  $U_{BK}$ ; Communications power  $U_L$  (7.5 V) and the analog supply  $U_{ANA}$  (24 V) are generated from the bus coupler supply.

Supply voltage	24 V DC (via Inline connector)
Supply voltage range	19.2 V DC ... 30 V DC (including all tolerances, including ripple)
Current draw	max. 0.98 A (with max. number of connected I/O terminal blocks)
	80 mA (without connected I/O terminal blocks)

## Potentials: Communications power ( $U_L$ )

Supply voltage	7.5 V DC
----------------	----------

## Potentials: Supply of analog modules ( $U_{ANA}$ )

Supply voltage	24 V DC
Supply voltage range	19.2 V DC ... 30 V DC (including all tolerances, including ripple)

## Potentials: Main circuit supply ( $U_M$ )

Supply voltage	24 V DC (via Inline connector)
Supply voltage range	19.2 V DC ... 30 V DC (including all tolerances, including ripple)
Current draw	max. 8 A DC
	min. 3 mA (without connected peripherals)

## Potentials: Segment circuit supply ( $U_S$ )

Supply voltage	24 V DC (via Inline connector)
Supply voltage range	19.2 V DC ... 30 V DC (including all tolerances, including ripple)
Current draw	max. 8 A DC
	min. 6 mA (without connected peripherals)

## Connection data

### Connection technology

Connection name	Inline connector
-----------------	------------------

### Conductor connection

Connection method	Spring-cage connection
Conductor cross section rigid	0.08 mm <sup>2</sup> ... 1.5 mm <sup>2</sup>
Conductor cross section flexible	0.08 mm <sup>2</sup> ... 1.5 mm <sup>2</sup>
Conductor cross section AWG	28 ... 16
Stripping length	8 mm

### Inline connector

Connection method	Spring-cage connection
Conductor cross section, rigid	0.08 mm <sup>2</sup> ... 1.5 mm <sup>2</sup>
Conductor cross section, flexible	0.08 mm <sup>2</sup> ... 1.5 mm <sup>2</sup>
Conductor cross section AWG	28 ... 16
Stripping length	8 mm

## Environmental and real-life conditions

### Ambient conditions

Ambient temperature (operation)	-25 °C ... 60 °C
Degree of protection	IP20
Air pressure (operation)	70 kPa ... 106 kPa (up to 3000 m above sea level)
Air pressure (storage/transport)	70 kPa ... 106 kPa (up to 3000 m above sea level)
Ambient temperature (storage/transport)	-25 °C ... 85 °C
Permissible humidity (operation)	10 % ... 95 % (non-condensing)
Permissible humidity (storage/transport)	10 % ... 95 % (non-condensing)

## Standards and regulations

Protection class	III (IEC 61140, EN 61140, VDE 0140-1)
------------------	---------------------------------------

## Mounting

Mounting type	DIN rail mounting
---------------	-------------------

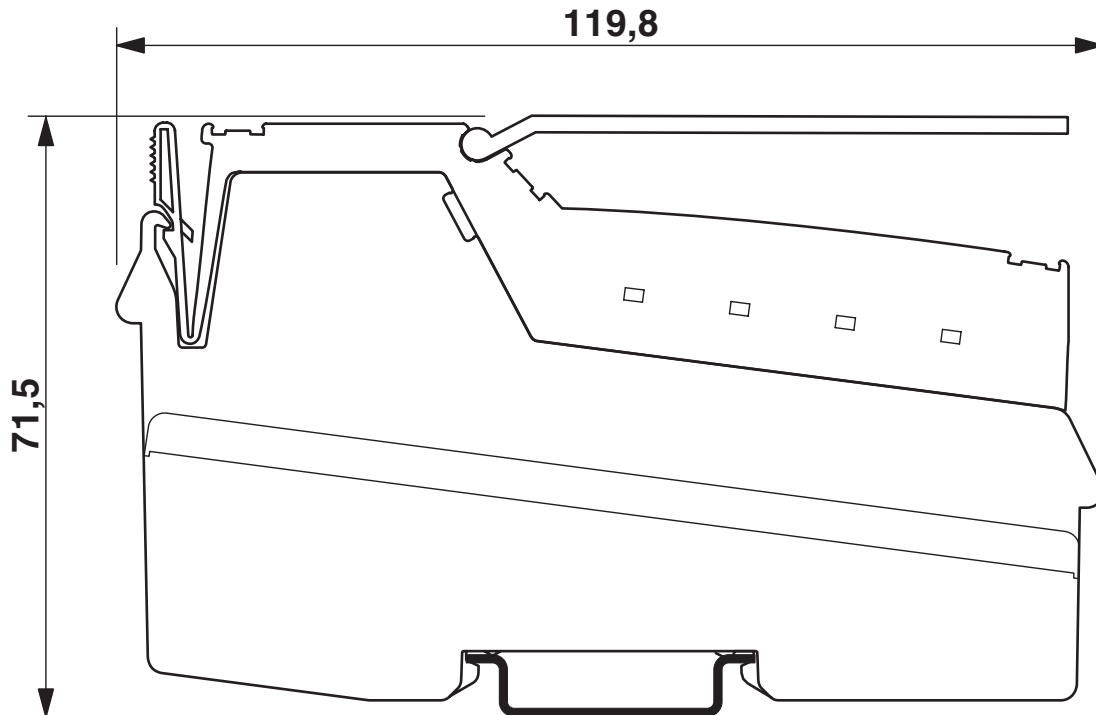
# IL EIP BK DI8 DO4 2TX-PAC - Bus coupler

2897758

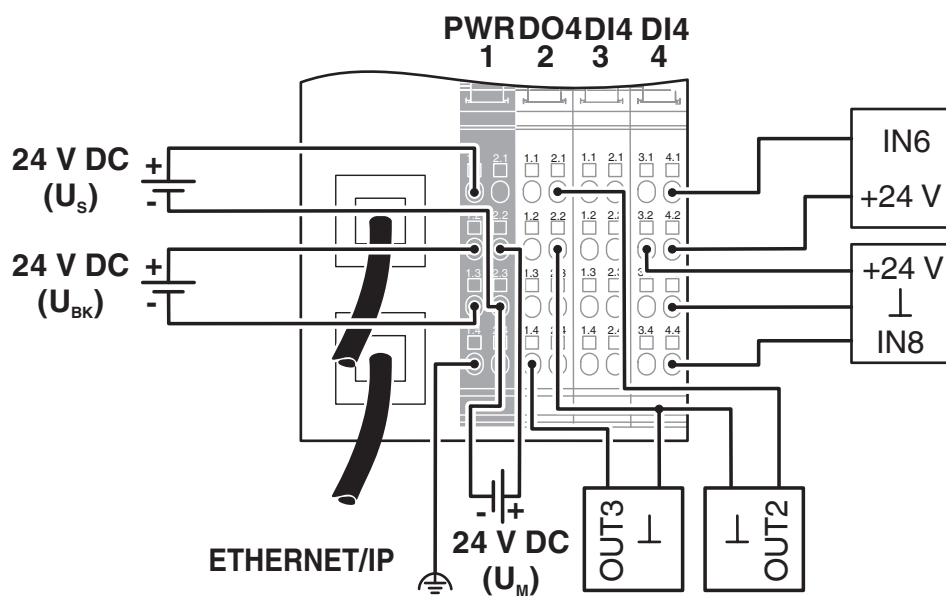
<https://www.phoenixcontact.com/in/products/2897758>

## Drawings

Dimensional drawing



Connection diagram



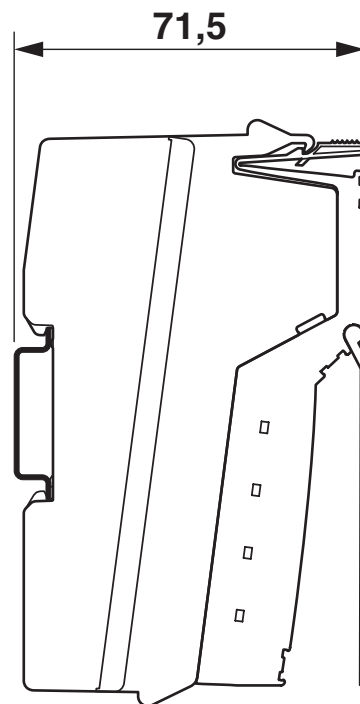
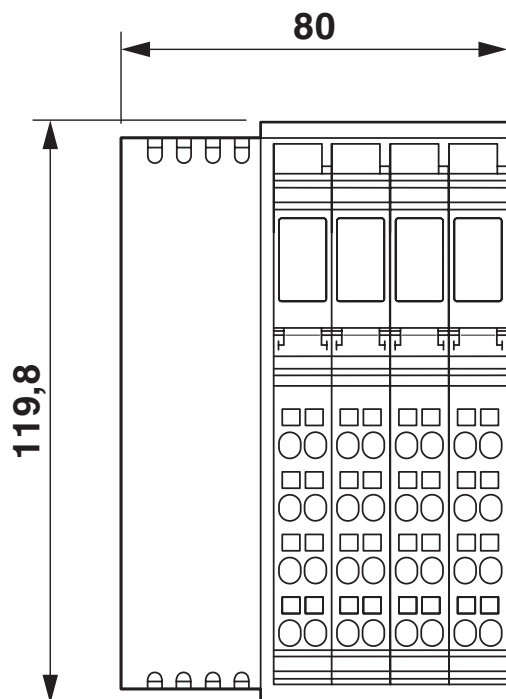
# IL EIP BK DI8 DO4 2TX-PAC - Bus coupler

2897758

<https://www.phoenixcontact.com/in/products/2897758>



Dimensional drawing



# IL EIP BK DI8 DO4 2TX-PAC - Bus coupler



2897758

<https://www.phoenixcontact.com/in/products/2897758>

## Approvals



**cUL Recognized**  
Approval ID: FILE E 140324



**UL Recognized**  
Approval ID: FILE E 140324



**cUL Listed**  
Approval ID: FILE E 199827



**UL Listed**  
Approval ID: FILE E 199827



# IL EIP BK DI8 DO4 2TX-PAC - Bus coupler



2897758

<https://www.phoenixcontact.com/in/products/2897758>

## Classifications

### ECLASS

ECLASS-11.0	27242608
ECLASS-12.0	27242608
ECLASS-13.0	27242608

### ETIM

ETIM 8.0	EC001604
----------	----------

### UNSPSC

UNSPSC 21.0	32151600
-------------	----------

# IL EIP BK DI8 DO4 2TX-PAC - Bus coupler



2897758

<https://www.phoenixcontact.com/in/products/2897758>

## Environmental Product Compliance

REACH SVHC	Lead 7439-92-1
China RoHS	Environmentally friendly use period: unlimited = EFUP-e
	No hazardous substances above threshold values

# IL EIP BK DI8 DO4 2TX-PAC - Bus coupler

2897758

<https://www.phoenixcontact.com/in/products/2897758>



## Accessories

### CLIPFIX 35 - End clamp

3022218

<https://www.phoenixcontact.com/in/products/3022218>

Quick mounting end clamp for NS 35/7,5 DIN rail or NS 35/15 DIN rail, with marking option, width: 9.5 mm, color: gray



---

### E/UK - End clamp

1201442

<https://www.phoenixcontact.com/in/products/1201442>

End clamp, material: PA, color: gray, Mounting on a DIN rail NS 32 or NS 35



# IL EIP BK DI8 DO4 2TX-PAC - Bus coupler

2897758

<https://www.phoenixcontact.com/in/products/2897758>



## ESL 62X46 - Insert strip

0809502

<https://www.phoenixcontact.com/in/products/0809502>

Insert strip, Sheet, white, unlabeled, can be labeled with: Office printing systems:  
Laser printer, mounting type: insert, lettering field size: 62 x 46 mm, Number of  
individual labels: 15



---

## IB IL FIELD 8 - Labeling field

2727515

<https://www.phoenixcontact.com/in/products/2727515>

Labeling field, width: 48.8 mm



# IL EIP BK DI8 DO4 2TX-PAC - Bus coupler

2897758

<https://www.phoenixcontact.com/in/products/2897758>



## ESL 62X10 - Insert strip

0809492

<https://www.phoenixcontact.com/in/products/0809492>

Insert strip, Sheet, white, unlabeled, can be labeled with: Office printing systems: Laser printer, mounting type: insert, lettering field size: 62 x 10 mm, Number of individual labels: 72



---

## IB IL FIELD 2 - Labeling field

2727501

<https://www.phoenixcontact.com/in/products/2727501>

Labeling field, width: 12.2 mm



# IL EIP BK DI8 DO4 2TX-PAC - Bus coupler

2897758

<https://www.phoenixcontact.com/in/products/2897758>



## FL PLUG RJ45 GR/2 - RJ45 connector

2744856

<https://www.phoenixcontact.com/in/products/2744856>



RJ45 connector, design: RJ45, degree of protection: IP20, number of positions: 8, 1 Gbps, CAT5 (IEC 11801:2002), material: Plastic, connection method: Crimp connection, cable outlet: straight, color: green, Ethernet

---

## FL PLUG RJ45 GN/2 - RJ45 connector

2744571

<https://www.phoenixcontact.com/in/products/2744571>



RJ45 connector, design: RJ45, degree of protection: IP20, number of positions: 8, 1 Gbps, CAT5 (IEC 11801:2002), material: Plastic, connection method: Crimp connection, cable outlet: straight, color: green, Ethernet

# IL EIP BK DI8 DO4 2TX-PAC - Bus coupler

2897758

<https://www.phoenixcontact.com/in/products/2897758>



## FL CAT5 HEAVY - Data cable

2744814

<https://www.phoenixcontact.com/in/products/2744814>



CAT5-SF/UTP cable (J-02YS(ST)C HP 2 x 2 x 24 AWG), heavy-duty installation cable, 2 x 2 x 0.22 mm<sup>2</sup>, solid conductor, shielded, outer sheath: 7.8 mm diameter, inner sheath: 5.75 mm ± 0.15 mm diameter

---

## FL CAT5 FLEX - Installation cable

2744830

<https://www.phoenixcontact.com/in/products/2744830>



By the meter, Installation cable, Ethernet CAT5 (100 Mbps), shielded, PUR halogen-free, water blue RAL 5021, 4-wire (2x2xAWG26/7; SF/UTP), color single wire: white/orange-orange, white/green-green, cable length: Free entry (1.0 ... 1000.0 m)

# IL EIP BK DI8 DO4 2TX-PAC - Bus coupler

2897758

<https://www.phoenixcontact.com/in/products/2897758>



## FL CRIMPTOOL - Assembly tool

2744869

<https://www.phoenixcontact.com/in/products/2744869>

Crimping pliers, for assembling the RJ45 plugs FL PLUG RJ45..., for assembly on site



---

## IL BKDIO-PLSET - Connector set

2878599

<https://www.phoenixcontact.com/in/products/2878599>

Connector set, for Inline bus coupler with I/Os mounted in rows



---

Phoenix Contact 2023 © - all rights reserved  
<https://www.phoenixcontact.com>

PHOENIX CONTACT (I) Pvt. Ltd.  
A-58/2, Okhla Industrial Area, Phase - II, New Delhi-110 020

+91.1275.71420  
[info@phoenixcontact.co.in](mailto:info@phoenixcontact.co.in)