

RAD-ISM-2400-ANT-OMNI-6-0 - Antenna



2885919

<https://www.phoenixcontact.com/in/products/2885919>

Please be informed that the data shown in this PDF document is generated from our Online Catalog. Please find the complete data in the user documentation. Our General Terms of Use for Downloads are valid.

Omnidirectional antenna for wall or mast mounting, 2.4 GHz, gain: 6 dBi, degree of protection: IP67, saltwater-resistant, shock- and vibration-resistant, connection: N (female), incl. mounting bracket and mast clamps, ATEX and IECEx approval



Your advantages

- Ideally suited for stationary 2.4 GHz applications
- For use in potentially explosive areas
- Salt water resistant

Commercial Data

Item number	2885919
Packing unit	1 pc
Minimum order quantity	1 pc
Sales Key	DNN
Product Key	DNN2Z1
Catalog Page	Page 389 (C-6-2019)
GTIN	4046356146319
Weight per Piece (including packing)	388.7 g
Weight per Piece (excluding packing)	388.7 g
Customs tariff number	85177100
Country of origin	PL

Technical Data

Notes

Utilization restriction

CCCex note	Use in potentially explosive areas is not permitted in China.
------------	---

Product properties

Product type	Antenna
Radiation characteristics	Omnidirectional
Gain	6 dBi
Vertical beamwidth	30 °
Horizontal beamwidth	360 °
Polarization	Linear vertical

Electrical properties

Frequency band	2.4 GHz
Frequency range	2.4 GHz ... 2.5 GHz
Impedance	50 Ω
Maximum capacity	25.00 W

Connection data

Connection technology

Connection method	N (female)
Outside diameter	25 mm ... 100 mm (Mast)

Ex data

Safety data

Input voltage U_i	30 V
Input current I_i	600 mA
Input power P_i	≤ 1 W (30 dB)
Max. internal inductance L_i	negligible
Capacitance C_i	negligible

Dimensions

Height	250 mm
Diameter	22 mm

External dimensions

Outside diameter	25 mm ... 100 mm (Mast)
------------------	-------------------------

Material specifications

Material	Fiberglass-reinforced plastic V2A
----------	--------------------------------------

RAD-ISM-2400-ANT-OMNI-6-0 - Antenna



2885919

<https://www.phoenixcontact.com/in/products/2885919>

	V2A
Flammability rating according to UL 94	HB

Cable/line

Connecting cable	No
Other resistance	salt water resistant

Environmental and real-life conditions

Ambient conditions

Degree of protection	IP67
Ambient temperature (operation)	-40 °C ... 75 °C
Ambient temperature (storage/transport)	-40 °C ... 75 °C
Wind velocity	220 km/h

Approvals

Electronic devices in rail vehicles

Shock (operation)	IEC 60721-3-4, 4M5
Vibration (operation)	IEC 60721-3-4, 4M5 Random

Standards and regulations

Other resistance	salt water resistant
Standards/specifications	EN 60079-0
	EN 60079-11
	EN 60079-26

Mounting

Mounting type	Wall mounting
	Mast mounting
Assembly instructions	Outdoors and indoors
Connection method	N (female)

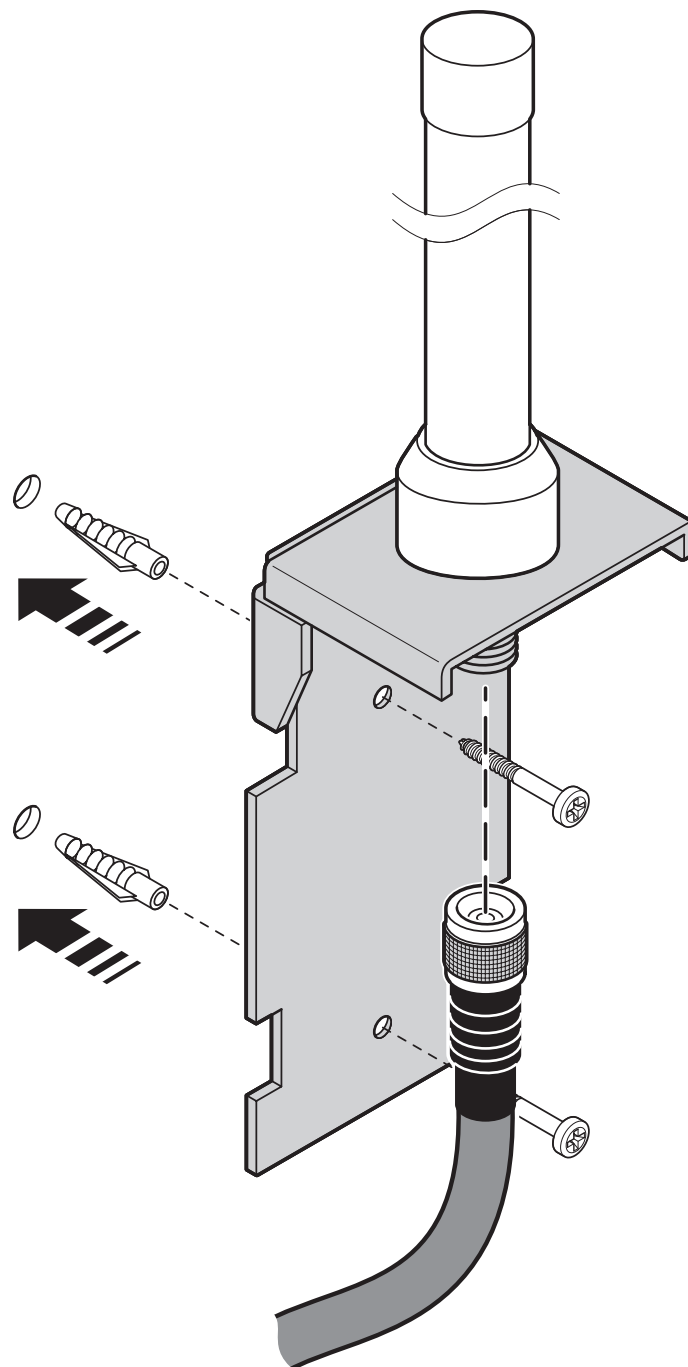
RAD-ISM-2400-ANT-OMNI-6-0 - Antenna

2885919

<https://www.phoenixcontact.com/in/products/2885919>

Drawings

Schematic diagram



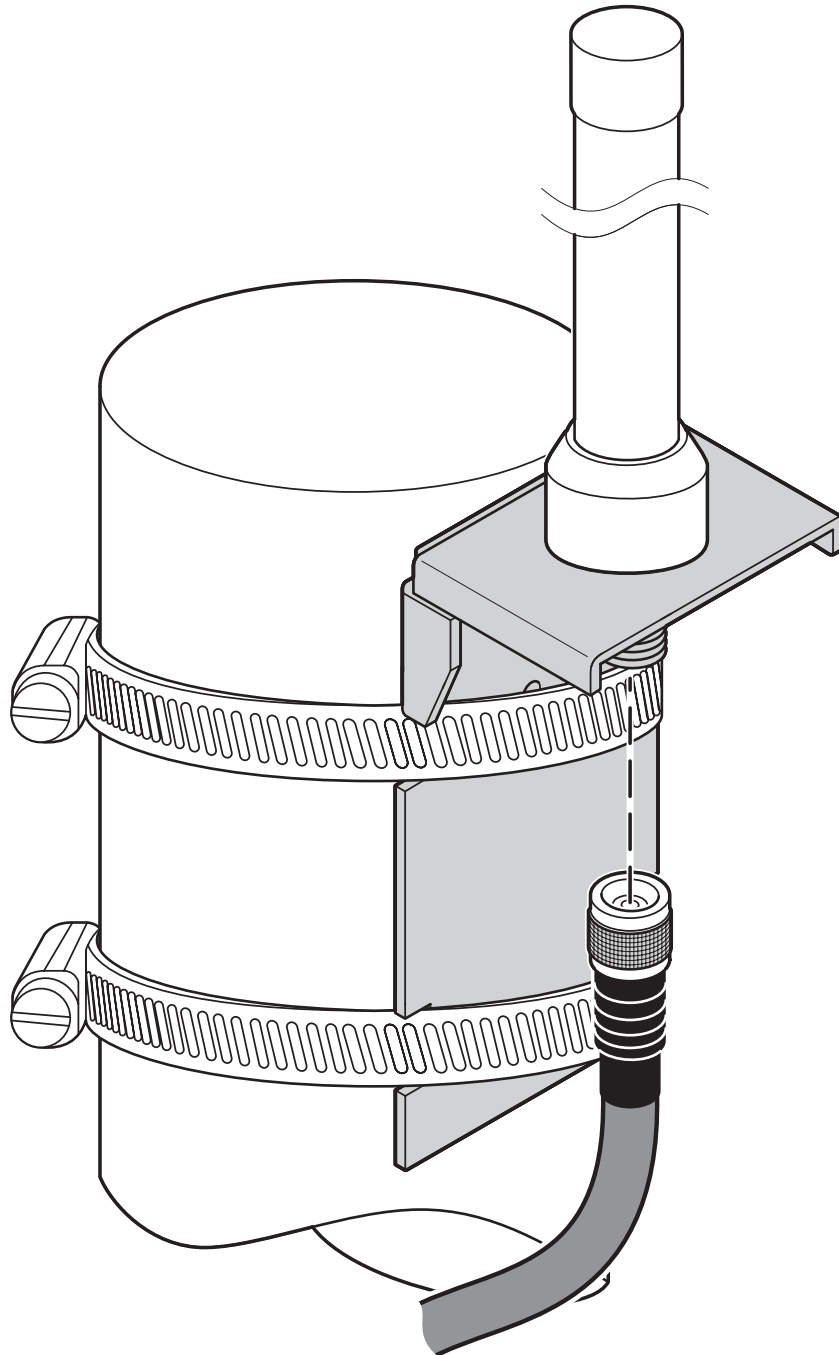
Wall mounting

RAD-ISM-2400-ANT-OMNI-6-0 - Antenna

2885919

<https://www.phoenixcontact.com/in/products/2885919>

Schematic diagram

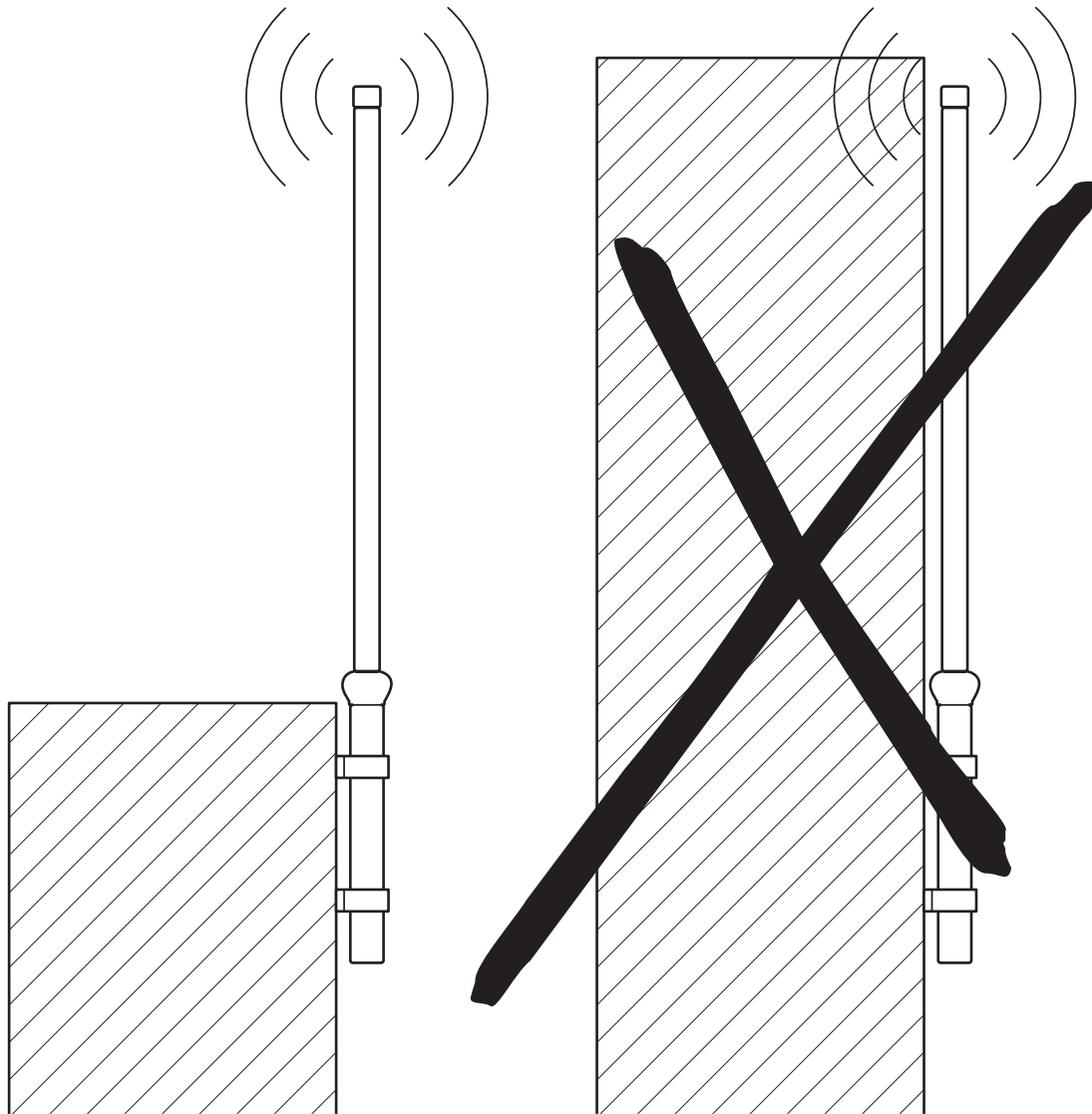


Mast mounting

2885919

<https://www.phoenixcontact.com/in/products/2885919>

Schematic diagram

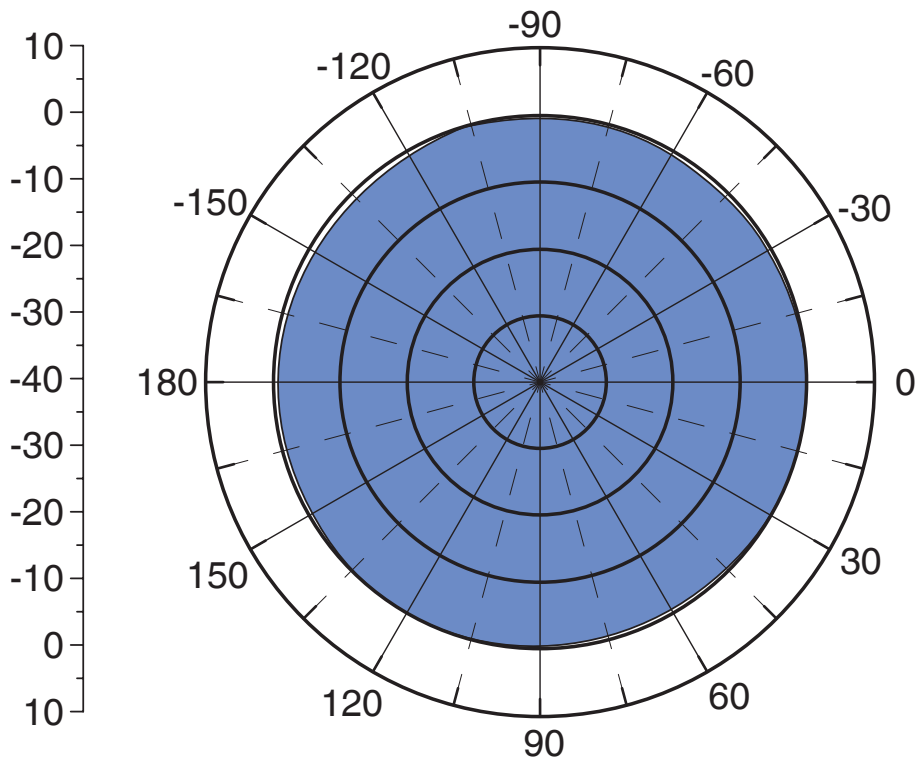


Wall mounting

2885919

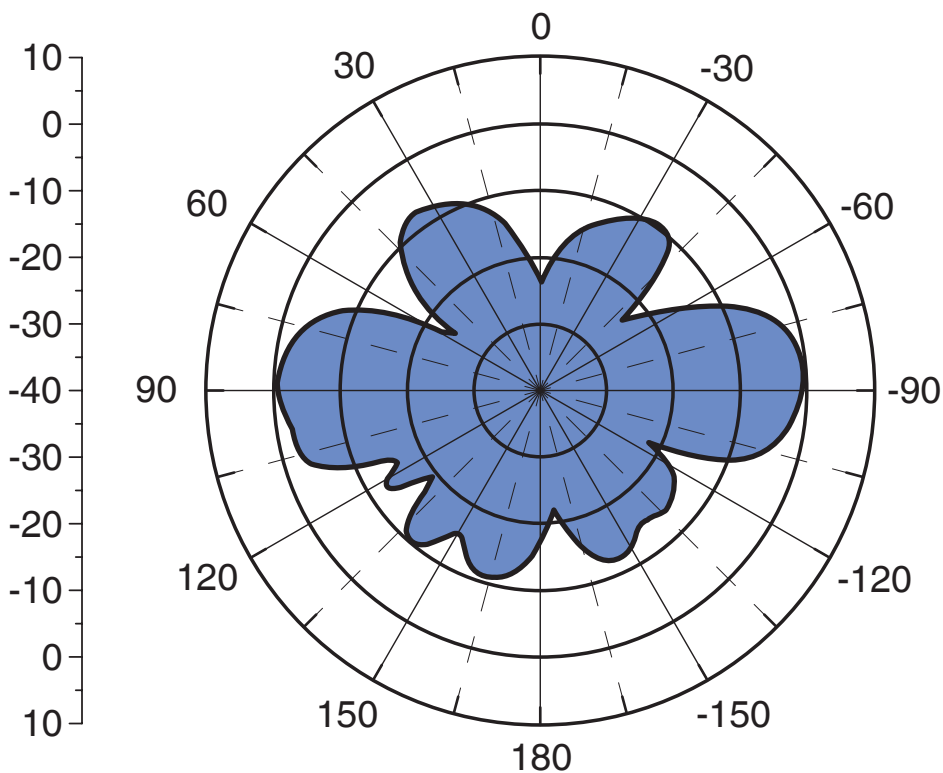
<https://www.phoenixcontact.com/in/products/2885919>

Diagram



Horizontal

Diagram



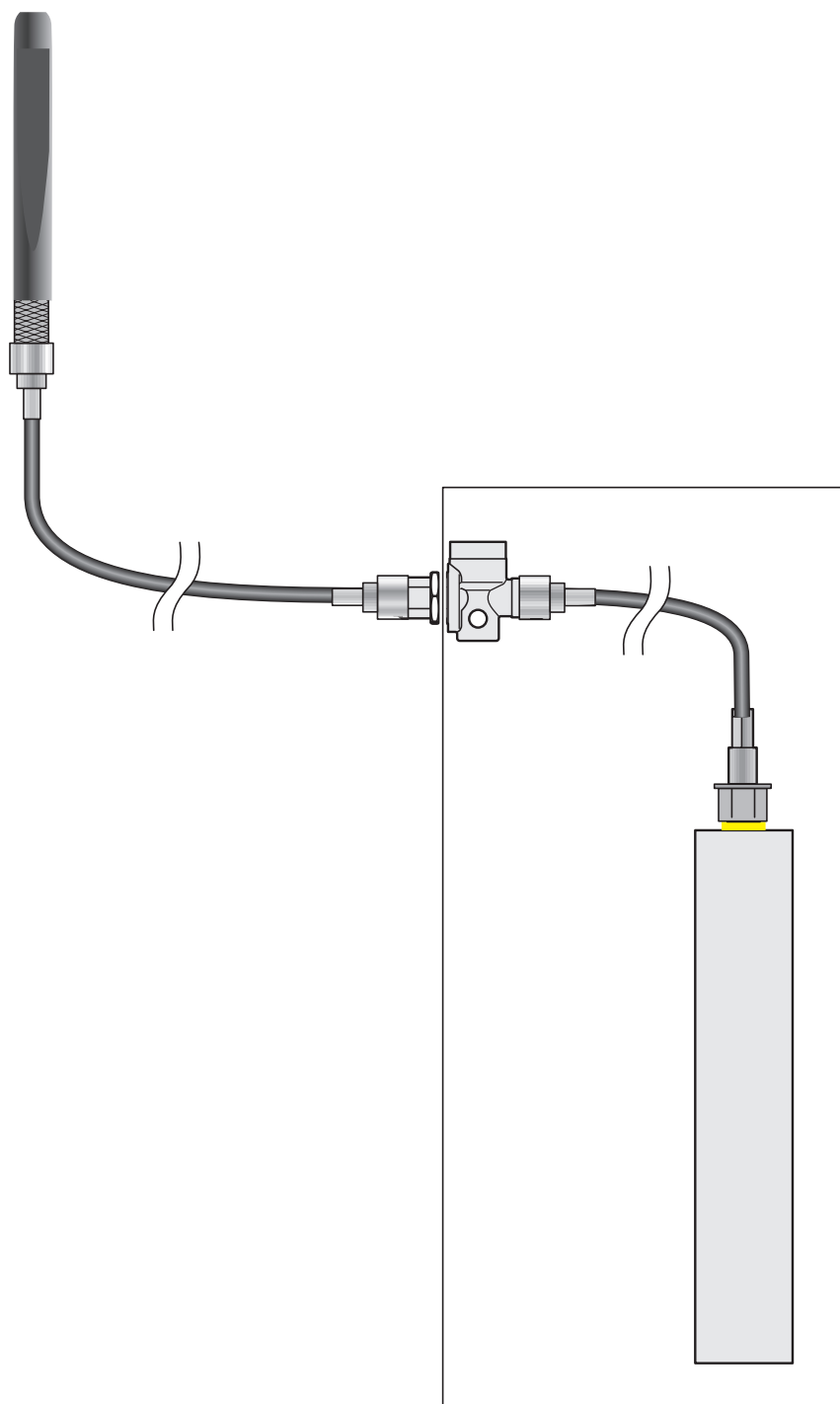
Vertical

RAD-ISM-2400-ANT-OMNI-6-0 - Antenna

2885919

<https://www.phoenixcontact.com/in/products/2885919>

Schematic diagram



Installation example

RAD-ISM-2400-ANT-OMNI-6-0 - Antenna



2885919

<https://www.phoenixcontact.com/in/products/2885919>

Approvals



IECEX

Approval ID: IECEX IBE 14.0039X



ATEX

Approval ID: IBExU 14 ATEX 1116 X

RAD-ISM-2400-ANT-OMNI-6-0 - Antenna



2885919

<https://www.phoenixcontact.com/in/products/2885919>

Classifications

ECLASS

ECLASS-11.0	19070105
ECLASS-12.0	19070105
ECLASS-13.0	19070105

ETIM

ETIM 8.0	EC001698
----------	----------

UNSPSC

UNSPSC 21.0	43223100
-------------	----------

RAD-ISM-2400-ANT-OMNI-6-0 - Antenna



2885919

<https://www.phoenixcontact.com/in/products/2885919>

Environmental Product Compliance

China RoHS	Environmentally friendly use period: unlimited = EFUP-e
	No hazardous substances above threshold values

Phoenix Contact 2023 © - all rights reserved
<https://www.phoenixcontact.com>

PHOENIX CONTACT (I) Pvt. Ltd.
A-58/2, Okhla Industrial Area, Phase - II, New Delhi-110 020

+91.1275.71420
info@phoenixcontact.co.in