

DT-LAN-CAT.6+ - Surge protection device



2881007

<https://www.phoenixcontact.com/in/products/2881007>

Please be informed that the data shown in this PDF document is generated from our Online Catalog. Please find the complete data in the user documentation. Our General Terms of Use for Downloads are valid.



Surge protection in accordance with Class E_A (CAT6_A), for Gigabit Ethernet (up to 10 Gbps), token ring, FDDI/CDDI, ISDN, and DS1. Suitable for Power over Ethernet (PoE++ / 4PPoE) "Mode A" and "Mode B". RJ45 attachment plug with separate grounding cable and ground connection snap-on foot for NS 35 DIN rails.

Your advantages

- Can be used in applications up to 10 Gbps with adapted protective circuit
- High power transmission with PoE++ / 4PPoE support
- Easy network integration via RJ45 jacks
- Can be installed in a control cabinet by removing the ground connection adapter

Commercial Data

Item number	2881007
Packing unit	1 pc
Minimum order quantity	1 pc
Sales Key	CL3
Product Key	CL3112
Catalog Page	Page 142 (C-4-2017)
GTIN	4046356151900
Weight per Piece (including packing)	314.857 g
Weight per Piece (excluding packing)	314.1 g
Customs tariff number	85363010
Country of origin	DE

DT-LAN-CAT.6+ - Surge protection device

2881007

<https://www.phoenixcontact.com/in/products/2881007>

Technical Data

Product properties

IEC test classification	B2
	C1
	C2
	C3
	D1
Type	Attachment plug for DIN rail mounting
Product type	Surge protection for information technology
Product family	DATATRAB
Number of positions	8
Wire pairs per module	4

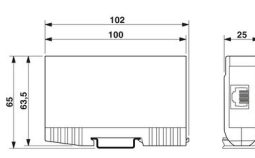
Insulation characteristics

Overvoltage category	II
Pollution degree	2

Connection data

Connection method	RJ45
-------------------	------

Dimensions

Dimensional drawing	
Width	25 mm
Height	102 mm
Depth	63.5 mm

Material specifications

Color	silver/black
Housing material	Zinc die-cast

Mechanical properties

Mechanical data

Open side panel	No
-----------------	----

Protective circuit

Direction of action	Line-Line & Line-Ground/Shield
Maximum continuous voltage U_C (line-line)	≤ 3.3 V DC (± 60 V DC/PoE)

DT-LAN-CAT.6+ - Surge protection device



2881007

<https://www.phoenixcontact.com/in/products/2881007>

Rated current	≤ 1.5 A (25 °C)
Operating effective current I_C at U_C	≤ 1 μ A
Residual current I_{PE}	≤ 400 μ A
Nominal discharge current I_n (8/20) μ s (line-line)	100 A
Nominal discharge surge current I_n (8/20) μ s (Core-Earth)	2 kA (per signal pair)
Pulse discharge current I_{imp} (10/350) μ s (line-earth)	1 kA
Total discharge current I_{total} (8/20) μ s	10 kA
Nominal pulse current I_{an} (10/700) μ s (line-line)	≤ 40 A
Nominal pulse current I_{an} (10/700) μ s (line-earth)	≤ 160 A
Output voltage limitation at 1 kV/ μ s (line-line) spike	≤ 85 V (PoE)
Output voltage limitation at 1 kV/ μ s (line-earth) spike	≤ 700 V
Output voltage limitation at 1 kV/ μ s (line-line) static	≤ 9 V
Output voltage limitation at 1 kV/ μ s (line-earth) static	≤ 700 V
Residual voltage at I_n (conductor-conductor)	≤ 15 V
	≤ 100 V (PoE)
Voltage protection level U_p (line-line)	≤ 9 V (B2 - 1 kV / 25 A)
	≤ 100 V (B2 - 1 kV / 25 A - PoE)
	≤ 12 V (C3 - 20 A)
Voltage protection level U_p (line-earth)	≤ 900 V (B2 - 4 kV / 100 A)
	≤ 700 V (C2 - 4 kV / 2 kA)
	≤ 1 kV (C3 - 80 A)
Response time t_A (line-line)	≤ 1 ns
Response time t_A (line-earth)	≤ 100 ns
Input attenuation aE, sym.	≤ 1 dB (up to 100 MHz/direct measuring)
	≤ 1 dB (up to 250 MHz/direct measuring)
	≤ 3 dB (up to 500 MHz/direct measuring)
Near-end crosstalk attenuation	≥ 35 dB (250 MHz/100 Ω /link)
	≥ 45 dB (100 MHz / 100 Ω / Link)
	≥ 27 dB (500 MHz / 100 Ω / Link)
	≥ 39 dB (250 MHz/100 Ω /direct measuring)
Capacity (Core-Core)	typ. 12 pF (f= 1 MHz / VR= 0 V)
Capacity (Core-Earth)	typ. 2 pF (f= 1 MHz / VR= 0 V)
Surge protection fault message	none
Impulse durability (line-line)	B2 - 1 kV / 25 A
	C3 - 20 A
Impulse durability (line-earth)	B2 - 4 kV / 100 A
	C2 - 4 kV / 2 kA
	C3 - 80 A
	D1 - 1 kA

Environmental and real-life conditions

Ambient conditions

Degree of protection	IP20
----------------------	------

DT-LAN-CAT.6+ - Surge protection device



2881007

<https://www.phoenixcontact.com/in/products/2881007>

Ambient temperature (operation)	-40 °C ... 70 °C
Ambient temperature (storage/transport)	-40 °C ... 70 °C
Altitude	≤ 4000 m (amsl (above mean sea level))
Permissible humidity (operation)	5 % ... 85 %

Standards and regulations

Standards/specifications	IEC 61643-21
Standards/specifications	EN 50173-1
Standards/specifications	ISO/IEC 11801-Am.1

Mounting

Mounting type	Connection-specific attachment plug and DIN rail, 35 mm
---------------	---

DT-LAN-CAT.6+ - Surge protection device

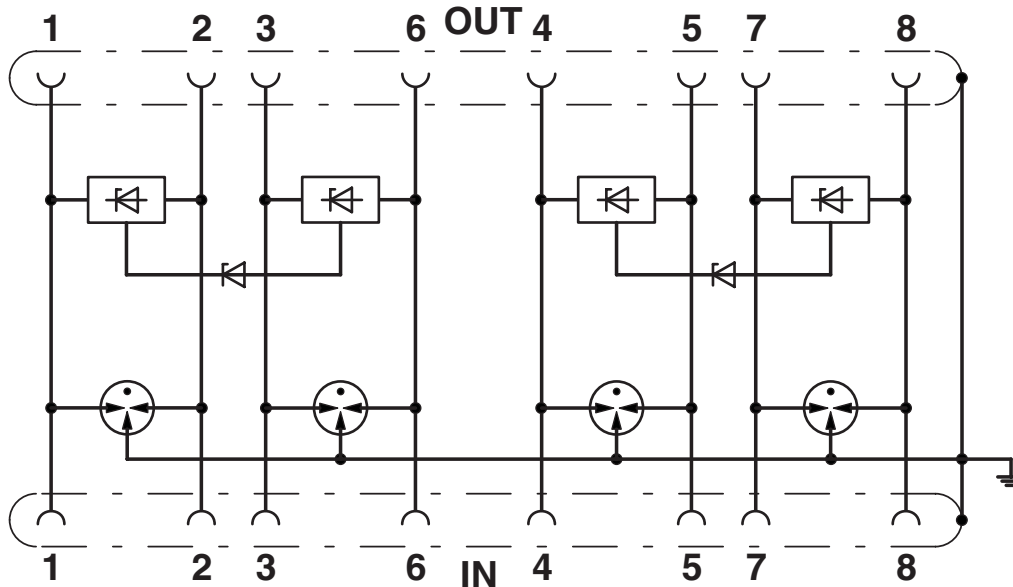


2881007

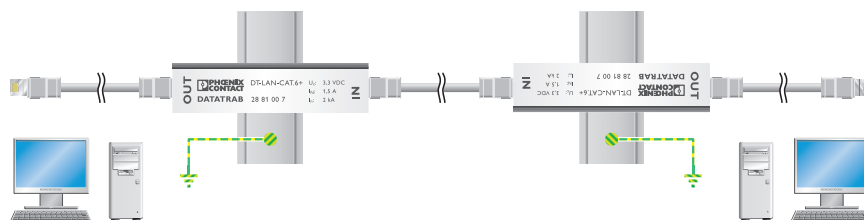
<https://www.phoenixcontact.com/in/products/2881007>

Drawings

Circuit diagram



Application drawing



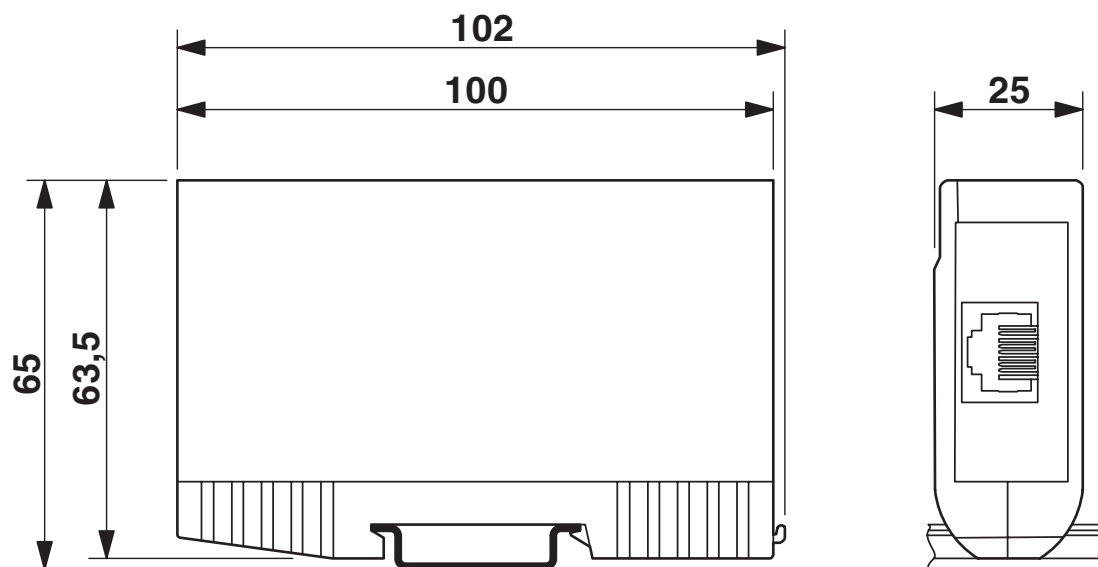
DT-LAN-CAT.6+ - Surge protection device

2881007

<https://www.phoenixcontact.com/in/products/2881007>



Dimensional drawing



DT-LAN-CAT.6+ - Surge protection device



2881007

<https://www.phoenixcontact.com/in/products/2881007>

Approvals



EAC

Approval ID: EAC-Zulassung



EAC

Approval ID: RU C-DE.*09.B.00169



UL Listed

Approval ID: FILE E 138168

DT-LAN-CAT.6+ - Surge protection device



2881007

<https://www.phoenixcontact.com/in/products/2881007>

Classifications

ECLASS

ECLASS-11.0

27130807

ETIM

ETIM 8.0

EC000943

UNSPSC

UNSPSC 21.0

39121600

DT-LAN-CAT.6+ - Surge protection device



2881007

<https://www.phoenixcontact.com/in/products/2881007>

Environmental Product Compliance

REACH SVHC	Lead 7439-92-1
China RoHS	Environmentally Friendly Use Period = 50 years
	For information on hazardous substances, refer to the manufacturer's declaration available under "Downloads"

DT-LAN-CAT.6+ - Surge protection device

2881007

<https://www.phoenixcontact.com/in/products/2881007>

Accessories

FL CAT6 PATCH 0,5 - Patch cable

2891288

<https://www.phoenixcontact.com/in/products/2891288>

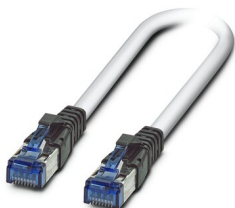


Patch cable, CAT6, pre-assembled, 0.5 m

FL CAT6 PATCH 1,0 - Patch cable

2891385

<https://www.phoenixcontact.com/in/products/2891385>



Patch cable, CAT6, pre-assembled, 1.0 m

DT-LAN-CAT.6+ - Surge protection device

2881007

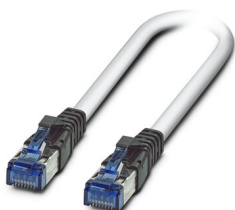
<https://www.phoenixcontact.com/in/products/2881007>



FL CAT6 PATCH 2,0 - Patch cable

2891589

<https://www.phoenixcontact.com/in/products/2891589>



Patch cable, CAT6, pre-assembled, 2.0 m

Phoenix Contact 2023 © - all rights reserved

<https://www.phoenixcontact.com>

PHOENIX CONTACT (I) Pvt. Ltd.

A-58/2, Okhla Industrial Area, Phase - II, New Delhi-110 020

+91.1275.71420

info@phoenixcontact.co.in