

MINI-PS- 12- 24DC/24DC/1 - DC/DC converters



2866284

<https://www.phoenixcontact.com/in/products/2866284>

Please be informed that the data shown in this PDF document is generated from our Online Catalog. Please find the complete data in the user documentation. Our General Terms of Use for Downloads are valid.



Please use the following items in new systems: 1066703, 1066716, 1066718, 1066714.
Primary-switched MINI DC/DC converter for DIN rail mounting, input: 12 - 24 V DC, output: 24 V DC/1 A

Product Description

MINI DC/DC converter for MCR technology.

DC/DC converters alter the voltage level, regenerate the voltage at the end of long cables or enable the creation of independent supply systems by means of electrical isolation.

Your advantages

- Electrical isolation: for setting up independent supply systems
- Support conversion to various voltage levels
- Constant voltage: output voltage regenerated even at the end of long cables

Commercial Data

Item number	2866284
Packing unit	1 pc
Minimum order quantity	1 pc
Sales Key	CMD
Product Key	CMDM43
Catalog Page	Page 298 (C-4-2019)
GTIN	4017918960902
Weight per Piece (including packing)	235.1 g
Weight per Piece (excluding packing)	235 g
Customs tariff number	85044083
Country of origin	CN

Technical Data

Input data

DC operation

Nominal input voltage range	12 V DC ... 24 V DC
Input voltage range	10 V DC ... 32 V DC
Wide-range input	yes
Input voltage range DC	10 V DC ... 32 V DC
Voltage type of supply voltage	DC
Inrush current	< 15 A (typical)
Inrush current integral (I^2t)	1.8 A ² s
Frequency range DC	0 Hz
Mains buffering time	typ. 3 ms (12 V DC) typ. 20 ms (24 V DC)
Current consumption	2.6 A (12 V DC) 1.3 A (24 V DC)
Typical response time	< 0.5 s
Input fuse	6.3 A (slow-blow, internal)

Output data

Efficiency	> 83 % (at 24 V DC and nominal values)
Output characteristic	U/I
Nominal output voltage	24 V DC \pm 1 %
Setting range of the output voltage (U_{Set})	22.5 V DC ... 28.5 V DC (> 24 V DC, constant capacity restricted)
Nominal output current (I_N)	1 A (-25 °C ... 60 °C)
Derating	60 °C ... 70 °C (2.5%/K)
Residual ripple	< 30 mV _{PP} (20 MHz)
Output power	24 W
Peak switching voltages nominal load	< 100 mV _{PP} (20 MHz)
Maximum no-load power dissipation	< 1.2 W
Power loss nominal load max.	< 5 W
Connection in parallel	yes, for assembling redundant systems and increasing efficiency
Connection in series	yes

Signal: DC OK active

Output description	$U_{OUT} > 21.5$ V: High signal
Maximum switching voltage	≤ 24 V DC
Output voltage	+ 24 V (Signal)
Continuous load current	≤ 20 mA

Connection data

Input

Connection method	Pluggable screw connection
-------------------	----------------------------

MINI-PS- 12- 24DC/24DC/1 - DC/DC converters



2866284

<https://www.phoenixcontact.com/in/products/2866284>

Conductor cross section, rigid min.	0.2 mm ²
Conductor cross section, rigid max.	2.5 mm ²
Conductor cross section flexible min.	0.2 mm ²
Conductor cross section flexible max.	2.5 mm ²
Conductor cross section AWG min.	24
Conductor cross section AWG max.	14
Stripping length	7 mm
Screw thread	M3

Output

Connection method	Pluggable screw connection
Conductor cross section, rigid min.	0.2 mm ²
Conductor cross section, rigid max.	2.5 mm ²
Conductor cross section flexible min.	0.2 mm ²
Conductor cross section flexible max.	2.5 mm ²
Conductor cross section AWG min.	24
Conductor cross section AWG max.	14
Stripping length	7 mm
Screw thread	M3

Signal

Conductor cross section, rigid min.	0.2 mm ²
Conductor cross section, rigid max.	2.5 mm ²
Conductor cross section flexible min.	0.2 mm ²
Conductor cross section flexible max.	2.5 mm ²
Conductor cross section AWG min.	24
Conductor cross section AWG max.	14
Screw thread	M3
Tightening torque, min	0.5 Nm
Tightening torque max	0.6 Nm

Signaling

Types of signaling	LED
	Active switching output
Operating voltage display	Green LED

Signal output: DC OK active

Status display	"DC OK" LED green
----------------	-------------------

Electrical properties

Number of phases	1.00
Insulation voltage input/output	1.5 kV (type test)
	1 kV (routine test)

Product properties

Product type	DC/DC converters
--------------	------------------

MINI-PS- 12- 24DC/24DC/1 - DC/DC converters



2866284

<https://www.phoenixcontact.com/in/products/2866284>

MTBF (IEC 61709, SN 29500)	> 2569000 h (40 °C)
----------------------------	---------------------

Insulation characteristics

Protection class	III
------------------	-----

Dimensions

Width	22.5 mm
Height	99 mm
Depth	107 mm

Installation dimensions

Installation distance right/left	0 mm / 0 mm (≤ 70 °C)
Installation distance top/bottom	50 mm / 50 mm (≤ 70 °C)

Mounting

Assembly instructions	alignable: horizontally 0 mm, vertically 50 mm
Mounting position	horizontal DIN rail NS 35, EN 60715
With protective coating	No

Material specifications

Color	green
Housing material	Plastic
Type of housing	Polyamide PA, color: green

Environmental and real-life conditions

Ambient conditions

Degree of protection	IP20
Ambient temperature (operation)	-25 °C ... 70 °C (> 60 °C Derating: 2,5 %/K)
Ambient temperature (storage/transport)	-40 °C ... 85 °C
Max. permissible relative humidity (operation)	≤ 95 % (at 25 °C, non-condensing)

Standards and regulations

Rail applications	EN 50121-4
Standard – Electronic equipment for use in electrical power installations and their assembly into electrical power installations	EN 50178/VDE 0160 (PELV)
Standard - Electrical safety	EN 60950-1/VDE 0805 (SELV)
Standard - Safe isolation	DIN VDE 0100-410 DIN VDE 0106-101

Approvals

Shipbuilding approval	DNV GL (EMC A)
UL approvals	UL/C-UL listed UL 508
	UL/C-UL Recognized UL 60950-1
	UL ANSI/ISA-12.12.01 Class I, Division 2, Groups A, B, C, D (Hazardous Location)

MINI-PS- 12- 24DC/24DC/1 - DC/DC converters



2866284

<https://www.phoenixcontact.com/in/products/2866284>

EMC data

Low Voltage Directive	Conformance with Low Voltage Directive 2014/35/EC
EMC requirements for noise emission	EN 61000-6-3
	EN 61000-6-4
EMC requirements for noise immunity	EN 61000-6-1
	EN 61000-6-2
Electromagnetic compatibility	Conformance with EMC Directive 2014/30/EU
Noise emission	EN 55011 (EN 55022)

Electrostatic discharge

Standards/regulations	EN 61000-4-2
Housing	> Level 3

Electrostatic discharge

Contact discharge	8 kV (Contact discharge)
Discharge in air	8 kV (Air discharge)
Comments	Criterion B

Electromagnetic HF field

Standards/regulations	EN 61000-4-3
-----------------------	--------------

Electromagnetic HF field

Frequency range	80 MHz ... 3 GHz
Test field strength	10 V/m
Comments	Criterion A

Fast transients (burst)

Standards/regulations	EN 61000-4-4
-----------------------	--------------

Fast transients (burst)

Input	4 kV (level 4 - asymmetrical: conductor to ground)
Output	2 kV (level 3 - asymmetrical: conductor to ground)
Signal	1 kV
Comments	Level 2 - asymmetrical cable to ground

Surge voltage load (surge)

Standards/regulations	EN 61000-4-5
-----------------------	--------------

Conducted interference

Standards/regulations	EN 61000-4-6
-----------------------	--------------

Conducted interference

Input/Output	Level 3
Frequency range	0.15 MHz ... 80 MHz (10 V)

Voltage dips

Standards/regulations	EN 61000-4-11
-----------------------	---------------

MINI-PS- 12- 24DC/24DC/1 - DC/DC converters



2866284

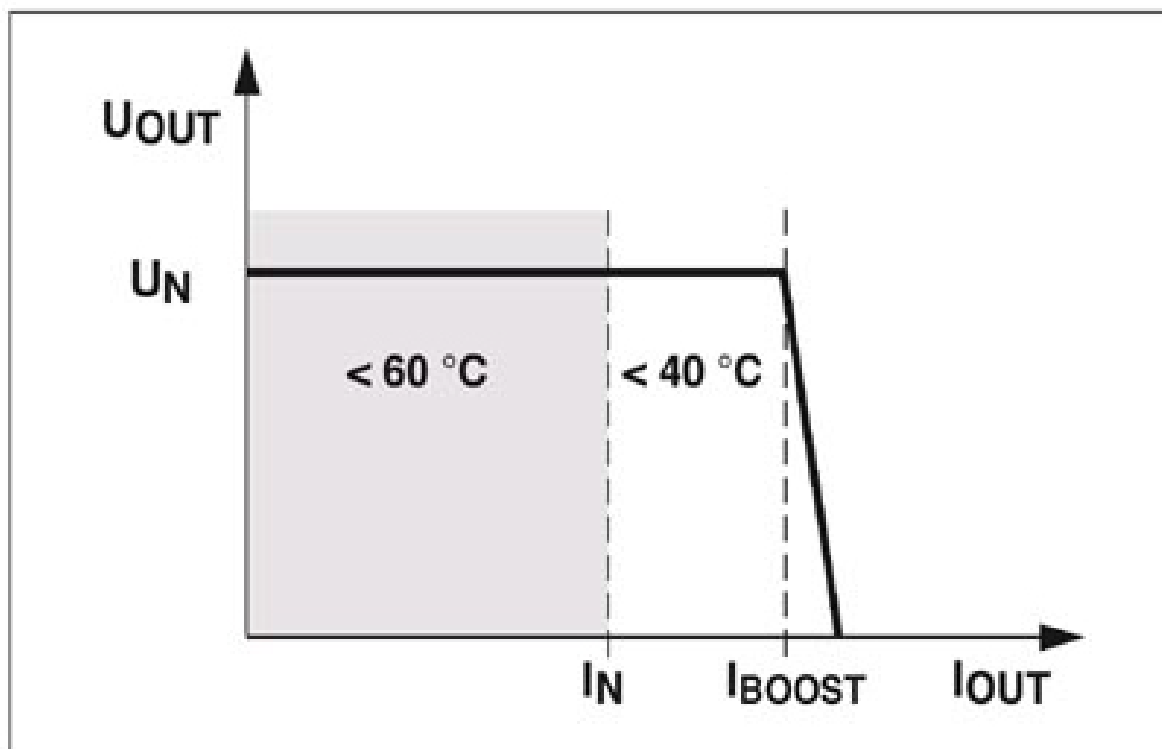
<https://www.phoenixcontact.com/in/products/2866284>

Emitted interference

Standards/regulations	EN 61000-6-3
Radio interference voltage in acc. with EN 55011	EN 55011 (EN 55022) Class B, area of application: Industry and residential
Emitted radio interference in acc. with EN 55011	EN 55011 (EN 55022) Class B, area of application: Industry and residential

Drawings

Diagram



POWER BOOST

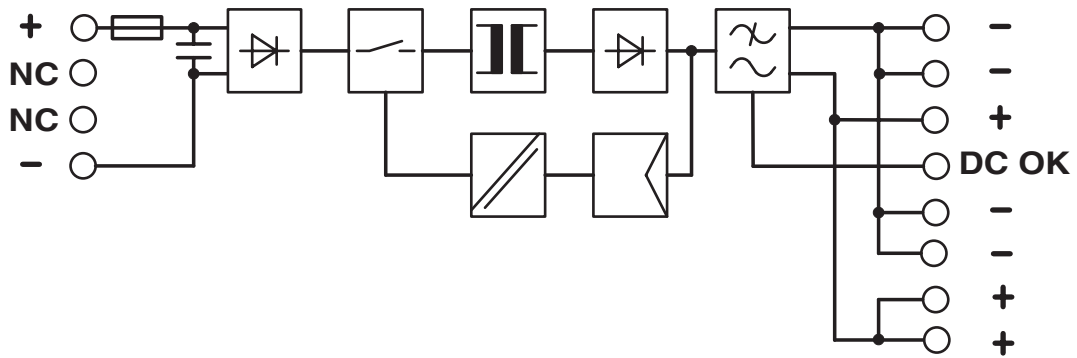
MINI-PS- 12- 24DC/24DC/1 - DC/DC converters



2866284

<https://www.phoenixcontact.com/in/products/2866284>

Block diagram



MINI-PS- 12- 24DC/24DC/1 - DC/DC converters



2866284

<https://www.phoenixcontact.com/in/products/2866284>

Approvals



cUL Recognized

Approval ID: FILE E 211944



UL Recognized

Approval ID: FILE E 211944



EAC

Approval ID: EAC-Zulassung



EAC

Approval ID: RU S-DE.BL08.W.00764



UL Listed

Approval ID: FILE E 123528



cUL Listed

Approval ID: FILE E 123528



cUL Listed

Approval ID: FILE E 199827



UL Listed

Approval ID: FILE E 199827

MINI-PS- 12- 24DC/24DC/1 - DC/DC converters



2866284

<https://www.phoenixcontact.com/in/products/2866284>

Classifications

ECLASS

ECLASS-11.0	27040701
ECLASS-12.0	27040701
ECLASS-13.0	27040701

ETIM

ETIM 8.0	EC002540
----------	----------

UNSPSC

UNSPSC 21.0	39121000
-------------	----------

MINI-PS- 12- 24DC/24DC/1 - DC/DC converters



2866284

<https://www.phoenixcontact.com/in/products/2866284>

Environmental Product Compliance

REACH SVHC	Lead 7439-92-1
China RoHS	Environmentally Friendly Use Period = 25; For information on hazardous substances, refer to the manufacturer's declaration available under "Downloads"

Phoenix Contact 2023 © - all rights reserved

<https://www.phoenixcontact.com>

PHOENIX CONTACT (I) Pvt. Ltd.

A-58/2, Okhla Industrial Area, Phase - II, New Delhi-110 020

+91.1275.71420

info@phoenixcontact.co.in