

MACX MCR-EX-SL-NAM-2RO - Isolation amplifier



2865450

<https://www.phoenixcontact.com/in/products/2865450>

Please be informed that the data shown in this PDF document is generated from our Online Catalog. Please find the complete data in the user documentation. Our General Terms of Use for Downloads are valid.



Ex i NAMUR isolating amplifier For operating proximity sensors and switches in Ex areas. The signals are transmitted via 2 relay outputs (N/O contact) to the safe area. Line fault detection (LFD), 3-way isolation, SIL 2.

Your advantages

- Power supply and error indication possible via DIN rail connector
- Installation in zone 2, protection type "n" (EN 60079-15) permitted
- Up to SIL 2 in accordance with EN 61508
- Line fault detection (LFD), can be activated/deactivated, error indicated by flashing red LED with de-excitation of output relay
- 4-way electrical isolation
- Direction of operation can be selected (operating or closed circuit current behavior)
- 2 relay signal outputs (N/O contact); output 2 can also be used as an error signaling output
- Input for NAMUR proximity sensors (EN 60947-5-6), floating contacts or contacts with resistance circuit, [Ex ia] IIC
- LED indicators for supply voltage, switching state, and malfunction in accordance with NAMUR NE 44

Commercial Data

Item number	2865450
Packing unit	1 pc
Minimum order quantity	1 pc
Sales Key	CK3
Product Key	CK3141
Catalog Page	Page 155 (C-5-2019)
GTIN	4046356160476
Weight per Piece (including packing)	192.1 g
Weight per Piece (excluding packing)	140 g
Customs tariff number	85365019
Country of origin	DE

Technical Data

Notes

Utilization restriction

EMC note	EMC: class A product, see manufacturer's declaration in the download area
----------	---

Product properties

Product type	Isolating switch transf.
Product family	MACX Analog
Application	Digital IN
No. of channels	1
Type	Ex i signal conditioners with SIL functional safety
Configuration	DIP switches

System properties

Functionality

Configuration	DIP switches
---------------	--------------

Electrical properties

No. of channels	1
Electrical isolation	3-way isolation
Electrical isolation between input and output	yes

Electrical isolation Input/output

Electrical isolation	375 V (Peak value in accordance with IEC/EN 60079-11)
Overvoltage category	III
Degree of pollution	2

Electrical isolation Input/supply, DIN rail connector

Electrical isolation	375 V (Peak value in accordance with IEC/EN 60079-11)
Rated insulation voltage	300 V _{rms}
Overvoltage category	II
Degree of pollution	2
Insulation	Safe isolation in accordance with IEC/EN 61010-1

Electrical isolation Output 1/output 2/input, power supply, DIN rail connector

Rated insulation voltage	300 V _{rms}
Overvoltage category	III
Degree of pollution	2
Insulation	Safe isolation in accordance with IEC/EN 61010-1

Electrical isolation Output 1/output 2/input/power supply, DIN rail connector

Test voltage	2.5 kV AC (50 Hz, 60 s)
Overvoltage category	III

MACX MCR-EX-SL-NAM-2RO - Isolation amplifier



2865450

<https://www.phoenixcontact.com/in/products/2865450>

Degree of pollution	2
---------------------	---

Supply

Nominal supply voltage	24 V DC -20 % ... +25 %
Supply voltage range	19.2 V DC ... 30 V DC
Max. current consumption	30 mA (24 V DC)
Power dissipation	< 950 mW
Power consumption	< 950 mW

Input data

Signal: NAMUR

Description of the input	Intrinsically safe
Number of inputs	1
Available input sources	NAMUR proximity sensors (IEC/EN 60947-5-6) Floating switch contacts Switch contacts with resistance circuit
Switching threshold "0" signal current	< 1.2 mA (blocking)
Switching threshold "1" signal, current	> 2.1 mA (conductive)
Short-circuit current	8 mA
Switching hysteresis	< 0.2 mA
Line fault detection	< 0.05 mA ... 0.35 mA (Line break) < 100 Ω ... 360 Ω (Short circuit) Activated /deactivated via DIP switch
Non-load voltage	8 V DC

Output data

Switching: Relay

Contact type	2 N/O contacts
Contact material	AgSnO ₂ , hard gold-plated
Maximum switching voltage	250 V AC (2 A) 120 V DC (0.2 A) 30 V DC (2 A)
Maximum switching capacity	500 VA
Recommended minimum load	5 V / 10 mA
Switching frequency	≤ 20 Hz (without load)

Signal

Number of outputs	2
-------------------	---

Connection data

Connection method	Screw connection
Stripping length	7 mm
Screw thread	M3
Conductor cross section rigid	0.2 mm ² ... 2.5 mm ²

MACX MCR-EX-SL-NAM-2RO - Isolation amplifier



2865450

<https://www.phoenixcontact.com/in/products/2865450>

Conductor cross section flexible	0.2 mm ² ... 2.5 mm ²
Conductor cross section AWG	24 ... 14
Tightening torque	0.5 Nm ... 0.6 Nm

Ex data

Ex installation (EPL)	Gc
	Div. 2
Ex i circuits (EPL)	Ga
	Da
	Ma
	Div. 1

Safety data

Max. internal inductance L_i	negligible
Max. internal capacitance C_i	11 nF
Max. output voltage U_o	9.6 V
Max. output current I_o	10 mA
Max. output power P_o	25 mW
Safety-related maximum voltage U_m	253 V AC
	125 V DC
IIC (simple circuit): Max. external inductivity L_o / Max. external capacitance C_o	300 mH / 3.6 μ F
IIC (mixed circuit): Max. external inductivity L_o / Max. external capacitance C_o	100 mH / 500 nF, 50 mH / 570 nF, 5 mH / 590 nF, 1 mH / 590 nF, 10 μ H / 590 nF
IIB/IIIC (simple circuit): Max. external inductivity L_o / Max. external capacitance C_o	1000 mH / 26 μ F
I/IIIB/IIA/IIIC (mixed circuit): Max. external inductivity L_o / Max. external capacitance C_o	100 mH / 1 μ F, 5 mH / 1 μ F, 1 mH / 1 μ F, 10 μ H / 1 μ F
IIA/I (simple circuit): Max. external inductivity L_o / Max. external capacitance C_o	1000 mH / 210 μ F

Signaling

Status display	Green LED (supply voltage)
	LED yellow (switching state)
	Red LED (line errors)

Dimensions

Dimensional drawing	
Width	12.5 mm
Height	112.5 mm

MACX MCR-EX-SL-NAM-2RO - Isolation amplifier



2865450

<https://www.phoenixcontact.com/in/products/2865450>

Depth	113.7 mm
Depth NS 35/7,5	114.5 mm (Snapped onto DIN rail NS 35/7,5 in accordance with EN 60715)

Material specifications

Flammability rating according to UL 94	V0 (Housing)
Housing material	PA 6.6-FR

Characteristics

Safety data: IEC 61508 - Low demand

Designation	Non-inverted operation
	Inverted operation

Environmental and real-life conditions

Ambient conditions

Degree of protection	IP20 (not assessed by UL)
Ambient temperature (operation)	-40 °C ... 60 °C (Any mounting position)
Ambient temperature (storage/transport)	-40 °C ... 85 °C
Permissible humidity (operation)	10 % ... 95 % (non-condensing)
Permissible humidity (storage/transport)	5 % ... 95 % (non-condensing)

Altitude range (≤ 2000 m)

Altitude	≤ 2000 m (The technical data refers to altitudes ≤ 2000 m above mean sea level. For altitudes >2000 m above mean sea level, refer to the data sheet.)
Ambient temperature (operation)	-40 °C ... 60 °C
Rated insulation voltage	375 V _{PP} (Power supply, input / output)

Altitude range (≤ 3000 m)

Height range	> 2000 m ... 3000 m
Ambient temperature (operation)	-40 °C ... 54 °C
Rated insulation voltage	190 V AC (Power supply, input / output)
	110 V DC (Power supply, input / output)

Altitude range (≤ 4000 m)

Height range	> 3000 m ... 4000 m
Ambient temperature (operation)	-40 °C ... 48 °C
Rated insulation voltage	60 V AC/DC (Power supply, input / output)

Altitude range (≤ 5000 m)

Height range	> 4000 m ... 5000 m
Ambient temperature (operation)	-40 °C ... 42 °C
Rated insulation voltage	60 V AC/DC (Power supply, input / output)

Approvals

CE

MACX MCR-EX-SL-NAM-2RO - Isolation amplifier



2865450

<https://www.phoenixcontact.com/in/products/2865450>

Certificate	CE-compliant
Note	and EN 61326

ATEX

Identification	<input type="checkbox"/> II (1) G [Ex ia Ga] IIC
	<input type="checkbox"/> II (1) D [Ex ia Da] IIIC
	<input type="checkbox"/> II 3(1) G Ex ec nC [ia Ga] IIC T4 Gc
	<input type="checkbox"/> I (M1) [Ex ia Ma] I
Certificate	IBExU 07 ATEX 1069 X

UKCA Ex (UKEX)

Identification	<input type="checkbox"/> I (M1) [Ex ia Ma] I
	<input type="checkbox"/> II (1) G [Ex ia Ga] IIC
	<input type="checkbox"/> II (1) D [Ex ia Da] IIIC
	<input type="checkbox"/> II 3 (1) G Ex ec [ia Ga] nC IIC T4 Gc
Certificate	CML 22UKEX7421X

IECEX

Identification	[Ex ia Ga] IIC
	[Ex ia Da] IIIC
	Ex ec nC [ia Ga] IIC T4 Gc
	[Ex ia Ma] I
Certificate	IECEX IBE 08.0001X

CCC / China-Ex

Identification	[Ex ia Ga] IIC
	[Ex iaD]
	Ex nA nC [ia Ga] IIC T4 Gc
Certificate	NEPSI GYJ20.1311X

UL, USA/Canada

Identification	UL 61010 Listed
	Class I, Div. 2, Groups A, B, C, D T4
	Class I, Div. 2, Groups IIC, IIB, IIA T4
	Associated apparatus for use in Class I, Division 1, Groups A,B,C,D
	Associated apparatus for use in Class II, Div.1 Groups E,F,D
	Associated apparatus for use in Class III, Division 1
	Associated apparatus for use in Class I, Zone 0,1,2, Groups IIC,IIB,IIA
Certificate	<input type="checkbox"/> , C.D.-No 83104549

UL, USA/Canada

Identification	Class I Div 2; IS for Class I, II, III Div 1
	UL 61010 Listed
Certificate	<input type="checkbox"/> , C.D.-No 83104549

KC-s

MACX MCR-EX-SL-NAM-2RO - Isolation amplifier



2865450

<https://www.phoenixcontact.com/in/products/2865450>

Identification	[Ex ia] IIC/IIB
Certificate	17-KA4BO-0409X

Shipbuilding approval

Certificate	DNV GL TAA00000AG
-------------	-------------------

Safety Integrity Level (SIL, IEC 61508)

Identification	2
----------------	---

INMETRO

Identification	[Ex ia Ga] IIC
	[Ex ia Da] IIIC
	Ex ec nC [ia Ga] IIC T4 Gc
	[Ex ia Ma] I
Certificate	DNV 18.0114 X

EAC Ex

Identification	<input type="checkbox"/> [Ex ia Ga] IIC
	<input type="checkbox"/> [Ex ia Da] IIIC
Certificate	RU C-DE.AB72.B.00093/19

DNV GL data

Temperature	B
Humidity	B
Vibration	A
EMC	B
Enclosure	Required protection according to the Rules shall be provided upon installation on board

EMC data

Noise immunity	EN 61000-6-2
	EN 61326
Electromagnetic compatibility	Conformance with EMC directive
Noise emission	EN 61000-6-4

Standards and regulations

Electrical isolation	3-way isolation
----------------------	-----------------

GB Standard

Standards/regulations	GB 3626.20
	GB 3836.1
	GB 3836.4
	GB 3836.8
	GB 12476.1
	GB 12476.4

Mounting

MACX MCR-EX-SL-NAM-2RO - Isolation amplifier



2865450

<https://www.phoenixcontact.com/in/products/2865450>

Mounting type	DIN rail mounting
---------------	-------------------

MACX MCR-EX-SL-NAM-2RO - Isolation amplifier

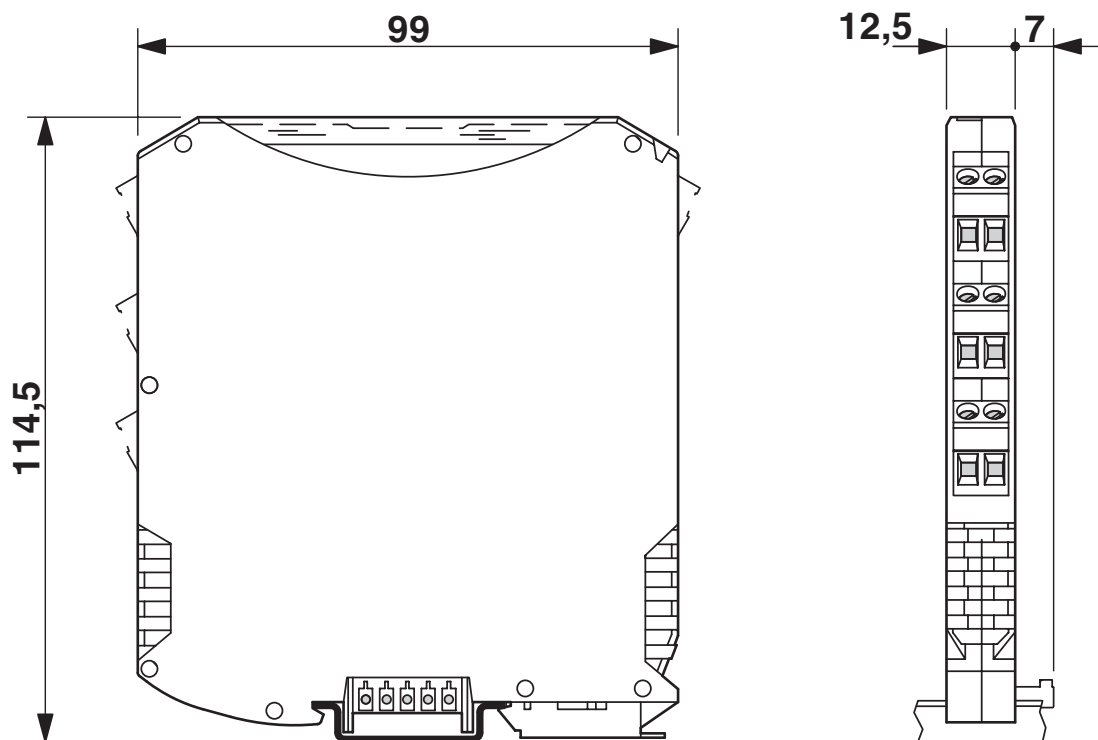


2865450

<https://www.phoenixcontact.com/in/products/2865450>

Drawings

Dimensional drawing



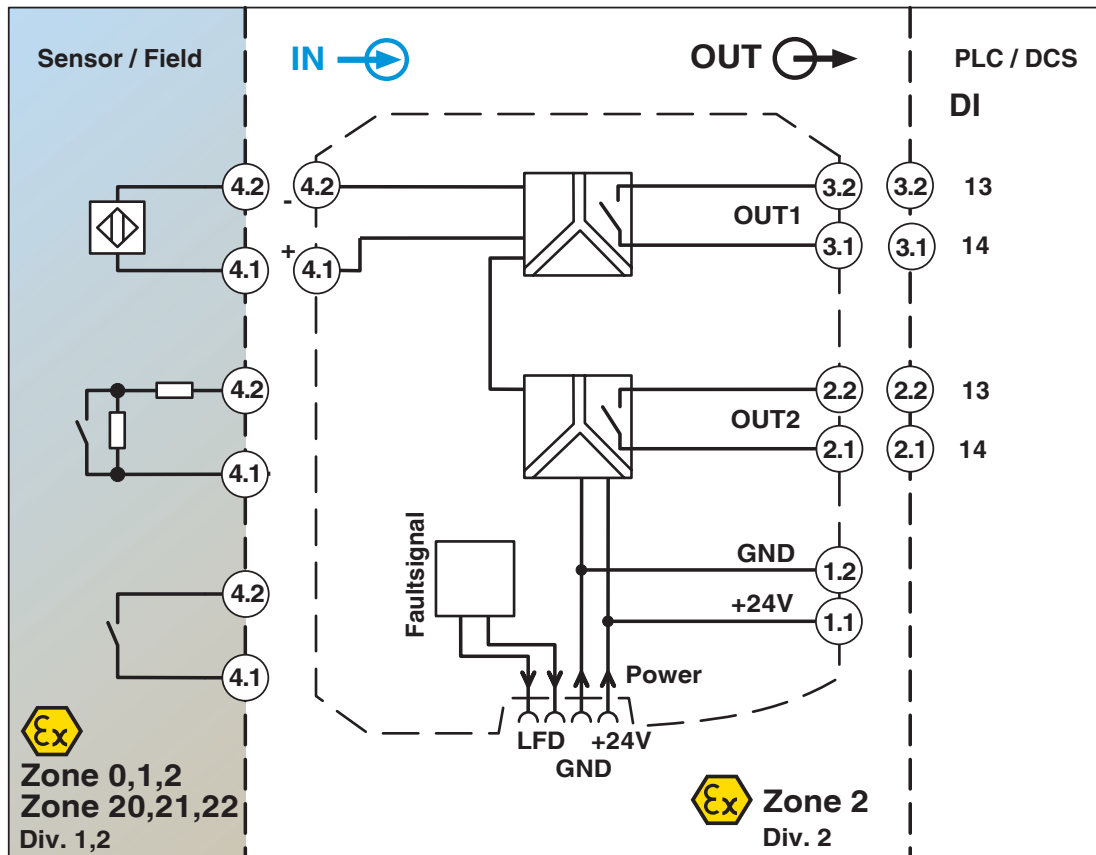
MACX MCR-EX-SL-NAM-2RO - Isolation amplifier



2865450

<https://www.phoenixcontact.com/in/products/2865450>

Block diagram



MACX MCR-EX-SL-NAM-2RO - Isolation amplifier



2865450

<https://www.phoenixcontact.com/in/products/2865450>

Approvals



DNV GL

Approval ID: TAA00000AG



UL Listed

Approval ID: FILE E 330267



CCC

Approval ID: 2020322 316001513



cUL Listed

Approval ID: FILE E 330267



EAC Ex

Approval ID: TR TS_S_103.01.00078



IECEX

Approval ID: IECEX IBE 08.0001X



cUL Listed

Approval ID: FILE E 199827



UL Listed

Approval ID: FILE E 199827



ATEX

Approval ID: IBExU07ATEX1069



KC-s

Approval ID: 17-KA4BO-0409X

MACX MCR-EX-SL-NAM-2RO - Isolation amplifier



2865450

<https://www.phoenixcontact.com/in/products/2865450>

Classifications

ECLASS

ECLASS-11.0	27210121
ECLASS-12.0	27210121
ECLASS-13.0	27210121

ETIM

ETIM 8.0	EC001485
----------	----------

UNSPSC

UNSPSC 21.0	39121000
-------------	----------

MACX MCR-EX-SL-NAM-2RO - Isolation amplifier



2865450

<https://www.phoenixcontact.com/in/products/2865450>

Environmental Product Compliance

REACH SVHC	Lead 7439-92-1
China RoHS	Environmentally Friendly Use Period = 50 years
	For information on hazardous substances, refer to the manufacturer's declaration available under "Downloads"

MACX MCR-EX-SL-NAM-2RO - Isolation amplifier



2865450

<https://www.phoenixcontact.com/in/products/2865450>

Accessories

ME 6,2 TBUS-2 1,5/5-ST-3,81 GY - DIN rail bus connectors

2695439

<https://www.phoenixcontact.com/in/products/2695439>

DIN rail connector (TBUS), 5-pos., for bridging the supply voltage, can be snapped onto NS 35/... DIN rail in accordance with EN 60715



TC-2D37SUB-ADIO32-2EX-P-UNI - Module carrier

2904684

<https://www.phoenixcontact.com/in/products/2904684>

Universal Termination Carrier for connecting 16 two-channel MACX Analog Ex i signal conditioners to digital or analog I/O cards, via two D-SUB connectors, 37-pos. (1:1 connection)



MACX MCR-EX-SL-NAM-2RO - Isolation amplifier



2865450

<https://www.phoenixcontact.com/in/products/2865450>

MACX MCR-PTB - Power and error message module

2865625

<https://www.phoenixcontact.com/in/products/2865625>



Power and fault signaling module with screw connection, including corresponding ME 17,5 TBUS 1,5/ 5-ST-3,81 GY DIN rail connector

MACX MCR-PTB-SP - Power and error message module

2924184

<https://www.phoenixcontact.com/in/products/2924184>



Power and fault signaling module with Push-in connection, including corresponding ME 17,5 TBUS 1,5/ 5-ST-3,81 GY DIN rail connector

MACX MCR-EX-SL-NAM-2RO - Isolation amplifier



2865450

<https://www.phoenixcontact.com/in/products/2865450>

QUINT4-SYS-PS/1AC/24DC/2.5/SC - Power supply unit

2904614

<https://www.phoenixcontact.com/in/products/2904614>



Primary-switched power supply, QUINT POWER, screw connection, DIN rail mounting, supply of devices possible via the TBUS DIN rail connector, protective coating, input: single-phase, output: 24 V DC/2.5 A

D-UKK 3/5 - End cover

2770024

<https://www.phoenixcontact.com/in/products/2770024>



End cover, length: 56 mm, width: 2.5 mm, height: 52 mm, color: gray

MACX MCR-EX-SL-NAM-2RO - Isolation amplifier



2865450

<https://www.phoenixcontact.com/in/products/2865450>

D-UKK 3/5 BU - End cover

2770105

<https://www.phoenixcontact.com/in/products/2770105>

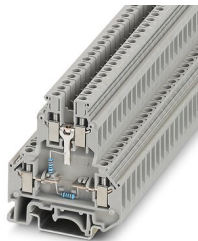


End cover, length: 56 mm, width: 2.5 mm, height: 62 mm, color: blue

UKK 5-2R/NAMUR - Component terminal block

2941662

<https://www.phoenixcontact.com/in/products/2941662>



Double-level terminal block, with preassembled resistors

MACX MCR-EX-SL-NAM-2RO - Isolation amplifier



2865450

<https://www.phoenixcontact.com/in/products/2865450>

MPS-IH WH - Insulating sleeve

0201663

<https://www.phoenixcontact.com/in/products/0201663>

Insulating sleeve, color: white



MPS-IH RD - Insulating sleeve

0201676

<https://www.phoenixcontact.com/in/products/0201676>

Insulating sleeve, color: red



MACX MCR-EX-SL-NAM-2RO - Isolation amplifier



2865450

<https://www.phoenixcontact.com/in/products/2865450>

MPS-IH BU - Insulating sleeve

0201689

<https://www.phoenixcontact.com/in/products/0201689>

Insulating sleeve, color: blue



MPS-IH YE - Insulating sleeve

0201692

<https://www.phoenixcontact.com/in/products/0201692>

Insulating sleeve, color: yellow



MACX MCR-EX-SL-NAM-2RO - Isolation amplifier



2865450

<https://www.phoenixcontact.com/in/products/2865450>

MPS-IH GN - Insulating sleeve

0201702

<https://www.phoenixcontact.com/in/products/0201702>

Insulating sleeve, color: green



MPS-IH GY - Insulating sleeve

0201728

<https://www.phoenixcontact.com/in/products/0201728>

Insulating sleeve, color: gray



MACX MCR-EX-SL-NAM-2RO - Isolation amplifier



2865450

<https://www.phoenixcontact.com/in/products/2865450>

MPS-IH BK - Insulating sleeve

0201731

<https://www.phoenixcontact.com/in/products/0201731>

Insulating sleeve, color: black



MPS-MT - Test plugs

0201744

<https://www.phoenixcontact.com/in/products/0201744>

Test plugs, with solder connection up to 1 mm² conductor cross section, number of positions: 1, color: gray



MACX MCR-EX-SL-NAM-2RO - Isolation amplifier



2865450

<https://www.phoenixcontact.com/in/products/2865450>

UC-EMLP (11X9) - Plastic label

0819291

<https://www.phoenixcontact.com/in/products/0819291>

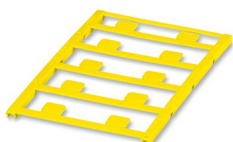


Plastic label, Sheet, white, unlabeled, can be labeled with: BLUEMARK ID COLOR, BLUEMARK ID, BLUEMARK CLED, PLOTMARK, CMS-P1-PLOTTER, mounting type: adhesive, lettering field size: 11 x 9 mm, Number of individual labels: 10

UC-EMLP (11X9) YE - Plastic label

0822602

<https://www.phoenixcontact.com/in/products/0822602>



Plastic label, Sheet, yellow, unlabeled, can be labeled with: BLUEMARK ID COLOR, BLUEMARK ID, BLUEMARK CLED, PLOTMARK, CMS-P1-PLOTTER, mounting type: adhesive, lettering field size: 11 x 9 mm, Number of individual labels: 10

MACX MCR-EX-SL-NAM-2RO - Isolation amplifier



2865450

<https://www.phoenixcontact.com/in/products/2865450>

UC-EMLP (11X9) CUS - Plastic label

0824547

<https://www.phoenixcontact.com/in/products/0824547>

Plastic label, can be ordered: by sheet, white, labeled according to customer specifications, mounting type: adhesive, lettering field size: 11 x 9 mm

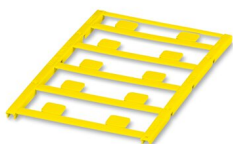


UC-EMLP (11X9) YE CUS - Plastic label

0824548

<https://www.phoenixcontact.com/in/products/0824548>

Plastic label, can be ordered: by sheet, yellow, labeled according to customer specifications, mounting type: adhesive, lettering field size: 11 x 9 mm



MACX MCR-EX-SL-NAM-2RO - Isolation amplifier



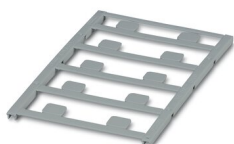
2865450

<https://www.phoenixcontact.com/in/products/2865450>

UC-EMLP (11X9) SR - Plastic label

0828094

<https://www.phoenixcontact.com/in/products/0828094>

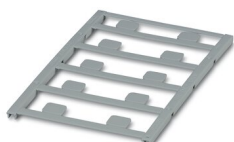


Plastic label, Sheet, silver, unlabeled, can be labeled with: BLUEMARK ID COLOR, BLUEMARK ID, BLUEMARK CLED, PLOTMARK, CMS-P1-PLOTTER, mounting type: adhesive, lettering field size: 11 x 9 mm, Number of individual labels: 10

UC-EMLP (11X9) SR CUS - Plastic label

0828098

<https://www.phoenixcontact.com/in/products/0828098>



Plastic label, can be ordered: by sheet, silver, labeled according to customer specifications, mounting type: adhesive, lettering field size: 11 x 9 mm, Number of individual labels: 10

MACX MCR-EX-SL-NAM-2RO - Isolation amplifier



2865450

<https://www.phoenixcontact.com/in/products/2865450>

US-EMLP (11X9) - Plastic label

0828789

<https://www.phoenixcontact.com/in/products/0828789>



Plastic label, Card, white, unlabeled, can be labeled with: BLUEMARK ID COLOR, BLUEMARK ID, THERMOMARK PRIME, THERMOMARK CARD 2.0, THERMOMARK CARD, mounting type: adhesive, lettering field size: 11 x 9 mm, Number of individual labels: 135

US-EMLP (11X9) YE - Plastic label

0828871

<https://www.phoenixcontact.com/in/products/0828871>



Plastic label, Card, yellow, unlabeled, can be labeled with: BLUEMARK ID COLOR, BLUEMARK ID, THERMOMARK PRIME, THERMOMARK CARD 2.0, THERMOMARK CARD, mounting type: adhesive, lettering field size: 11 x 9 mm, Number of individual labels: 135

MACX MCR-EX-SL-NAM-2RO - Isolation amplifier



2865450

<https://www.phoenixcontact.com/in/products/2865450>

US-EMLP (11X9) SR - Plastic label

0828872

<https://www.phoenixcontact.com/in/products/0828872>

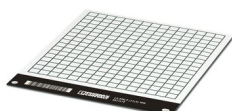


Plastic label, Card, silver, unlabeled, can be labeled with: BLUEMARK ID COLOR, BLUEMARK ID, THERMOMARK PRIME, THERMOMARK CARD 2.0, THERMOMARK CARD, mounting type: adhesive, lettering field size: 11 x 9 mm, Number of individual labels: 135

LS-EMLP (11X9) WH - Device marker

0831678

<https://www.phoenixcontact.com/in/products/0831678>



Device marker, Sheet, white, unlabeled, can be labeled with: TOPMARK NEO, TOPMARK LASER: without print, mounting type: adhesive, lettering field size: 11 x 9 mm, Number of individual labels: 255

MACX MCR-EX-SL-NAM-2RO - Isolation amplifier



2865450

<https://www.phoenixcontact.com/in/products/2865450>

LS-EMLP (11X9) SR - Device marker

0831705

<https://www.phoenixcontact.com/in/products/0831705>

Device marker, Sheet, silver, unlabeled, can be labeled with: TOPMARK NEO, TOPMARK LASER: without print, mounting type: adhesive, lettering field size: 11 x 9 mm, Number of individual labels: 255

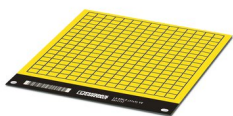


LS-EMLP (11X9) YE - Device marker

0831732

<https://www.phoenixcontact.com/in/products/0831732>

Device marker, Sheet, yellow, unlabeled, can be labeled with: TOPMARK NEO, TOPMARK LASER: without print, mounting type: adhesive, lettering field size: 11 x 9 mm, Number of individual labels: 255



Phoenix Contact 2023 © - all rights reserved
<https://www.phoenixcontact.com>

PHOENIX CONTACT (I) Pvt. Ltd.
A-58/2, Okhla Industrial Area, Phase - II, New Delhi-110 020

+91.1275.71420
info@phoenixcontact.co.in