

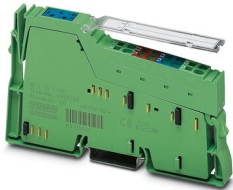
IB IL 24 DI 4-ME - Digital module



2863928

<https://www.phoenixcontact.com/in/products/2863928>

Please be informed that the data shown in this PDF document is generated from our Online Catalog. Please find the complete data in the user documentation. Our General Terms of Use for Downloads are valid.



Inline, Digital input terminal, Digital inputs: 4, 24 V DC, connection technology: 3-conductor, transmission speed in the local bus: 500 kbps, degree of protection: IP20, including Inline connector and labeling field

Product Description

The terminal is designed for use within an Inline station. It is used to acquire digital signals.

Your advantages

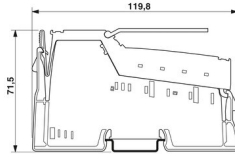
- 4 digital inputs
- Connection of sensors in 2- and 3-conductor technology
- Maximum permissible load current per sensor: 250 mA
- Maximum permissible load current from the terminal: 1 A
- Diagnostic and status indicators

Commercial Data

Item number	2863928
Packing unit	4 pc
Minimum order quantity	4 pc
Sales Key	DRI
Product Key	DRI131
Catalog Page	Page 122 (C-6-2019)
GTIN	4017918962678
Weight per Piece (including packing)	67.55 g
Weight per Piece (excluding packing)	59 g
Customs tariff number	85389099
Country of origin	DE

Technical Data

Dimensions

Dimensional drawing	
Width	12.2 mm
Height	119.8 mm
Depth	71.5 mm

Notes

Utilization restriction

CCCex note	Use in potentially explosive areas is not permitted in China.
------------	---

Material specifications

Color	green
-------	-------

Interfaces

Inline local bus

Number of interfaces	2
Connection method	Inline data jumper
Transmission speed	500 kbps
Transmission physics	Copper

System properties

Module

ID code (dec.)	190
ID code (hex)	BE
Length code (hex)	41
Length code (dec)	65
Process data channel	0 bit
Input address area	4 bit
Output address area	0 bit
Register length	4 bit
Required parameter data	1 Byte
Required configuration data	4 Byte

Input data

IB IL 24 DI 4-ME - Digital module



2863928

<https://www.phoenixcontact.com/in/products/2863928>

Digital

Input name	Digital inputs
Description of the input	EN 61131-2 type 1
Number of inputs	4
Connection method	Spring-cage connection
Connection technology	3-conductor
Input voltage	24 V DC
Input voltage range	-30 V DC ... 30 V DC
Input voltage range "0" signal	-3 V DC ... 5 V
Input voltage range "1" signal	15 V DC ... 30 V DC
Nominal input voltage U_{IN}	24 V DC
Nominal input current at U_{IN}	min. 3 mA (at nominal voltage)
Typical response time	< 1 ms

Product properties

Type	modular
Product type	I/O component
Product family	Inline
Scope of delivery	including Inline connector and labeling field
No. of channels	4
Operating mode	Process data operation with 4 bits

Electrical properties

No. of channels	4
Maximum power dissipation for nominal condition	24.12 W

Potentials: Communications power (U_L)

Supply voltage	7.5 V DC (via voltage jumper)
Current draw	max. 40 mA
Power consumption	max. 0.3 W

Potentials: Segment circuit supply (U_S)

Supply voltage	24 V DC (via voltage jumper)
Supply voltage range	19.2 V DC ... 30 V DC (including all tolerances, including ripple)
Current draw	max. 1 A 0 A

Connection data

Connection technology

Connection name	Inline connector
-----------------	------------------

Conductor connection

Connection method	Spring-cage connection
Conductor cross section rigid	0.08 mm ² ... 1.5 mm ²
Conductor cross section flexible	0.08 mm ² ... 1.5 mm ²

2863928

<https://www.phoenixcontact.com/in/products/2863928>

Conductor cross section AWG	28 ... 16
Stripping length	8 mm

Inline connector

Connection method	Spring-cage connection
Conductor cross section, rigid	0.08 mm ² ... 1.5 mm ²
Conductor cross section, flexible	0.08 mm ² ... 1.5 mm ²
Conductor cross section AWG	28 ... 16
Stripping length	8 mm

Environmental and real-life conditions

Ambient conditions

Ambient temperature (operation)	-25 °C ... 55 °C
Degree of protection	IP20
Air pressure (operation)	70 kPa ... 106 kPa (up to 3000 m above sea level)
Air pressure (storage/transport)	70 kPa ... 106 kPa (up to 3000 m above sea level)
Ambient temperature (storage/transport)	-25 °C ... 85 °C
Permissible humidity (operation)	10 % ... 95 % (according to DIN EN 61131-2)
Permissible humidity (storage/transport)	10 % ... 95 % (according to DIN EN 61131-2)

Standards and regulations

Protection class	III (IEC 61140, EN 61140, VDE 0140-1)
------------------	---------------------------------------

Mounting

Mounting type	DIN rail mounting
---------------	-------------------

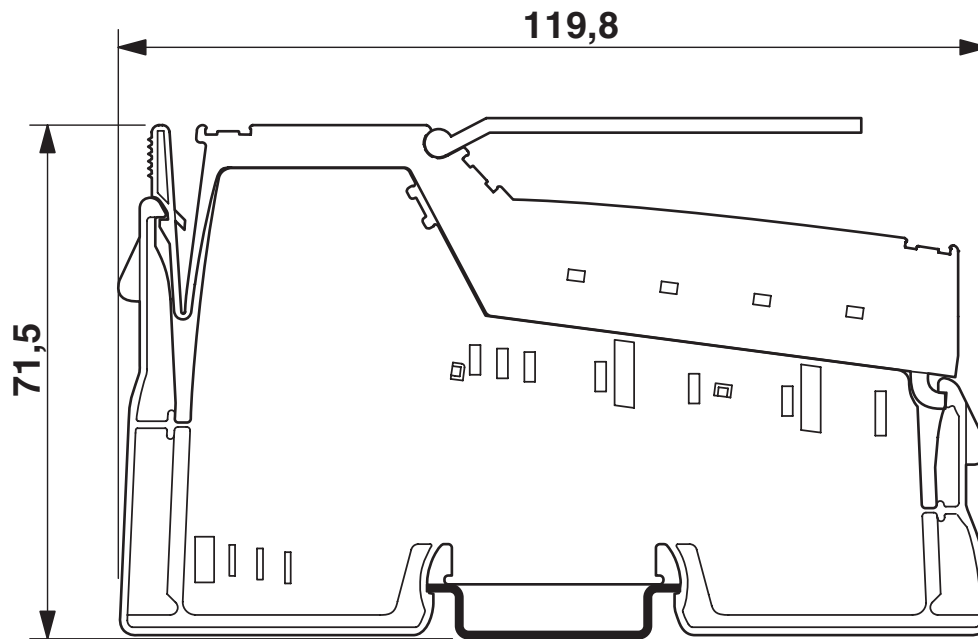
IB IL 24 DI 4-ME - Digital module

2863928

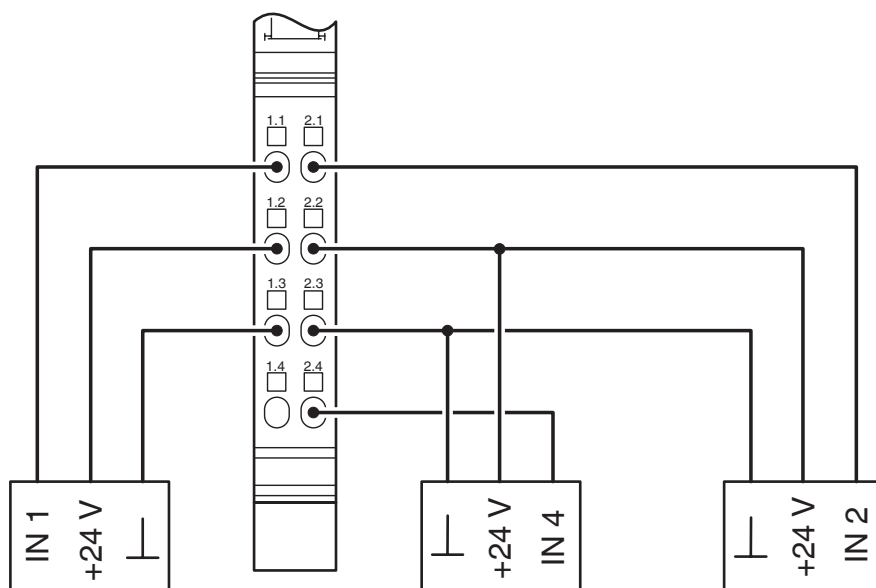
<https://www.phoenixcontact.com/in/products/2863928>

Drawings

Dimensional drawing



Connection diagram



2863928

<https://www.phoenixcontact.com/in/products/2863928>

Approvals



cUL Recognized
Approval ID: FILE E 140324



UL Recognized
Approval ID: FILE E 140324



EAC
Approval ID: TR TS_D_01921-19



cUL Listed
Approval ID: FILE E 199827



UL Listed
Approval ID: FILE E 199827

2863928

<https://www.phoenixcontact.com/in/products/2863928>

Classifications

ECLASS

ECLASS-11.0	27242604
ECLASS-12.0	27242604
ECLASS-13.0	27242604

ETIM

ETIM 8.0	EC001599
----------	----------

UNSPSC

UNSPSC 21.0	32151600
-------------	----------

IB IL 24 DI 4-ME - Digital module

2863928

<https://www.phoenixcontact.com/in/products/2863928>



Environmental Product Compliance

REACH SVHC	Lead 7439-92-1
China RoHS	Environmentally Friendly Use Period = 50 years
	For information on hazardous substances, refer to the manufacturer's declaration available under "Downloads"

IB IL 24 DI 4-ME - Digital module

2863928

<https://www.phoenixcontact.com/in/products/2863928>



Accessories

IB IL PD 24V-PAC - Potential distributors

2862987

<https://www.phoenixcontact.com/in/products/2862987>



Inline terminal for power distribution (24 V), complete with accessories, (connector and labeling field) 24 V supply voltage is fed out from the segment circuit (US)

IB IL PD GND-PAC - Potential distributors

2862990

<https://www.phoenixcontact.com/in/products/2862990>



Inline terminal for power distribution (GND), complete with accessories, (connector and labeling field) connections for GND

IB IL 24 DI 4-ME - Digital module

2863928

<https://www.phoenixcontact.com/in/products/2863928>



IB IL SCN-8 - Inline connector

2726337

<https://www.phoenixcontact.com/in/products/2726337>

Connector, for digital 1, 2 or 8-channel Inline terminals



IB IL FIELD 2 - Labeling field

2727501

<https://www.phoenixcontact.com/in/products/2727501>

Labeling field, width: 12.2 mm



IB IL 24 DI 4-ME - Digital module

2863928

<https://www.phoenixcontact.com/in/products/2863928>



ESL 62X10 - Insert strip

0809492

<https://www.phoenixcontact.com/in/products/0809492>

Insert strip, Sheet, white, unlabeled, can be labeled with: Office printing systems:
Laser printer, mounting type: insert, lettering field size: 62 x 10 mm, Number of
individual labels: 72



Phoenix Contact 2023 © - all rights reserved

<https://www.phoenixcontact.com>

PHOENIX CONTACT (I) Pvt. Ltd.

A-58/2, Okhla Industrial Area, Phase - II, New Delhi-110 020

+91.1275.71420

info@phoenixcontact.co.in