

IB IL AO 2/SF-PAC - Analog module



2863083

<https://www.phoenixcontact.com/in/products/2863083>

Please be informed that the data shown in this PDF document is generated from our Online Catalog. Please find the complete data in the user documentation. Our General Terms of Use for Downloads are valid.



Inline, Analog output terminal, Analog outputs: 2, 0 V ... 10 V, 0 mA ... 20 mA, 4 mA ... 20 mA, connection technology: 2-conductor, transmission speed in the local bus: 500 kbps, degree of protection: IP20, including Inline connectors and marking fields

Product Description

The terminal is designed for use within an Inline station. It is used to output analog current and voltage signals. The signals are available with a 16-bit resolution.

Your advantages

- 2 analog output channels
- Connection of actuators in 2-conductor technology
- Voltage range: 0 V ... 10 V
- Current ranges: 0 mA ... 20 mA, 4 mA ... 20 mA
- Output values can be represented in two different formats
- Behavior of the outputs in the event of an error can be configured
- Process data update including conversion time of the digital/analog converter < 1 ms

Commercial Data

Item number	2863083
Packing unit	1 pc
Minimum order quantity	1 pc
Sales Key	DRI
Product Key	DRI142
Catalog Page	Page 142 (C-6-2019)
GTIN	4017918917104
Weight per Piece (including packing)	234.6 g
Weight per Piece (excluding packing)	190 g
Customs tariff number	85389099
Country of origin	DE

IB IL AO 2/SF-PAC - Analog module

2863083

<https://www.phoenixcontact.com/in/products/2863083>

Technical Data

Dimensions

Dimensional drawing	
Width	48.8 mm
Height	135 mm
Depth	71.5 mm
Note on dimensions	Housing dimensions

Notes

Utilization restriction

CCCex note	Use in potentially explosive areas is not permitted in China.
------------	---

Material specifications

Color	green
-------	-------

Interfaces

Inline local bus

Number of interfaces	2
Connection method	Inline data jumper
Transmission speed	500 kbps

System properties

Module

ID code (dec.)	91
ID code (hex)	5B
Length code (hex)	02
Length code (dec)	02
Process data channel	32 bit
Input address area	4 Byte
Output address area	4 Byte
Register length	32 bit
Required parameter data	6 Byte
Required configuration data	5 Byte

Output data

Analog

IB IL AO 2/SF-PAC - Analog module



2863083

<https://www.phoenixcontact.com/in/products/2863083>

Output name	Analog outputs
Connection technology	2-conductor
Note regarding the connection technology	shielded
Number of outputs	2
D/A converter resolution	16 bit
Protective circuit	Transient protection of outputs Short-circuit protection of outputs
Representation of output values	16 bits (15 bits + sign)
DAC resolution	16 bit
Process data update	< 1 ms
Current output signal	0 mA ... 20 mA 4 mA ... 20 mA
Load/output load current output	≤ 500 Ω
Voltage output signal	0 V ... 10 V
Load/output load voltage output	≥ 2 kΩ

Product properties

Type	modular
Product type	I/O component
Product family	Inline
Scope of delivery	including Inline connectors and marking fields
Operating mode	Process data mode with two words
Diagnostics messages	I/O supply failure I/O error message sent to the bus coupler

Electrical properties

Maximum power dissipation for nominal condition	3.36 W
---	--------

Potentials

Power consumption	typ. 2.1 W (entire device)
-------------------	----------------------------

Potentials: Communications power (U_L)

Supply voltage	7.5 V DC (via voltage jumper)
Current draw	max. 45 mA typ. 36 mA

Potentials: Supply of analog modules (U_{ANA})

Supply voltage	24 V DC (via voltage jumper)
Supply voltage range	19.2 V DC ... 30 V DC (including all tolerances, including ripple)
Current draw	max. 95 mA typ. 75 mA

Connection data

Connection technology	
Connection name	Inline connector

Conductor connection	
----------------------	--

IB IL AO 2/SF-PAC - Analog module



2863083

<https://www.phoenixcontact.com/in/products/2863083>

Connection method	Spring-cage connection
Conductor cross section rigid	0.08 mm ² ... 1.5 mm ²
Conductor cross section flexible	0.08 mm ² ... 1.5 mm ²
Conductor cross section AWG	28 ... 16
Stripping length	8 mm

Inline connector

Connection method	Spring-cage connection
Conductor cross section, rigid	0.08 mm ² ... 1.5 mm ²
Conductor cross section, flexible	0.08 mm ² ... 1.5 mm ²
Conductor cross section AWG	28 ... 16
Stripping length	8 mm

Environmental and real-life conditions

Ambient conditions

Ambient temperature (operation)	-25 °C ... 55 °C
Degree of protection	IP20
Air pressure (operation)	70 kPa ... 106 kPa (up to 3000 m above sea level)
Air pressure (storage/transport)	70 kPa ... 106 kPa (up to 3000 m above sea level)
Ambient temperature (storage/transport)	-25 °C ... 85 °C
Permissible humidity (operation)	10 % ... 95 % (non-condensing)
Permissible humidity (storage/transport)	10 % ... 95 % (non-condensing)

Standards and regulations

Protection class	III (IEC 61140, EN 61140, VDE 0140-1)
------------------	---------------------------------------

Mounting

Mounting type	DIN rail mounting
---------------	-------------------

IB IL AO 2/SF-PAC - Analog module

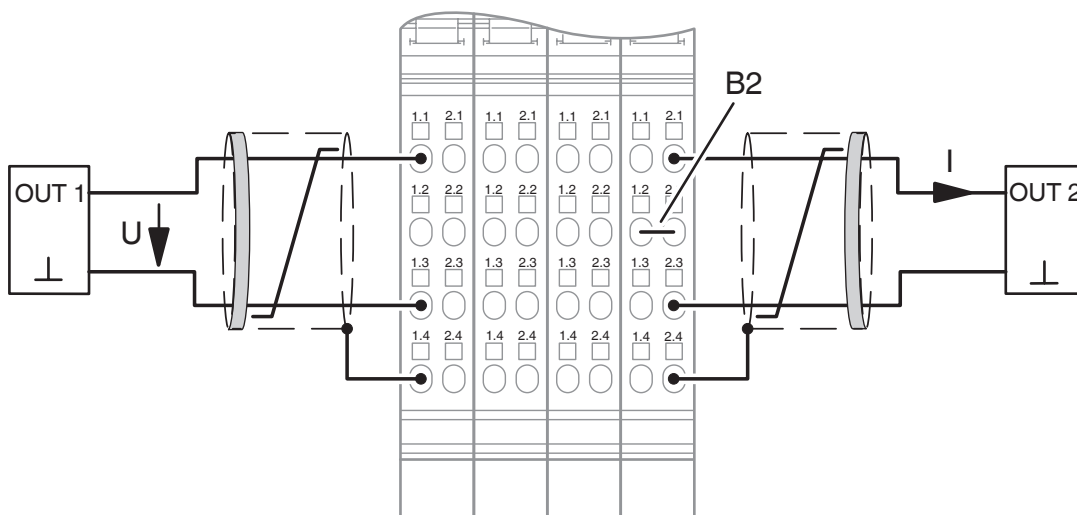


2863083

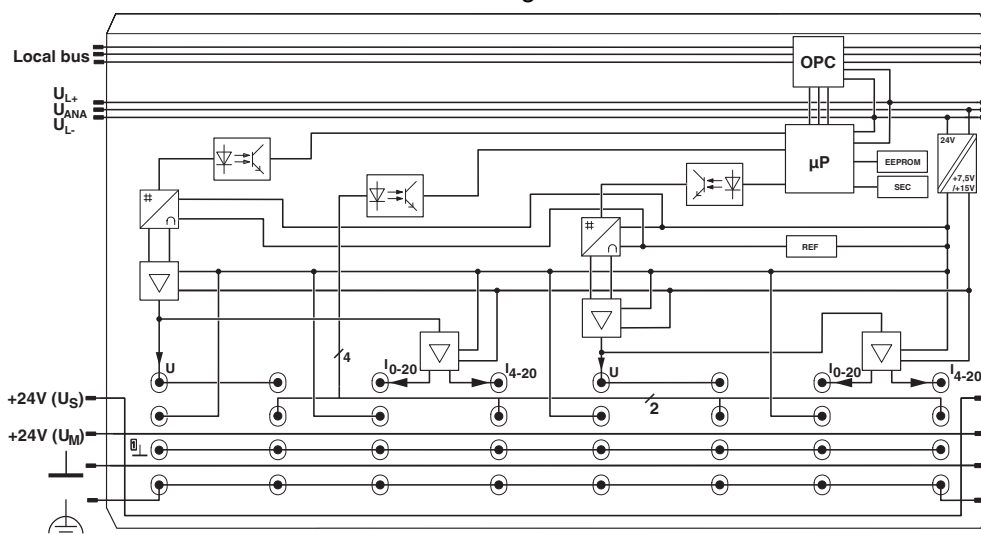
<https://www.phoenixcontact.com/in/products/2863083>

Drawings

Connection diagram



Block diagram

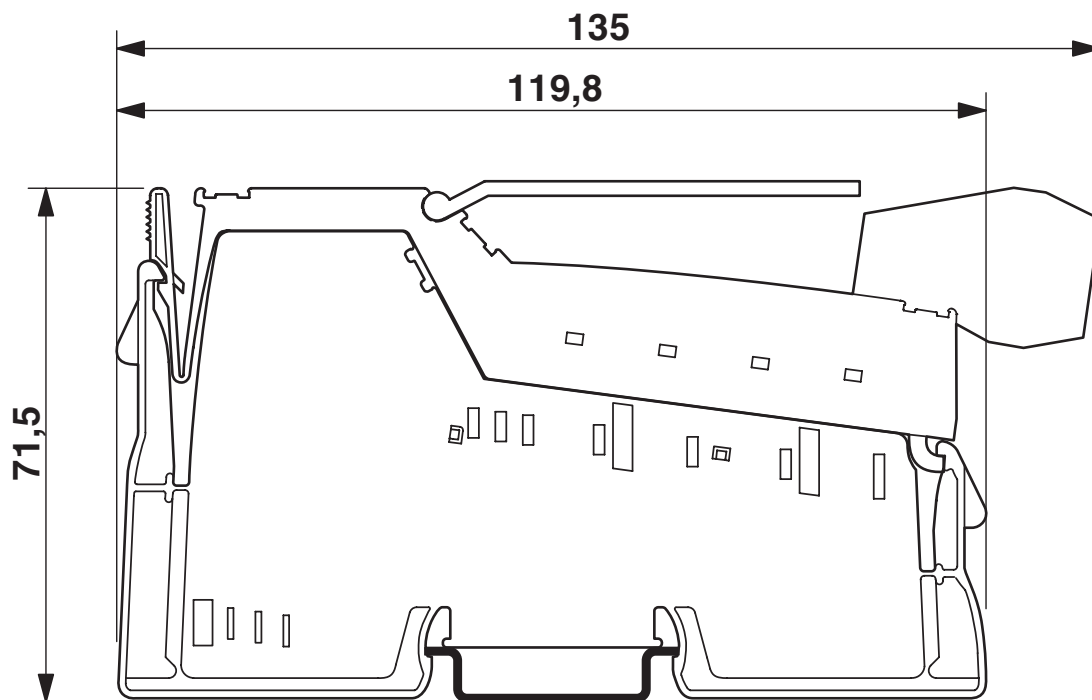


IB IL AO 2/SF-PAC - Analog module

2863083

<https://www.phoenixcontact.com/in/products/2863083>

Dimensional drawing



IB IL AO 2/SF-PAC - Analog module



2863083

<https://www.phoenixcontact.com/in/products/2863083>

Approvals



cUL Recognized
Approval ID: FILE E 140324



UL Recognized
Approval ID: FILE E 140324



EAC
Approval ID: TR TS_D_01921-19



DNV GL
Approval ID: TAA00000BN



LR
Approval ID: LR22191720TA



BV
Approval ID: 20977/C0 BV



RINA
Approval ID: ELE121121XG



cUL Listed
Approval ID: FILE E 199827



UL Listed
Approval ID: FILE E 199827



UL Listed
Approval ID: FILE E 256199



cUL Listed
Approval ID: FILE E 256199

IB IL AO 2/SF-PAC - Analog module



2863083

<https://www.phoenixcontact.com/in/products/2863083>

Classifications

ECLASS

ECLASS-11.0	27242601
ECLASS-12.0	27242601
ECLASS-13.0	27242601

ETIM

ETIM 8.0	EC001596
----------	----------

UNSPSC

UNSPSC 21.0	32151600
-------------	----------

IB IL AO 2/SF-PAC - Analog module

2863083

<https://www.phoenixcontact.com/in/products/2863083>



Environmental Product Compliance

REACH SVHC

Lead 7439-92-1

IB IL AO 2/SF-PAC - Analog module

2863083

<https://www.phoenixcontact.com/in/products/2863083>



Accessories

IB IL AO/CNT-PLSET - Connector set

2732664

<https://www.phoenixcontact.com/in/products/2732664>



Connector set

IB IL SCN-6 SHIELD - Inline shield connector

2726353

<https://www.phoenixcontact.com/in/products/2726353>



Inline shield connector

IB IL SCN-8 - Inline connector

2726337

<https://www.phoenixcontact.com/in/products/2726337>

Connector, for digital 1, 2 or 8-channel Inline terminals



IB IL AO 2/SF-PAC - Analog module

2863083

<https://www.phoenixcontact.com/in/products/2863083>



IB IL SCN-8-CP - Inline connector

2727608

<https://www.phoenixcontact.com/in/products/2727608>

Inline connector, colored



IB IL FIELD 2 - Labeling field

2727501

<https://www.phoenixcontact.com/in/products/2727501>

Labeling field, width: 12.2 mm



IB IL AO 2/SF-PAC - Analog module

2863083

<https://www.phoenixcontact.com/in/products/2863083>



ESL 62X10 - Insert strip

0809492

<https://www.phoenixcontact.com/in/products/0809492>

Insert strip, Sheet, white, unlabeled, can be labeled with: Office printing systems:
Laser printer, mounting type: insert, lettering field size: 62 x 10 mm, Number of
individual labels: 72



Phoenix Contact 2023 © - all rights reserved

<https://www.phoenixcontact.com>

PHOENIX CONTACT (I) Pvt. Ltd.

A-58/2, Okhla Industrial Area, Phase - II, New Delhi-110 020

+91.1275.71420

info@phoenixcontact.co.in