

IB IL 24 DI 32/HD-PAC - Digital module



2862835

<https://www.phoenixcontact.com/in/products/2862835>

Please be informed that the data shown in this PDF document is generated from our Online Catalog. Please find the complete data in the user documentation. Our General Terms of Use for Downloads are valid.



Inline, Digital input terminal, Digital inputs: 32, 24 V DC, connection technology: 1-conductor, transmission speed in the local bus: 500 kbps, degree of protection: IP20, including Inline connectors and marking fields

Product Description

The terminal is designed for use within an Inline station. It is used to acquire digital signals.

Your advantages

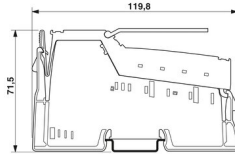
- 32 digital inputs
- Connection of sensors in 1-conductor technology

Commercial Data

Item number	2862835
Packing unit	1 pc
Minimum order quantity	1 pc
Sales Key	DRI
Product Key	DRI131
Catalog Page	Page 123 (C-6-2019)
GTIN	4017918907594
Weight per Piece (including packing)	209 g
Weight per Piece (excluding packing)	185 g
Customs tariff number	85389099
Country of origin	DE

Technical Data

Dimensions

Dimensional drawing	
Width	48.8 mm
Height	119.8 mm
Depth	71.5 mm
Note on dimensions	Housing dimensions

Notes

Utilization restriction

CCEx note	Use in potentially explosive areas is not permitted in China.
-----------	---

Material specifications

Color	green
-------	-------

Interfaces

Inline local bus

Number of interfaces	2
Connection method	Inline data jumper
Transmission speed	500 kbps

System properties

Module

ID code (dec.)	190
ID code (hex)	BE
Length code (hex)	02
Length code (dec)	02
Process data channel	32 bit
Input address area	4 Byte
Output address area	0 Byte
Register length	32 bit
Required parameter data	1 Byte
Required configuration data	4 Byte

Input data

IB IL 24 DI 32/HD-PAC - Digital module



2862835

<https://www.phoenixcontact.com/in/products/2862835>

Digital

Input name	Digital inputs
Description of the input	EN 61131-2 type 1
Number of inputs	32
Connection method	Spring-cage connection
Connection technology	1-conductor
Input voltage	24 V DC
Input voltage range "0" signal	-3 V DC ... 5 V DC
Input voltage range "1" signal	15 V DC ... 30 V DC
Nominal input voltage U_{IN}	24 V DC
Nominal input current at U_{IN}	typ. 2.8 mA
Typical input current per channel	2.8 mA
Typical response time	2 ms
Delay at signal change from 0 to 1	2 ms
Delay at signal change from 1 to 0	4 ms
Protective circuit	Short-circuit and overload protection

Product properties

Type	modular
Product type	I/O component
Product family	Inline
Scope of delivery	including Inline connectors and marking fields
No. of channels	32
Operating mode	Process data operation with 2 words

Insulation characteristics

Overvoltage category	II (IEC 60664-1, EN 60664-1)
Pollution degree	2 (IEC 60664-1, EN 60664-1)

Electrical properties

No. of channels	32
Maximum power dissipation for nominal condition	24.12 W

Potentials

Power consumption	max. 3.3 W (Module, complete, HW 00)
	max. 2.9 W (Module, complete, HW 01 or later)

Potentials: Communications power (U_L)

Supply voltage	7.5 V DC (via voltage jumper)
Current draw	max. 90 mA (HW 00)
	max. 30 mA (from HW 01)
Power consumption	max. 0.675 W (HW 00)
	max. 0.225 W (from HW 01)

Potentials: Segment circuit supply (U_S)

2862835

<https://www.phoenixcontact.com/in/products/2862835>

Supply voltage	24 V DC (via voltage jumper)
Supply voltage range	19.2 V DC ... 30 V DC (including all tolerances, including ripple)
Current draw	max. 50 mA

Connection data

Connection technology

Connection name	Inline connector
-----------------	------------------

Conductor connection

Connection method	Spring-cage connection
Conductor cross section rigid	0.08 mm ² ... 1.5 mm ²
Conductor cross section flexible	0.08 mm ² ... 1.5 mm ²
Conductor cross section AWG	28 ... 16
Stripping length	8 mm

Inline connector

Connection method	Spring-cage connection
Conductor cross section, rigid	0.08 mm ² ... 1.5 mm ²
Conductor cross section, flexible	0.08 mm ² ... 1.5 mm ²
Conductor cross section AWG	28 ... 16
Stripping length	8 mm

Environmental and real-life conditions

Ambient conditions

Ambient temperature (operation)	-25 °C ... 55 °C
Degree of protection	IP20
Air pressure (operation)	70 kPa ... 106 kPa (up to 3000 m above sea level)
Air pressure (storage/transport)	70 kPa ... 106 kPa (up to 3000 m above sea level)
Ambient temperature (storage/transport)	-25 °C ... 85 °C
Permissible humidity (operation)	10 % ... 95 % (non-condensing)
Permissible humidity (storage/transport)	10 % ... 95 % (non-condensing)

Standards and regulations

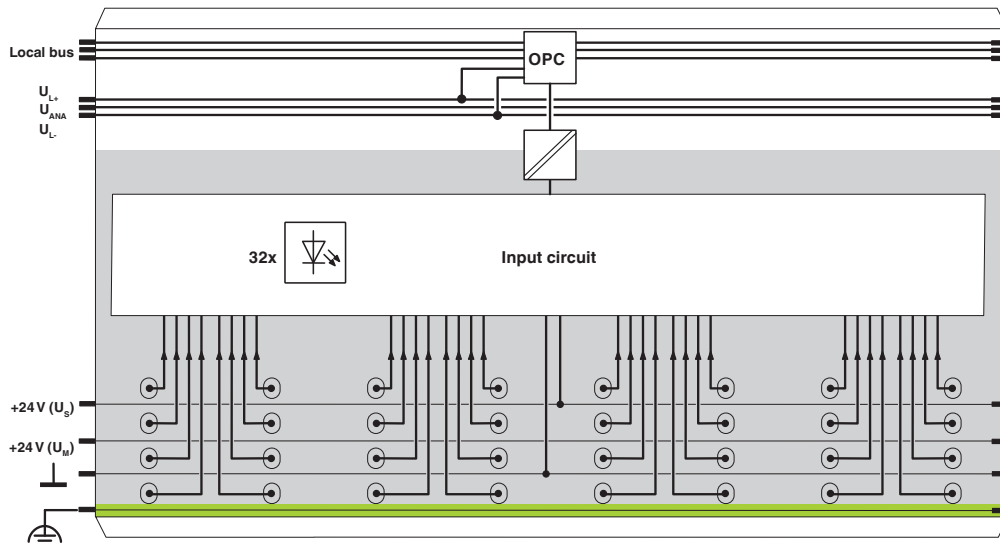
Protection class	III (IEC 61140, EN 61140, VDE 0140-1)
------------------	---------------------------------------

Mounting

Mounting type	DIN rail mounting
---------------	-------------------

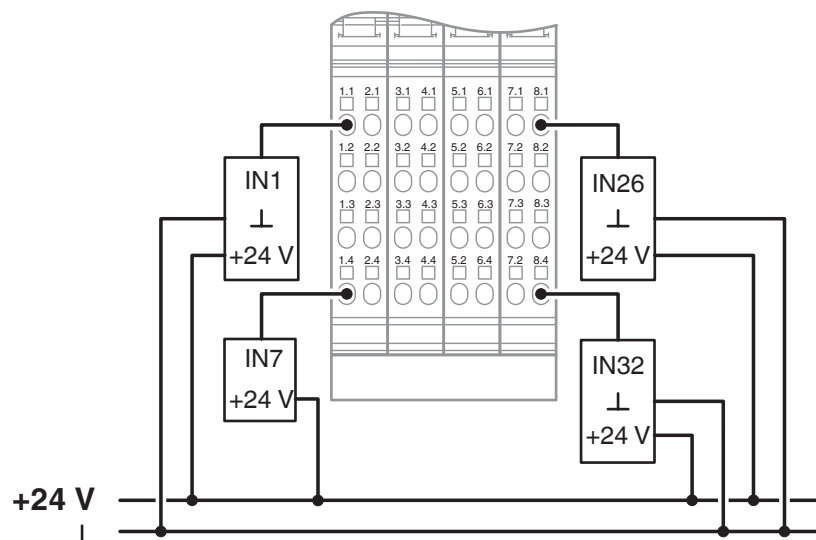
Drawings

Block diagram



Internal wiring of the terminal points

Connection diagram



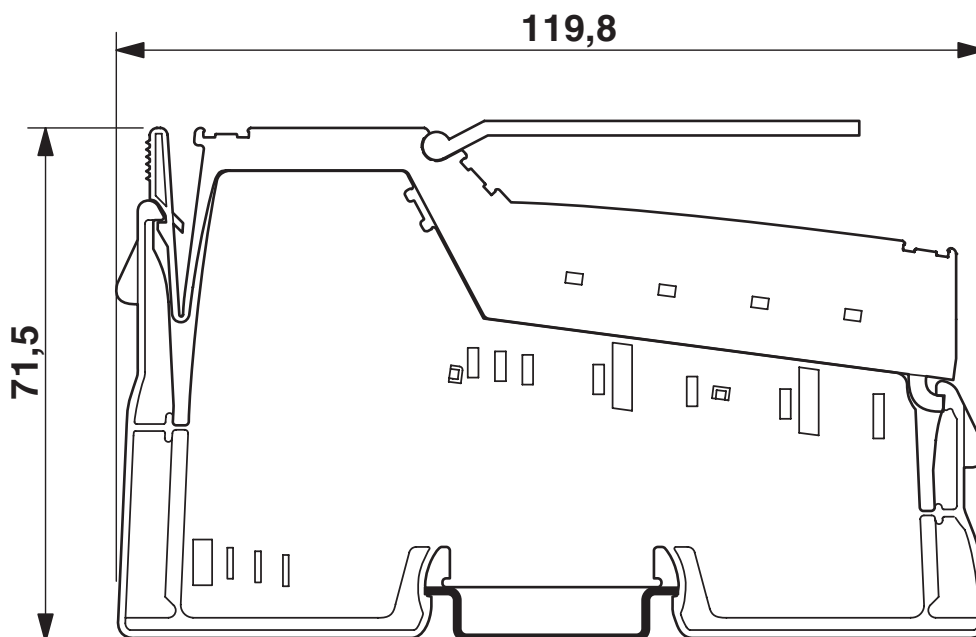
Connection example

IB IL 24 DI 32/HD-PAC - Digital module

2862835

<https://www.phoenixcontact.com/in/products/2862835>

Dimensional drawing



Dimensions (in mm)

2862835

<https://www.phoenixcontact.com/in/products/2862835>

Approvals



cUL Recognized
Approval ID: FILE E 140324



UL Recognized
Approval ID: FILE E 140324



EAC
Approval ID: TR TS_D_01921-19



DNV GL
Approval ID: TAA00000BN



LR
Approval ID: LR22191720TA



BV
Approval ID: 21595/C0 BV



ATEX
Approval ID: PxCIF07ATEX2862835X



cUL Listed
Approval ID: FILE E 199827



UL Listed
Approval ID: FILE E 199827

2862835

<https://www.phoenixcontact.com/in/products/2862835>

Classifications

ECLASS

ECLASS-11.0	27242604
ECLASS-12.0	27242604
ECLASS-13.0	27242604

ETIM

ETIM 8.0	EC001599
----------	----------

UNSPSC

UNSPSC 21.0	32151600
-------------	----------

IB IL 24 DI 32/HD-PAC - Digital module

2862835

<https://www.phoenixcontact.com/in/products/2862835>

Accessories

IB IL PD 24V-PAC - Potential distributors

2862987

<https://www.phoenixcontact.com/in/products/2862987>



Inline terminal for power distribution (24 V), complete with accessories, (connector and labeling field) 24 V supply voltage is fed out from the segment circuit (US)

IB IL PD GND-PAC - Potential distributors

2862990

<https://www.phoenixcontact.com/in/products/2862990>



Inline terminal for power distribution (GND), complete with accessories, (connector and labeling field) connections for GND

IB IL 24 DI 32/HD-PAC - Digital module

2862835

<https://www.phoenixcontact.com/in/products/2862835>



IB IL DI/DO 8-PLSET - Connector set

2860950

<https://www.phoenixcontact.com/in/products/2860950>

Connector set



IB IL FIELD 2 - Labeling field

2727501

<https://www.phoenixcontact.com/in/products/2727501>

Labeling field, width: 12.2 mm



IB IL 24 DI 32/HD-PAC - Digital module

2862835

<https://www.phoenixcontact.com/in/products/2862835>



IB IL FIELD 8 - Labeling field

2727515

<https://www.phoenixcontact.com/in/products/2727515>

Labeling field, width: 48.8 mm



ESL 62X10 - Insert strip

0809492

<https://www.phoenixcontact.com/in/products/0809492>

Insert strip, Sheet, white, unlabeled, can be labeled with: Office printing systems:
Laser printer, mounting type: insert, lettering field size: 62 x 10 mm, Number of
individual labels: 72



IB IL 24 DI 32/HD-PAC - Digital module



2862835

<https://www.phoenixcontact.com/in/products/2862835>

ESL 62X46 - Insert strip

0809502

<https://www.phoenixcontact.com/in/products/0809502>

Insert strip, Sheet, white, unlabeled, can be labeled with: Office printing systems: Laser printer, mounting type: insert, lettering field size: 62 x 46 mm, Number of individual labels: 15

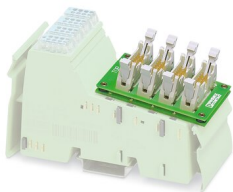


FLKM 14-PA-INLINE/32 - Front adapters

2302777

<https://www.phoenixcontact.com/in/products/2302777>

VARIOFACE front adapter for Inline modules, for transferring 32 (4 x 8) digital signals.



Phoenix Contact 2023 © - all rights reserved

<https://www.phoenixcontact.com>

PHOENIX CONTACT (I) Pvt. Ltd.

A-58/2, Okhla Industrial Area, Phase - II, New Delhi-110 020

+91.1275.71420

info@phoenixcontact.co.in