

# IB IL 24 DO 4-PAC - Digital module



2861276

<https://www.phoenixcontact.com/in/products/2861276>

Please be informed that the data shown in this PDF document is generated from our Online Catalog. Please find the complete data in the user documentation. Our General Terms of Use for Downloads are valid.



Inline, Digital output terminal, Digital outputs: 4, 24 V DC, 500 mA, connection technology: 3-conductor, transmission speed in the local bus: 500 kbps, degree of protection: IP20, including Inline connector and labeling field

## Product Description

The terminal is designed for use within an Inline station. It is used to output digital signals.

## Your advantages

- 4 digital outputs
- Connection of actuators in 2- and 3-conductor technology
- Nominal current per output: 500 mA
- Total current of the terminal: 2 A
- Short-circuit and overload-protected outputs

## Commercial Data

Item number	2861276
Packing unit	1 pc
Minimum order quantity	1 pc
Sales Key	DRI
Product Key	DRI132
Catalog Page	Page 128 (C-6-2019)
GTIN	4017918894214
Weight per Piece (including packing)	94.6 g
Weight per Piece (excluding packing)	66 g
Customs tariff number	85389099
Country of origin	DE

# IB IL 24 DO 4-PAC - Digital module

2861276

<https://www.phoenixcontact.com/in/products/2861276>

## Technical Data

### Dimensions

Dimensional drawing	
Width	12.2 mm
Height	140.5 mm
Depth	71.5 mm
Note on dimensions	Housing dimensions

### Notes

#### Utilization restriction

CCcex note	Use in potentially explosive areas is not permitted in China.
------------	---

### Material specifications

Color	green
-------	-------

### Interfaces

#### Inline local bus

Number of interfaces	2
Connection method	Inline data jumper
Transmission speed	500 kbps

### System properties

#### Module

ID code (dec.)	189
ID code (hex)	BD
Length code (hex)	41
Length code (dec)	65
Process data channel	4 bit
Input address area	0 bit
Output address area	4 bit
Register length	4 bit
Required parameter data	3 Byte
Required configuration data	4 Byte

### Output data

# IB IL 24 DO 4-PAC - Digital module



2861276

<https://www.phoenixcontact.com/in/products/2861276>

## Digital

Output name	Digital outputs
Connection method	Spring-cage connection
Connection technology	3-conductor
Number of outputs	4
Protective circuit	Overload protection, short-circuit protection; electronic
Output voltage	24 V DC ( $U_S - 1$ V)
Maximum inrush current	max. 1.5 A (for 20 ms)
Output current	max. 500 mA (per channel) max. 2 A (Device)
Nominal output voltage	24 V DC
Output voltage when switched off	max. 2 V
Output current when switched off	max. 300 $\mu$ A
Nominal load, inductive	12 VA (1.2 H, 50 $\Omega$ )
Nominal load, lamp	12 W
Nominal load, ohmic	12 W (48 $\Omega$ )
Maximum operating frequency with ohmic nominal load	max. 300 Hz (this switching frequency is limited by the data rate selected, the number of bus devices, the structure of the bus, the software used and the control or computer system used)
Reverse voltage resistance to short pulses	Reverse voltage proof
Behavior with overload	Auto restart
Behavior with inductive overload	Output can be destroyed
Behavior at voltage switch-off	The output follows the power supply without delay

## Product properties

Type	modular
Product type	I/O component
Product family	Inline
Scope of delivery	including Inline connector and labeling field
No. of channels	4
Operating mode	Process data operation with 4 bits
Diagnostics messages	Short-circuit or overload of the digital outputs Error message in the diagnostic code (bus) and display (2 Hz) via the LED (D) on the module

## Insulation characteristics

Overvoltage category	II (IEC 60664-1, EN 60664-1)
Pollution degree	2 (IEC 60664-1, EN 60664-1)

## Electrical properties

No. of channels	4
Maximum power dissipation for nominal condition	48 W

## Potentials: Communications power ( $U_L$ )

Supply voltage	7.5 V DC (via voltage jumper)
Current draw	max. 44 mA

# IB IL 24 DO 4-PAC - Digital module



2861276

<https://www.phoenixcontact.com/in/products/2861276>

Power consumption	max. 0.33 W
Potentials: Segment circuit supply ( $U_S$ )	
Supply voltage	24 V DC (via voltage jumper)
Supply voltage range	19.2 V DC ... 30 V DC (including all tolerances, including ripple)
Current draw	max. 2 A

## Connection data

### Connection technology

Connection name	Inline connector
-----------------	------------------

### Conductor connection

Connection method	Spring-cage connection
Conductor cross section rigid	0.08 mm <sup>2</sup> ... 1.5 mm <sup>2</sup>
Conductor cross section flexible	0.08 mm <sup>2</sup> ... 1.5 mm <sup>2</sup>
Conductor cross section AWG	28 ... 16
Stripping length	8 mm

### Inline connector

Connection method	Spring-cage connection
Conductor cross section, rigid	0.08 mm <sup>2</sup> ... 1.5 mm <sup>2</sup>
Conductor cross section, flexible	0.08 mm <sup>2</sup> ... 1.5 mm <sup>2</sup>
Conductor cross section AWG	28 ... 16
Stripping length	8 mm

## Environmental and real-life conditions

### Ambient conditions

Ambient temperature (operation)	-25 °C ... 55 °C
Degree of protection	IP20
Air pressure (operation)	70 kPa ... 106 kPa (up to 3000 m above sea level)
Air pressure (storage/transport)	70 kPa ... 106 kPa (up to 3000 m above sea level)
Ambient temperature (storage/transport)	-25 °C ... 85 °C
Permissible humidity (operation)	10 % ... 95 % (non-condensing)
Permissible humidity (storage/transport)	10 % ... 95 % (non-condensing)

## Standards and regulations

Protection class	III (IEC 61140, EN 61140, VDE 0140-1)
------------------	---------------------------------------

## Mounting

Mounting type	DIN rail mounting
---------------	-------------------

# IB IL 24 DO 4-PAC - Digital module

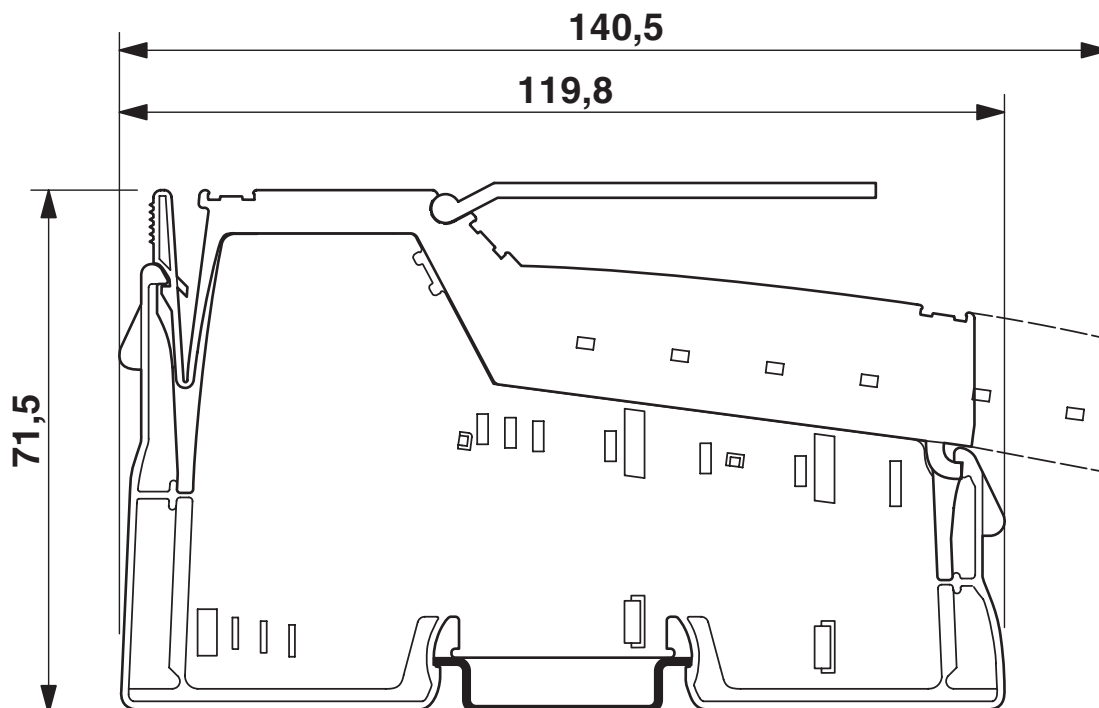


2861276

<https://www.phoenixcontact.com/in/products/2861276>

## Drawings

Dimensional drawing





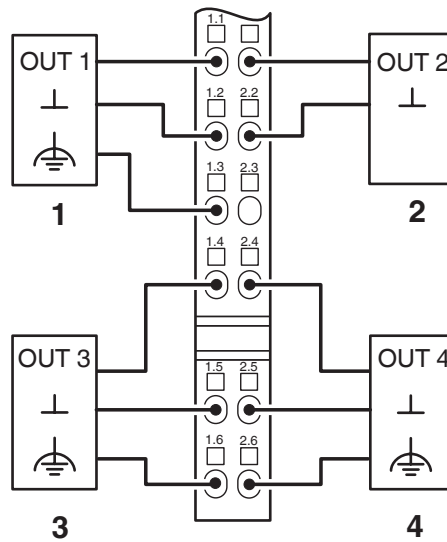
# IB IL 24 DO 4-PAC - Digital module

2861276

<https://www.phoenixcontact.com/in/products/2861276>



Connection diagram



# IB IL 24 DO 4-PAC - Digital module



2861276

<https://www.phoenixcontact.com/in/products/2861276>

## Approvals



**UL Recognized**

Approval ID: FILE E 140324



**EAC**

Approval ID: TR TS\_D\_01921-19



**DNV GL**

Approval ID: TAA00000BN



**LR**

Approval ID: LR22191720TA



**BV**

Approval ID: 20977/C0 BV



**RINA**

Approval ID: ELE121121XG



**UL Recognized**

Approval ID: FILE E 140324



**EAC**

Approval ID: TR TS\_D\_01921-19



**BV**

Approval ID: 20977/C0 BV



**DNV GL**

Approval ID: TAA00000BN



**RINA**

Approval ID: ELE121121XG



**LR**

Approval ID: LR22191720TA



# IB IL 24 DO 4-PAC - Digital module



2861276

<https://www.phoenixcontact.com/in/products/2861276>



## ATEX

Approval ID: PxCIF04ATEX276214X



## cUL Listed

Approval ID: FILE E 199827



## UL Listed

Approval ID: FILE E 199827



## UL Listed

Approval ID: FILE E 199827



## cUL Listed

Approval ID: FILE E 199827



## ATEX

Approval ID: PxCIF04ATEX276214X

# IB IL 24 DO 4-PAC - Digital module



2861276

<https://www.phoenixcontact.com/in/products/2861276>

## Classifications

### ECLASS

ECLASS-11.0	27242604
ECLASS-12.0	27242604
ECLASS-13.0	27242604

### ETIM

ETIM 8.0	EC001599
----------	----------

### UNSPSC

UNSPSC 21.0	32151600
-------------	----------

# IB IL 24 DO 4-PAC - Digital module



2861276

<https://www.phoenixcontact.com/in/products/2861276>

## Environmental Product Compliance

China RoHS	Environmentally Friendly Use Period = 50 years For information on hazardous substances, refer to the manufacturer's declaration available under "Downloads"
------------	--

# IB IL 24 DO 4-PAC - Digital module

2861276

<https://www.phoenixcontact.com/in/products/2861276>



## Accessories

### IB IL SCN-12-OCP - Inline connector

2727624

<https://www.phoenixcontact.com/in/products/2727624>



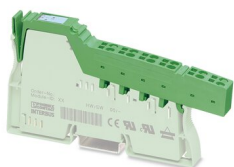
Connector, colored identification, for digital 4, or 16-channel Inline output terminal blocks

---

### IB IL SCN-12 - Inline connector

2726340

<https://www.phoenixcontact.com/in/products/2726340>



Connector, for digital 4 or 16-channel Inline terminals

# IB IL 24 DO 4-PAC - Digital module

2861276

<https://www.phoenixcontact.com/in/products/2861276>



## IB IL FIELD 2 - Labeling field

2727501

<https://www.phoenixcontact.com/in/products/2727501>

Labeling field, width: 12.2 mm



---

## ESL 62X10 - Insert strip

0809492

<https://www.phoenixcontact.com/in/products/0809492>

Insert strip, Sheet, white, unlabeled, can be labeled with: Office printing systems:  
Laser printer, mounting type: insert, lettering field size: 62 x 10 mm, Number of  
individual labels: 72



---

Phoenix Contact 2023 © - all rights reserved

<https://www.phoenixcontact.com>

PHOENIX CONTACT (I) Pvt. Ltd.

A-58/2, Okhla Industrial Area, Phase - II, New Delhi-110 020

+91.1275.71420

[info@phoenixcontact.co.in](mailto:info@phoenixcontact.co.in)