

VAL-MS 320/3+1/FM - Type 2 surge arrester



2859181

<https://www.phoenixcontact.com/in/products/2859181>

Please be informed that the data shown in this PDF document is generated from our Online Catalog. Please find the complete data in the user documentation. Our General Terms of Use for Downloads are valid.



Surge protective device combination, 4-channel, for installation on NS 35/7,5, with remote indication contact (FM) as changeover contact, voltage 230 V AC

Your advantages

- Quality proven millions of times over in the widest range of applications
- Rapid installation with bridges, thanks to industry-standard overall width of 1 HP
- Easy testing and insulation measurement, thanks to pluggable protection modules
- Wide range of applications due to various nominal voltages
- High degree of modularity provides individual solutions for every application

Commercial Data

Item number	2859181
Packing unit	1 pc
Minimum order quantity	1 pc
Sales Key	CL1
Product Key	CL1321
Catalog Page	Page 60 (C-4-2019)
GTIN	4017918911218
Weight per Piece (including packing)	408.2 g
Weight per Piece (excluding packing)	406.6 g
Customs tariff number	85363030
Country of origin	IN

VAL-MS 320/3+1/FM - Type 2 surge arrester



2859181

<https://www.phoenixcontact.com/in/products/2859181>

Technical Data

Product properties

IEC test classification	II
	T2
EN type	T2
IEC power supply system	TN-S
	TT
Type	DIN rail module, two-section, divisible
Product type	Surge arrester
Product family	VALVETRAB MS
Number of positions	4
Surge protection fault message	Optical, remote indicator contact

Insulation characteristics

Overvoltage category	III
Pollution degree	2

Electrical properties

Nominal frequency f_N	50 Hz (60 Hz)
-------------------------	---------------

Indicator/remote signaling

Connection name	Remote fault indicator contact
Switching function	Changeover contact
Operating voltage	5 V AC ... 250 V AC
	30 V DC
Operating current	5 mA AC ... 750 mA AC
	1 A DC

Connection data

Connection method	Screw connection
Screw thread	M5
Tightening torque	3 Nm (1.5 mm ² ... 16 mm ²)
	4.5 Nm (25 mm ² ... 35 mm ²)
Stripping length	16 mm
Conductor cross section flexible	1.5 mm ² ... 25 mm ²
Conductor cross section rigid	1.5 mm ² ... 35 mm ²
Conductor cross section AWG	15 ... 2
Connection method	Fork-type cable lug
Conductor cross section flexible	1.5 mm ² ... 16 mm ²

Remote fault indicator contact

Connection method	Plug-in/screw connection via COMBICON
Screw thread	M2
Tightening torque	0.25 Nm

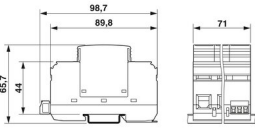
VAL-MS 320/3+1/FM - Type 2 surge arrester

2859181

<https://www.phoenixcontact.com/in/products/2859181>

Conductor cross section flexible	0.14 mm ² ... 1.5 mm ²
Conductor cross section rigid	0.14 mm ² ... 1.5 mm ²
Conductor cross section AWG	28 ... 16

Dimensions

Dimensional drawing	
Width	71 mm
Height	98.7 mm
Depth	65.7 mm (incl. DIN rail 7.5 mm)
Horizontal pitch	4 Div.

Material specifications

Color	jet black RAL 9005
Flammability rating according to UL 94	V-0
CTI value of material	600
Insulating material	PA 6.6/PBT
Material group	I
Housing material	PA 6.6 PBT

Protective circuit

Mode of protection	L-N L-PE N-PE
Direction of action	3L-N & N-PE
Nominal voltage U_N	240/415 V AC (TN-S) 240/415 V AC (TT)
Nominal frequency f_N	50 Hz (60 Hz)
Maximum continuous operating voltage U_C (L-N)	335 V AC
Maximum continuous operating voltage U_C (L-PE)	335 V AC
Maximum continuous operating voltage U_C (N-PE)	260 V AC
Rated load current I_L	80 A
Residual current I_{PE}	$\leq 5 \mu\text{A}$
Standby power consumption P_C	$\leq 450 \text{ mVA}$
Nominal discharge current I_n (8/20) μs	20 kA
Maximum discharge current I_{max} (8/20) μs	40 kA
Follow current interrupt rating I_{fi} (N-PE)	100 A
Short-circuit current rating I_{SCCR}	25 kA
Voltage protection level U_p (L-N)	$\leq 1.5 \text{ kV}$
Voltage protection level U_p (L-PE)	$\leq 1.9 \text{ kV}$

VAL-MS 320/3+1/FM - Type 2 surge arrester



2859181

<https://www.phoenixcontact.com/in/products/2859181>

Voltage protection level U_p (N-PE)	≤ 1.5 kV
Residual voltage U_{res} (L-N)	≤ 1.5 kV (at I_n)
	≤ 1.3 kV (at 10 kA)
	≤ 1.2 kV (at 5 kA)
	≤ 1.1 kV (at 3 kA)
Residual voltage U_{res} (L-PE)	≤ 1.9 kV (at I_n)
	≤ 1.5 kV (at 10 kA)
	≤ 1.3 kV (at 5 kA)
	≤ 1.2 kV (at 3 kA)
Residual voltage U_{res} (N-PE)	≤ 0.4 kV (at I_n)
	≤ 0.25 kV (at 10 kA)
	≤ 0.15 kV (at 5 kA)
	≤ 0.1 kV (at 3 kA)
TOV behavior at U_T (L-N)	415 V AC (5 s / withstand mode)
	440 V AC (120 min / safe failure mode)
TOV behavior at U_T (N-PE)	1200 V AC (200 ms / withstand mode)
Response time t_A (L-N)	≤ 25 ns
Response time t_A (L-PE)	≤ 100 ns
Response time t_A (N-PE)	≤ 100 ns
Max. backup fuse with V-type through wiring	80 A (gG)
Max. backup fuse with branch wiring	125 A (gG)

Environmental and real-life conditions

Ambient conditions

Degree of protection	IP20 (only when all terminal points are used)
Ambient temperature (operation)	-40 °C ... 80 °C
Ambient temperature (storage/transport)	-40 °C ... 80 °C
Altitude	≤ 2000 m (amsl (above mean sea level))
Permissible humidity (operation)	5 % ... 95 %
Shock (operation)	25g (Half-sine / 11 ms / 3x $\pm X$, $\pm Y$, $\pm Z$)
Vibration (operation)	5g (10 ... 500 Hz / 2.5 h / X, Y, Z)

Approvals

UL specifications

Maximum continuous operating voltage MCOV (L-L)	640 V AC
Maximum continuous operating voltage MCOV (L-N)	320 V AC
Maximum continuous operating voltage MCOV (L-G)	320 V AC
Maximum continuous operating voltage MCOV (N-G)	260 V AC
Nominal discharge current I_n (L-L)	20 kA
Nominal discharge current I_n (L-N)	20 kA
Nominal discharge current I_n (L-G)	20 kA
Nominal discharge current I_n (N-G)	20 kA
	L-L

VAL-MS 320/3+1/FM - Type 2 surge arrester



2859181

<https://www.phoenixcontact.com/in/products/2859181>

Mode of protection	L-N
	L-G
	N-G
Nominal voltage	240/415 V AC
Power distribution system	Wye
Nominal frequency	50/60 Hz
Measured limiting voltage MLV (L-L)	2900 V
Measured limiting voltage MLV (L-N)	2030 V
Measured limiting voltage MLV (L-G)	2720 V
Measured limiting voltage MLV (N-G)	1370 V
SPD Type	4CA

UL indicator/remote signaling

AC operating voltage	125 V AC
AC operating current	1 A AC

UL connection data

Tightening torque	30 lb _F -in.
Conductor cross section AWG	14 ... 2

Standards and regulations

Standards/specifications	IEC 61643-11
Standards/specifications	EN 61643-11

Mounting

Mounting type	DIN rail: 35 mm
---------------	-----------------

VAL-MS 320/3+1/FM - Type 2 surge arrester

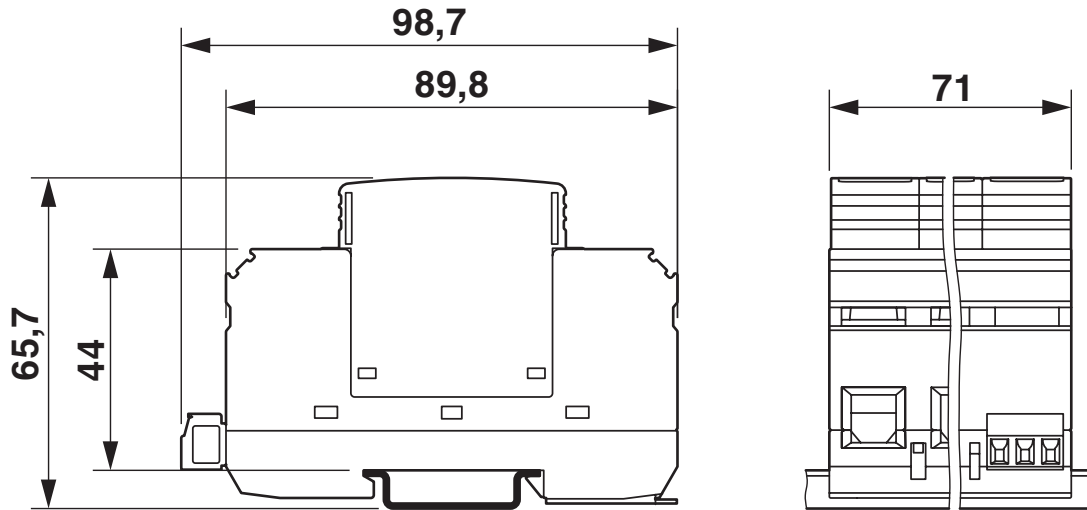
2859181

<https://www.phoenixcontact.com/in/products/2859181>



Drawings

Dimensional drawing

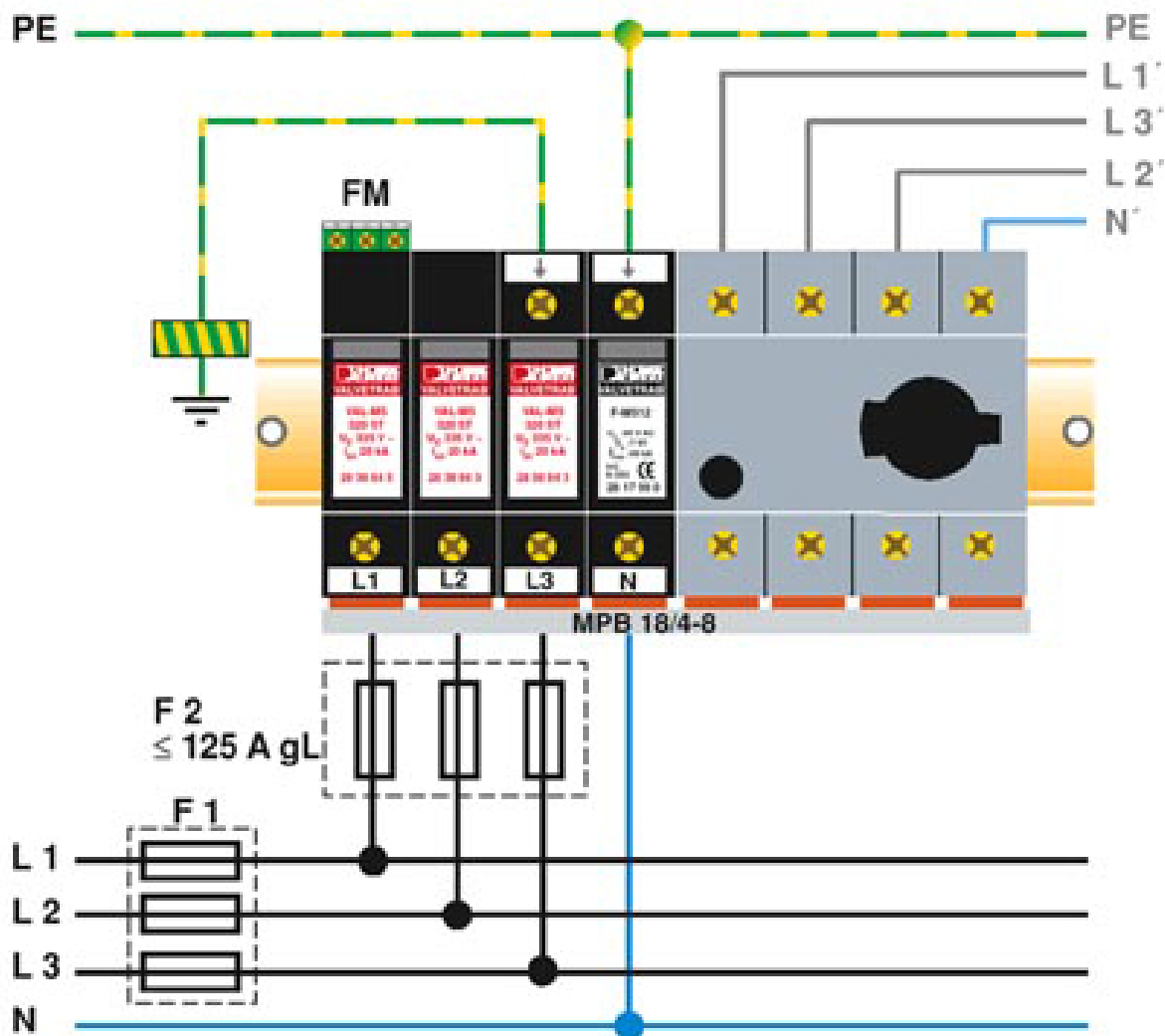


VAL-MS 320/3+1/FM - Type 2 surge arrester

2859181

<https://www.phoenixcontact.com/in/products/2859181>

Application drawing



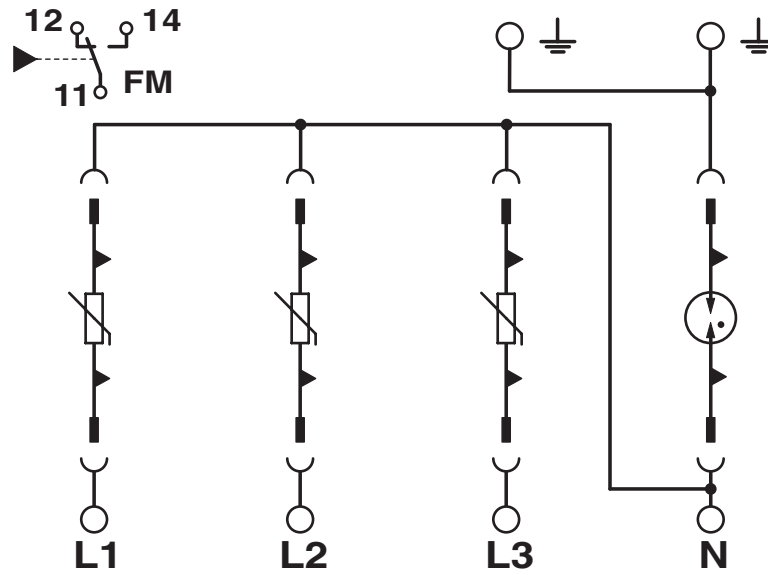
VAL-MS 320/3+1/FM - Type 2 surge arrester

2859181

<https://www.phoenixcontact.com/in/products/2859181>



Circuit diagram



VAL-MS 320/3+1/FM - Type 2 surge arrester



2859181

<https://www.phoenixcontact.com/in/products/2859181>

Approvals



cUL Recognized

Approval ID: FILE E 330181



UL Recognized

Approval ID: FILE E 330181



IECEE CB Scheme

Approval ID: AT 2905/M1



EAC

Approval ID: RU C-DE.*09.B.00169



KEMA-KEUR

Approval ID: 71-113273 REV.1



DNV GL

Approval ID: TAE000041M



CSA

Approval ID: 13631



ÖVE

Approval ID: 18583-001-16



ÖVE

Approval ID: 18583-001-17

VAL-MS 320/3+1/FM - Type 2 surge arrester



2859181

<https://www.phoenixcontact.com/in/products/2859181>

Classifications

ECLASS

ECLASS-11.0	27130805
ECLASS-13.0	27171202

ETIM

ETIM 8.0	EC000941
----------	----------

UNSPSC

UNSPSC 21.0	39121600
-------------	----------

VAL-MS 320/3+1/FM - Type 2 surge arrester



2859181

<https://www.phoenixcontact.com/in/products/2859181>

Environmental Product Compliance

China RoHS	Environmentally friendly use period: unlimited = EFUP-e
	No hazardous substances above threshold values

VAL-MS 320/3+1/FM - Type 2 surge arrester

2859181

<https://www.phoenixcontact.com/in/products/2859181>

Accessories

ZBN 18,LGS:ERDE - Marker for terminal blocks

2749589

<https://www.phoenixcontact.com/in/products/2749589>

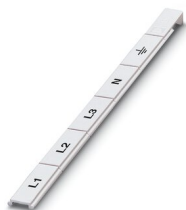


Marker for terminal blocks, Strip, white, labeled, horizontal: Grounding symbol, mounting type: snapped, for terminal block width: 18 mm, lettering field size: 18 x 5 mm, Number of individual labels: 5

ZBN 18,LGS:L1-N,ERDE - Marker for terminal blocks

2749576

<https://www.phoenixcontact.com/in/products/2749576>



Marker for terminal blocks, Strip, white, labeled, horizontal: L1, L2, L3, N, GND, mounting type: snapped, for terminal block width: 18 mm, lettering field size: 18 x 5 mm, Number of individual labels: 5

VAL-MS 320/3+1/FM - Type 2 surge arrester



2859181

<https://www.phoenixcontact.com/in/products/2859181>

ZBN 18:UNBEDRUCKT - Zack marker strip

2809128

<https://www.phoenixcontact.com/in/products/2809128>



Zack marker strip, Strip, white, unlabeled, can be labeled with: CMS-P1-PLOTTER, PLOTMARK, mounting type: snapped, for terminal block width: 18 mm, lettering field size: 18 x 5 mm, Number of individual labels: 5

B-STIFT - Marker pen

1051993

<https://www.phoenixcontact.com/in/products/1051993>



Marker pen, for manual labeling of unprinted Zack strips, smear-proof and waterproof, line thickness 0.5 mm

VAL-MS 320/3+1/FM - Type 2 surge arrester

2859181

<https://www.phoenixcontact.com/in/products/2859181>



DK-BIC-35 - Feed-through terminal block

2749880

<https://www.phoenixcontact.com/in/products/2749880>

Feed-through terminal block for VAL and FLT applications



MPB 18/4- 8 - Wiring bridge

2809283

<https://www.phoenixcontact.com/in/products/2809283>

Wiring bridge for modules with connecting pitch 17.5 mm, 4-phase, 8-pos.



VAL-MS 320/3+1/FM - Type 2 surge arrester

2859181

<https://www.phoenixcontact.com/in/products/2859181>



VAL-MS 320 ST - Type 2 surge protection plug

2838843

<https://www.phoenixcontact.com/in/products/2838843>



Surge protection connector type 2 with high-capacity varistor for VAL-MS base element, thermal monitoring, visual fault warning. Design: 320 V AC

F-MS 12 ST - Type 2 surge protection plug

2817990

<https://www.phoenixcontact.com/in/products/2817990>



Surge protection plug type 2, with N-PE total current spark gap for base element.

Phoenix Contact 2023 © - all rights reserved
<https://www.phoenixcontact.com>

PHOENIX CONTACT (I) Pvt. Ltd.
A-58/2, Okhla Industrial Area, Phase - II, New Delhi-110 020

+91.1275.71420
info@phoenixcontact.co.in