

# VAL-MS 230/3+1/FM-UD - Type 2 surge arrester



2858959

<https://www.phoenixcontact.com/in/products/2858959>

Please be informed that the data shown in this PDF document is generated from our Online Catalog. Please find the complete data in the user documentation. Our General Terms of Use for Downloads are valid.



Surge voltage arrester 4-channel, for mounting on NS 35/7.5, with remote indicator contact. 230 V AC

## Commercial Data

Item number	2858959
Packing unit	1 pc
Minimum order quantity	1 pc
Sales Key	CL1
Product Key	CL1321
GTIN	4017918916350
Weight per Piece (including packing)	403.8 g
Weight per Piece (excluding packing)	397.45 g
Customs tariff number	85363030
Country of origin	DE

# VAL-MS 230/3+1/FM-UD - Type 2 surge arrester



2858959

<https://www.phoenixcontact.com/in/products/2858959>

## Technical Data

### Product properties

IEC test classification	II
	T2
EN type	T2
IEC power supply system	TN-S
	TT
Type	DIN rail module, two-section, divisible
Product type	Surge arrester
Product family	VALVETRAB MS
Number of positions	4
Surge protection fault message	Optical, remote indicator contact

### Insulation characteristics

Overvoltage category	III
Pollution degree	2

### Electrical properties

Nominal frequency $f_N$	50 Hz (60 Hz)
-------------------------	---------------

### Indicator/remote signaling

Connection name	Remote fault indicator contact
Switching function	Changeover contact
Operating voltage	5 V AC ... 250 V AC
	30 V DC
Operating current	5 mA AC ... 750 mA AC
	1 A DC

### Connection data

Connection method	Screw connection
Screw thread	M5
Tightening torque	3 Nm (1.5 mm <sup>2</sup> ... 16 mm <sup>2</sup> )
	4.5 Nm (25 mm <sup>2</sup> ... 35 mm <sup>2</sup> )
Stripping length	16 mm
Conductor cross section flexible	1.5 mm <sup>2</sup> ... 25 mm <sup>2</sup>
Conductor cross section rigid	1.5 mm <sup>2</sup> ... 35 mm <sup>2</sup>
Conductor cross section AWG	15 ... 2
Connection method	Fork-type cable lug
Conductor cross section flexible	1.5 mm <sup>2</sup> ... 16 mm <sup>2</sup>

### Remote fault indicator contact

Connection method	Plug-in/screw connection via COMBICON
Screw thread	M2
Tightening torque	0.25 Nm

# VAL-MS 230/3+1/FM-UD - Type 2 surge arrester

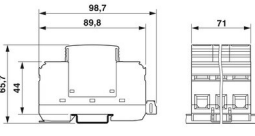


2858959

<https://www.phoenixcontact.com/in/products/2858959>

Conductor cross section flexible	0.14 mm <sup>2</sup> ... 1.5 mm <sup>2</sup>
Conductor cross section rigid	0.14 mm <sup>2</sup> ... 1.5 mm <sup>2</sup>
Conductor cross section AWG	28 ... 16

## Dimensions

Dimensional drawing	
Width	71 mm
Height	98.7 mm
Depth	65.7 mm (incl. DIN rail 7.5 mm)
Horizontal pitch	4 Div.

## Material specifications

Color	jet black RAL 9005
Flammability rating according to UL 94	V-0
CTI value of material	600
Insulating material	PA 6.6/PBT
Material group	I
Housing material	PA 6.6 PBT

## Protective circuit

Mode of protection	L-N L-PE N-PE
Direction of action	3L-N & N-PE
Nominal voltage $U_N$	240/415 V AC (TN-S) 240/415 V AC (TT)
Nominal frequency $f_N$	50 Hz (60 Hz)
Maximum continuous operating voltage $U_C$ (L-N)	275 V AC
Maximum continuous operating voltage $U_C$ (L-PE)	275 V AC
Maximum continuous operating voltage $U_C$ (N-PE)	260 V AC
Rated load current $I_L$	80 A
Residual current $I_{PE}$	$\leq 5 \mu\text{A}$
Standby power consumption $P_C$	$\leq 360 \text{ mVA}$
Nominal discharge current $I_n$ (8/20) $\mu\text{s}$	20 kA
Maximum discharge current $I_{max}$ (8/20) $\mu\text{s}$	40 kA
Follow current interrupt rating $I_{fi}$ (N-PE)	100 A
Short-circuit current rating $I_{SCCR}$	25 kA
Voltage protection level $U_p$ (L-N)	$\leq 1.35 \text{ kV}$
Voltage protection level $U_p$ (L-PE)	$\leq 1.6 \text{ kV}$

# VAL-MS 230/3+1/FM-UD - Type 2 surge arrester



2858959

<https://www.phoenixcontact.com/in/products/2858959>

Voltage protection level $U_p$ (N-PE)	$\leq 1.5$ kV
Residual voltage $U_{res}$ (L-N)	$\leq 1.35$ kV (at $I_n$ )
	$\leq 1.1$ kV (at 10 kA)
	$\leq 1$ kV (at 5 kA)
	$\leq 0.9$ kV (at 3 kA)
Residual voltage $U_{res}$ (L-PE)	$\leq 1.6$ kV (at $I_n$ )
	$\leq 1.2$ kV (at 10 kA)
	$\leq 1$ kV (at 5 kA)
	$\leq 0.9$ kV (at 3 kA)
Residual voltage $U_{res}$ (N-PE)	$\leq 0.4$ kV (at $I_n$ )
	$\leq 0.25$ kV (at 10 kA)
	$\leq 0.15$ kV (at 5 kA)
	$\leq 0.1$ kV (at 3 kA)
TOV behavior at $U_T$ (L-N)	335 V AC (5 s / withstand mode)
	440 V AC (120 min / safe failure mode)
TOV behavior at $U_T$ (N-PE)	1200 V AC (200 ms / withstand mode)
Response time $t_A$ (L-N)	$\leq 25$ ns
Response time $t_A$ (L-PE)	$\leq 100$ ns
Response time $t_A$ (N-PE)	$\leq 100$ ns
Max. backup fuse with V-type through wiring	80 A (gG)
Max. backup fuse with branch wiring	125 A (gG)

## Environmental and real-life conditions

### Ambient conditions

Degree of protection	IP20 (only when all terminal points are used)
Ambient temperature (operation)	-40 °C ... 80 °C
Ambient temperature (storage/transport)	-40 °C ... 80 °C
Altitude	$\leq 2000$ m (amsl (above mean sea level))
Permissible humidity (operation)	5 % ... 95 %
Shock (operation)	25g (Half-sine / 11 ms / $3x \pm X, \pm Y, \pm Z$ )
Vibration (operation)	5g (10 ... 500 Hz / 2.5 h / X, Y, Z)

## Standards and regulations

Standards/specifications	IEC 61643-11
Standards/specifications	EN 61643-11

## Mounting

Mounting type	DIN rail: 35 mm
---------------	-----------------

# VAL-MS 230/3+1/FM-UD - Type 2 surge arrester

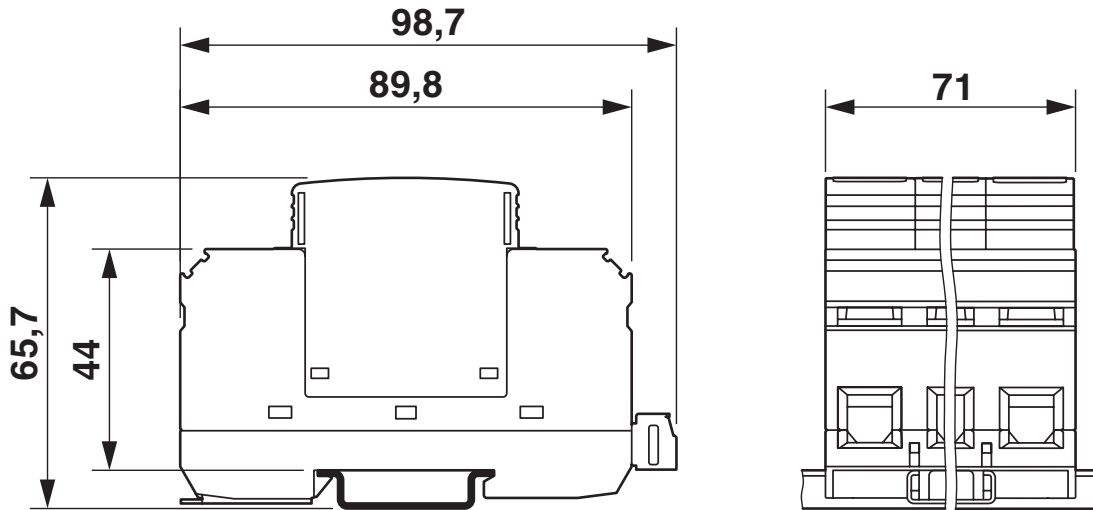


2858959

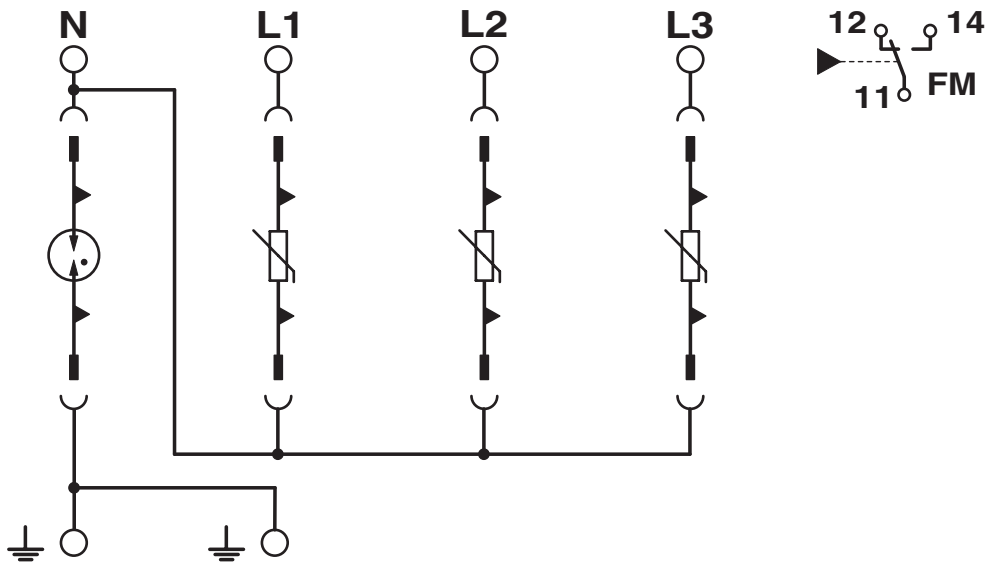
<https://www.phoenixcontact.com/in/products/2858959>

## Drawings

Dimensional drawing



Circuit diagram



# VAL-MS 230/3+1/FM-UD - Type 2 surge arrester



2858959

<https://www.phoenixcontact.com/in/products/2858959>

## Approvals



**IECEE CB Scheme**

Approval ID: AT 2905/M1



**EAC**

Approval ID: RU C-DE.\*09.B.00169



**KEMA-KEUR**

Approval ID: 71-113273 REV.1



**ÖVE**

Approval ID: 18583-001-16



**ÖVE**

Approval ID: 18583-001-17

# VAL-MS 230/3+1/FM-UD - Type 2 surge arrester



2858959

<https://www.phoenixcontact.com/in/products/2858959>

## Classifications

### ECLASS

ECLASS-11.0	27130805
ECLASS-13.0	27171202

### ETIM

ETIM 8.0	EC000941
----------	----------

### UNSPSC

UNSPSC 21.0	39121600
-------------	----------

# VAL-MS 230/3+1/FM-UD - Type 2 surge arrester



2858959

<https://www.phoenixcontact.com/in/products/2858959>

## Environmental Product Compliance

China RoHS	Environmentally friendly use period: unlimited = EFUP-e
	No hazardous substances above threshold values



# VAL-MS 230/3+1/FM-UD - Type 2 surge arrester



2858959

<https://www.phoenixcontact.com/in/products/2858959>

## Accessories

### ZBN 18:UNBEDRUCKT - Zack marker strip

2809128

<https://www.phoenixcontact.com/in/products/2809128>



Zack marker strip, Strip, white, unlabeled, can be labeled with: CMS-P1-PLOTTER, PLOTMARK, mounting type: snapped, for terminal block width: 18 mm, lettering field size: 18 x 5 mm, Number of individual labels: 5

---

### ZBN 18,LGS:ERDE - Marker for terminal blocks

2749589

<https://www.phoenixcontact.com/in/products/2749589>



Marker for terminal blocks, Strip, white, labeled, horizontal: Grounding symbol, mounting type: snapped, for terminal block width: 18 mm, lettering field size: 18 x 5 mm, Number of individual labels: 5

# VAL-MS 230/3+1/FM-UD - Type 2 surge arrester

2858959

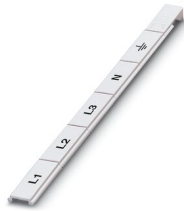
<https://www.phoenixcontact.com/in/products/2858959>



## ZBN 18,LGS:L1-N,ERDE - Marker for terminal blocks

2749576

<https://www.phoenixcontact.com/in/products/2749576>



Marker for terminal blocks, Strip, white, labeled, horizontal: L1, L2, L3, N, GND, mounting type: snapped, for terminal block width: 18 mm, lettering field size: 18 x 5 mm, Number of individual labels: 5

---

## B-STIFT - Marker pen

1051993

<https://www.phoenixcontact.com/in/products/1051993>



Marker pen, for manual labeling of unprinted Zack strips, smear-proof and waterproof, line thickness 0.5 mm

# VAL-MS 230/3+1/FM-UD - Type 2 surge arrester



2858959

<https://www.phoenixcontact.com/in/products/2858959>

## MPB 18/4- 8 - Wiring bridge

2809283

<https://www.phoenixcontact.com/in/products/2809283>



Wiring bridge for modules with connecting pitch 17.5 mm, 4-phase, 8-pos.

---

## VAL-MS 230-UD-ST - Type 2 surge protection plug

2858962

<https://www.phoenixcontact.com/in/products/2858962>



Surge protection connector type 2 with high-capacity varistor for VAL-MS base element, thermal monitoring, visual fault warning. Design: 230 V AC

# VAL-MS 230/3+1/FM-UD - Type 2 surge arrester

2858959

<https://www.phoenixcontact.com/in/products/2858959>



## F-MS 12-UD ST - Type 2 surge protection plug

2858328

<https://www.phoenixcontact.com/in/products/2858328>



Surge protection plug type 2, with N-PE total current spark gap for base element.

---

Phoenix Contact 2023 © - all rights reserved

<https://www.phoenixcontact.com>

PHOENIX CONTACT (I) Pvt. Ltd.

A-58/2, Okhla Industrial Area, Phase - II, New Delhi-110 020

+91.1275.71420

[info@phoenixcontact.co.in](mailto:info@phoenixcontact.co.in)