

FLT 100 N/PE CTRL-1.5 - Type 1+2 combined lightning current and surge arrester



2856388

<https://www.phoenixcontact.com/in/products/2856388>

Please be informed that the data shown in this PDF document is generated from our Online Catalog. Please find the complete data in the user documentation. Our General Terms of Use for Downloads are valid.



Lightning current arrester with encapsulated N-PE spark gap and ignition electronics, 1-channel.
Protection level: 1.5 kV. Housing width: 35 mm (2 Div.)

Commercial Data

Item number	2856388
Packing unit	1 pc
Minimum order quantity	1 pc
Sales Key	CL1
Product Key	CL1131
Catalog Page	Page 19 (TT-2009)
GTIN	4017918890858
Weight per Piece (including packing)	313.54 g
Weight per Piece (excluding packing)	313.1 g
Customs tariff number	85363030
Country of origin	IN

FLT 100 N/PE CTRL-1.5 - Type 1+2 combined lightning current and surge arrester

2856388

<https://www.phoenixcontact.com/in/products/2856388>

Technical Data

Notes

Trade restriction

CE note	The products are offered exclusively for export outside the EU and the European Economic Area.
---------	--

Product properties

IEC test classification	I
	T1
EN type	T1
IEC power supply system	TT
	TN-S
Type	DIN rail module, one-piece
Product type	Combination type
Surge protection fault message	none

Electrical properties

Nominal frequency f_N	50 Hz
	60 Hz
Nominal voltage U_N	230 V AC (400 V AC / TN, TT)

Connection data

Connection method	Screw connection
Screw thread	M6
Tightening torque, min	8 Nm
Stripping length	19 mm
Conductor cross section flexible min.	16 mm ²
Conductor cross section flexible max.	35 mm ²
Conductor cross section, rigid min.	10 mm ²
Conductor cross section, rigid max.	50 mm ²

Dimensions

Dimensional drawing	
Width	35.8 mm
Height	90 mm

FLT 100 N/PE CTRL-1.5 - Type 1+2 combined lightning current and surge arrester



2856388

<https://www.phoenixcontact.com/in/products/2856388>

Depth	65.7 mm
Horizontal pitch	2 Div.

Material specifications

Color	black
Flammability rating according to UL 94	V0
Housing material	PBT

Mechanical properties

Mechanical data

Open side panel	No
-----------------	----

Protective circuit

Direction of action	N-PE
Nominal frequency f_N	50 Hz
	60 Hz
Maximum continuous voltage U_C	260 V AC
Maximum continuous operating voltage U_C (N-PE)	260 V AC
Residual current I_{PE}	≤ 0.1 mA
Standby power consumption P_C	≤ 26 mVA
Nominal discharge current I_n (8/20) μ s	100 kA
Nominal discharge current I_n (8/20) μ s (N-PE)	100 kA
Maximum discharge current I_{max} (8/20) μ s	100 kA
Maximum discharge current I_{max} (8/20) μ s (N-PE)	100 kA
Impulse discharge current (10/350) μ s, charge	50 As
Impulse discharge current (10/350) μ s, specific energy	2.5 MJ/ Ω
Impulse discharge current (10/350) μ s, peak value I_{imp}	100 kA
Follow current interrupt rating I_{fi}	100 A
Follow current interrupt rating I_{fi} (N-PE)	100 A
Voltage protection level U_p	≤ 1.5 kV
Voltage protection level U_p (N-PE)	≤ 1.5 kV
Front of wave sparkover voltage at 6 kV (1.2/50) μ s	≤ 1.5 kV
Response time t_A	≤ 100 ns
Response time t_A (N-PE)	≤ 100 ns

Environmental and real-life conditions

Ambient conditions

Degree of protection	IP20
Ambient temperature (operation)	-40 °C ... 85 °C
Permissible humidity (operation)	≤ 95 %

Standards and regulations

FLT 100 N/PE CTRL-1.5 - Type 1+2 combined lightning current and surge arrester



2856388

<https://www.phoenixcontact.com/in/products/2856388>

Air clearances and creepage distances

Standards/regulations	EN 60664-1 / EN 61643-11
-----------------------	--------------------------

Standards

Standards/regulations	IEC 61643-1
	EN 61643-11
	DIN EN 61643-11/A11
Standards/specifications	IEC 61643-1
Standards/specifications	DIN EN 61643-11
Standards/specifications	DIN EN 61643-11/A11

Mounting

Mounting type	DIN rail: 35 mm
---------------	-----------------

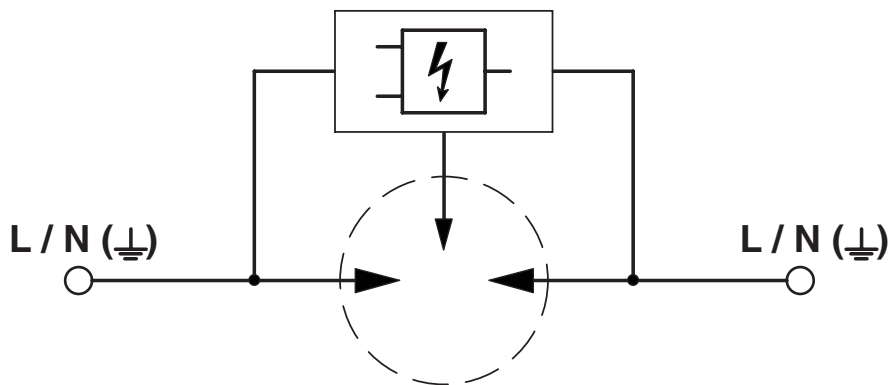
FLT 100 N/PE CTRL-1.5 - Type 1+2 combined lightning current and surge arrester

2856388

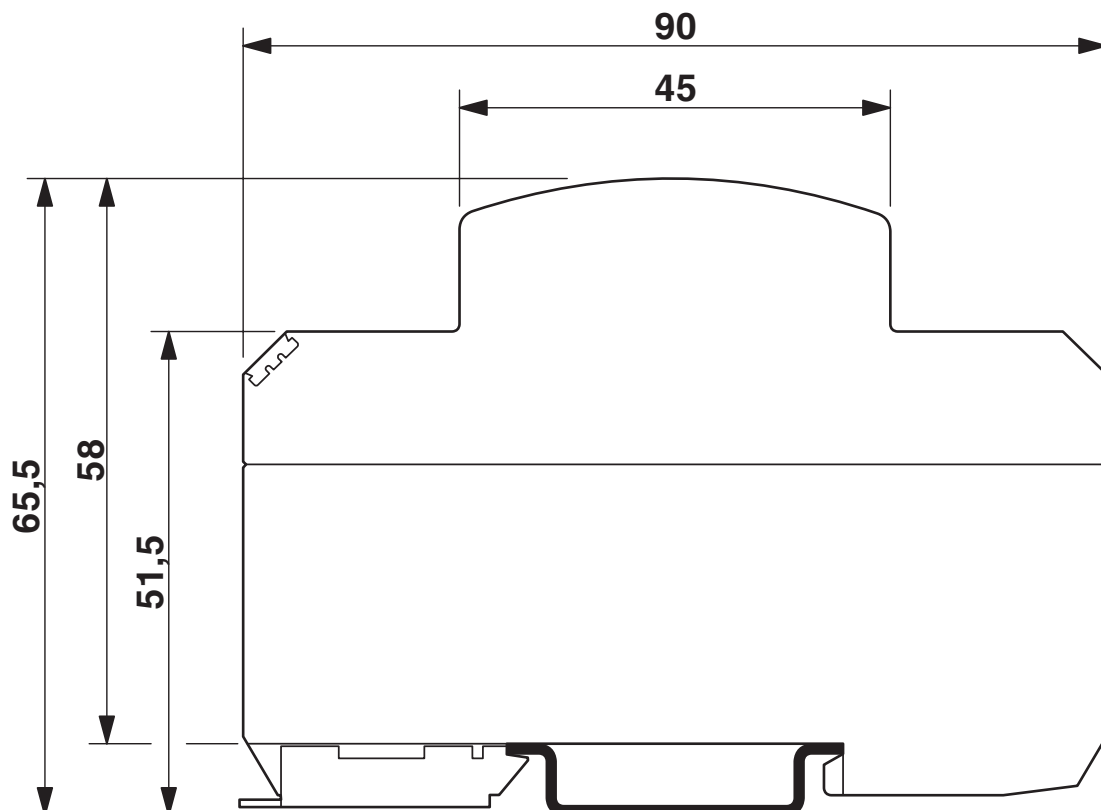
<https://www.phoenixcontact.com/in/products/2856388>

Drawings

Circuit diagram



Dimensional drawing



FLT 100 N/PE CTRL-1.5 - Type 1+2 combined lightning current and surge arrester



2856388

<https://www.phoenixcontact.com/in/products/2856388>

Approvals



EAC

Approval ID: RU C-DE. *09.B.00169

FLT 100 N/PE CTRL-1.5 - Type 1+2 combined lightning current and surge arrester



2856388

<https://www.phoenixcontact.com/in/products/2856388>

Environmental Product Compliance

REACH SVHC	Lead 7439-92-1
China RoHS	Environmentally Friendly Use Period = 50 years
	For information on hazardous substances, refer to the manufacturer's declaration available under "Downloads"

FLT 100 N/PE CTRL-1.5 - Type 1+2 combined lightning current and surge arrester

2856388

<https://www.phoenixcontact.com/in/products/2856388>

Accessories

CLIPFIX 35 - End clamp

3022218

<https://www.phoenixcontact.com/in/products/3022218>

Quick mounting end clamp for NS 35/7,5 DIN rail or NS 35/15 DIN rail, with marking option, width: 9.5 mm, color: gray

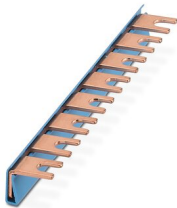


MPB 18/1- 8 BU - Wiring bridge

2858470

<https://www.phoenixcontact.com/in/products/2858470>

Wiring bridge for modules with connecting pitch 17.5 mm, 1-phase, 8-pos., color: Blue



FLT 100 N/PE CTRL-1.5 - Type 1+2 combined lightning current and surge arrester



2856388

<https://www.phoenixcontact.com/in/products/2856388>

B-STIFT - Marker pen

1051993

<https://www.phoenixcontact.com/in/products/1051993>



Marker pen, for manual labeling of unprinted Zack strips, smear-proof and waterproof, line thickness 0.5 mm

ZBN 18:UNBEDRUCKT - Zack marker strip

2809128

<https://www.phoenixcontact.com/in/products/2809128>



Zack marker strip, Strip, white, unlabeled, can be labeled with: CMS-P1-PLOTTER, PLOTMARK, mounting type: snapped, for terminal block width: 18 mm, lettering field size: 18 x 5 mm, Number of individual labels: 5

FLT 100 N/PE CTRL-1.5 - Type 1+2 combined lightning current and surge arrester



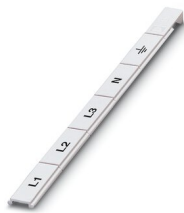
2856388

<https://www.phoenixcontact.com/in/products/2856388>

ZBN 18,LGS:L1-N,ERDE - Marker for terminal blocks

2749576

<https://www.phoenixcontact.com/in/products/2749576>



Marker for terminal blocks, Strip, white, labeled, horizontal: L1, L2, L3, N, GND, mounting type: snapped, for terminal block width: 18 mm, lettering field size: 18 x 5 mm, Number of individual labels: 5

ZBN 18,LGS:ERDE - Marker for terminal blocks

2749589

<https://www.phoenixcontact.com/in/products/2749589>



Marker for terminal blocks, Strip, white, labeled, horizontal: Grounding symbol, mounting type: snapped, for terminal block width: 18 mm, lettering field size: 18 x 5 mm, Number of individual labels: 5

Phoenix Contact 2023 © - all rights reserved

<https://www.phoenixcontact.com>

PHOENIX CONTACT (I) Pvt. Ltd.

A-58/2, Okhla Industrial Area, Phase - II, New Delhi-110 020

+91.1275.71420

info@phoenixcontact.co.in