

# PT 1X2+F-BE - Surge protection base-element

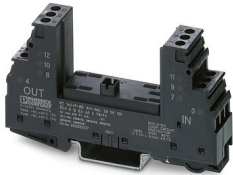


2856126

<https://www.phoenixcontact.com/in/products/2856126>

Please be informed that the data shown in this PDF document is generated from our Online Catalog. Please find the complete data in the user documentation. Our General Terms of Use for Downloads are valid.

Base element for protective plug PT with protective circuit for a 2-core floating signal circuit. Integrated gas arrester as coarse protection between GND and PE. Mounting on NS 35/7.5 und NS 35/15, housing width: 17.5 mm.



## Your advantages

- Maximum ease of maintenance, thanks to the 2-piece design
- Easy selection for all possible demands in MCR applications with a complete product portfolio
- The signal is not influenced during maintenance work, thanks to the impedance-neutral insertion and removal of protective plugs

## Commercial Data

Item number	2856126
Packing unit	10 pc
Minimum order quantity	1 pc
Sales Key	CL2
Product Key	CL2111
Catalog Page	Page 122 (C-4-2019)
GTIN	4017918599270
Weight per Piece (including packing)	55.08 g
Weight per Piece (excluding packing)	46.381 g
Customs tariff number	85363010
Country of origin	DE

# PT 1X2+F-BE - Surge protection base-element

2856126

<https://www.phoenixcontact.com/in/products/2856126>

## Technical Data

### Notes

General	In the base elements <b>PT...+F-BE</b> , the connections 9/10 (GND) are linked to the mounting foot via a gas-filled surge arrester.
---------	--

### Product properties

Type	Base element, DIN rail mounting
Product type	Base element
Product family	PLUGTRAB PT
Number of positions	2
Surge protection fault message	none
Wire pairs per module	1

### Insulation characteristics

Overvoltage category	III
Pollution degree	2

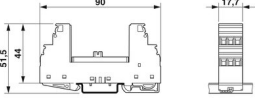
### Electrical properties

Nominal voltage $U_N$	48 V DC
-----------------------	---------

### Connection data

Connection method	Screw connection
Screw thread	M3
Tightening torque	0.5 Nm
Conductor cross section flexible	0.2 mm <sup>2</sup> ... 2.5 mm <sup>2</sup>
Conductor cross section rigid	0.2 mm <sup>2</sup> ... 4 mm <sup>2</sup>
Conductor cross section AWG	24 ... 12

### Dimensions

Dimensional drawing	
Width	17.7 mm
Height	90 mm
Depth	51.5 mm (incl. DIN rail 7.5 mm)
Horizontal pitch	1 Div.

### Material specifications

Color	jet black RAL 9005
Flammability rating according to UL 94	V-0
Housing material	PA 6.6

# PT 1X2+F-BE - Surge protection base-element



2856126

<https://www.phoenixcontact.com/in/products/2856126>

## Mechanical properties

### Mechanical data

Open side panel	No
-----------------	----

## Protective circuit

Direction of action	Signal Ground/Shield-Earth Ground
Maximum continuous voltage $U_C$	53 V DC
	37 V AC
Rated current	450 mA (45 °C)
Resistance per path	2.2 $\Omega$ $\pm$ 10 %
Surge protection fault message	none
Max. required back-up fuse	500 mA (T)

## Environmental and real-life conditions

### Ambient conditions

Degree of protection	IP20
Ambient temperature (operation)	-40 °C ... 85 °C
Ambient temperature (storage/transport)	-40 °C ... 85 °C
Altitude	$\leq$ 2000 m (amsl (above mean sea level))

## Approvals

### Conformity/Approvals

ATEX	<input type="checkbox"/> II 3 G Ex nA II T6/T4 X
------	--

## Standards and regulations

Standards/specifications	IEC 61643-21
Standards/specifications	EN 61643-21

## Mounting

Mounting type	DIN rail: 35 mm
---------------	-----------------

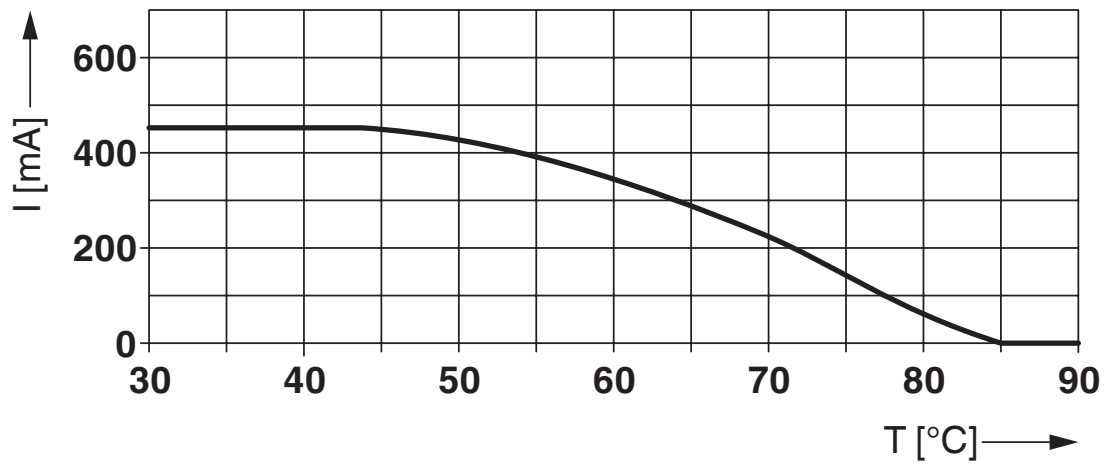
# PT 1X2+F-BE - Surge protection base-element

2856126

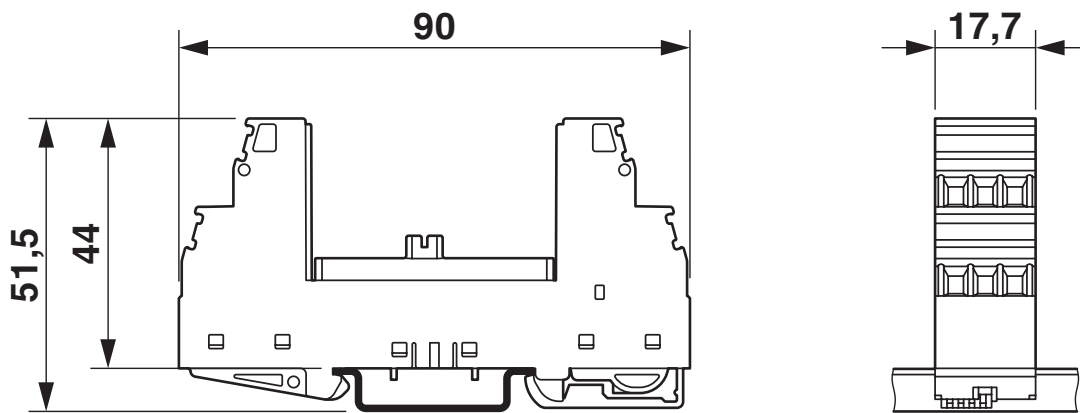
<https://www.phoenixcontact.com/in/products/2856126>

## Drawings

Diagram



Dimensional drawing



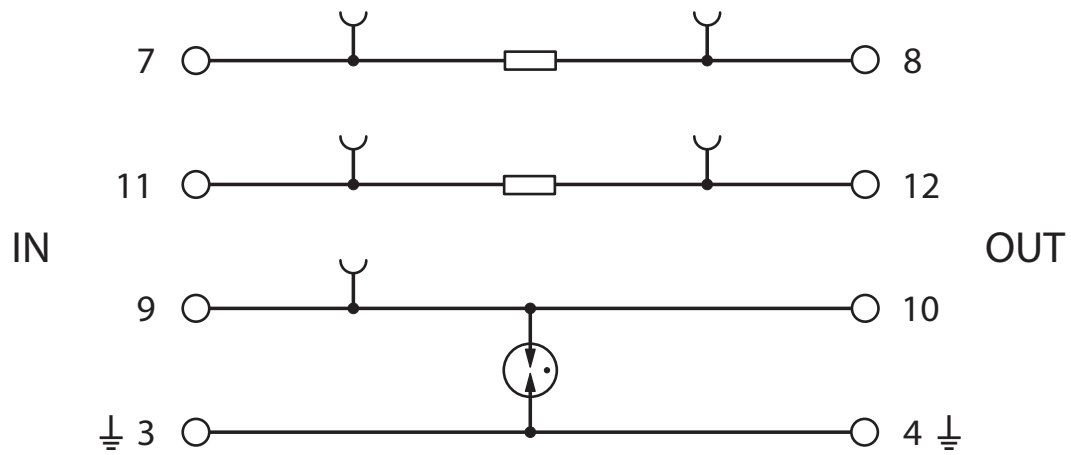
# PT 1X2+F-BE - Surge protection base-element



2856126

<https://www.phoenixcontact.com/in/products/2856126>

Circuit diagram



# PT 1X2+F-BE - Surge protection base-element



2856126

<https://www.phoenixcontact.com/in/products/2856126>

## Approvals



**EAC**

Approval ID: EAC-Zulassung



**DNV GL**

Approval ID: TAE00001N6



**EAC**

Approval ID: RU C-DE.\*09.B.00169



**UL Listed**

Approval ID: FILE E 138168



**CCC**

Approval ID: 2020322316002243



**cUL Listed**

Approval ID: FILE E 333250



**UL Listed**

Approval ID: FILE E 333250



**CCC**

Approval ID: 2020322316003150



**NEPSI**

Approval ID: GYJ20.1180X



**ATEX**

Approval ID: DEKRA 22ATEX0044 X



**IECEx**

Approval ID: IECEx DEK 22.0031X



**UKCA-EX**

Approval ID: DEKRA 22UKEX6005X

# PT 1X2+F-BE - Surge protection base-element

2856126

<https://www.phoenixcontact.com/in/products/2856126>



# PT 1X2+F-BE - Surge protection base-element



2856126

<https://www.phoenixcontact.com/in/products/2856126>

## Classifications

### ECLASS

ECLASS-11.0

27130803

### ETIM

ETIM 8.0

EC000472

### UNSPSC

UNSPSC 21.0

39121600



# PT 1X2+F-BE - Surge protection base-element



2856126

<https://www.phoenixcontact.com/in/products/2856126>

## Environmental Product Compliance

China RoHS	Environmentally friendly use period: unlimited = EFUP-e
	No hazardous substances above threshold values

# PT 1X2+F-BE - Surge protection base-element



2856126

<https://www.phoenixcontact.com/in/products/2856126>

## Accessories

### ZB 5,LGS:FORTL.ZAHLEN - Zack marker strip

1050017

<https://www.phoenixcontact.com/in/products/1050017>



Zack marker strip, Strip, white, labeled, printed horizontally: consecutive numbers 1 ... 10, 11 ... 20, etc. up to 491 ... 500, mounting type: snapped, for terminal block width: 5.2 mm, lettering field size: 5.15 x 10.5 mm, Number of individual labels: 10

---

### ZB 5 :UNBEDRUCKT - Zack marker strip

1050004

<https://www.phoenixcontact.com/in/products/1050004>



Zack marker strip, Strip, white, unlabeled, can be labeled with: PLOTMARK, CMS-P1-PLOTTER, mounting type: snapped, for terminal block width: 5.2 mm, lettering field size: 5.1 x 10.5 mm, Number of individual labels: 10

# PT 1X2+F-BE - Surge protection base-element

2856126

<https://www.phoenixcontact.com/in/products/2856126>

## ZB 5,LGS:L1-N,PE - Zack marker strip

1050415

<https://www.phoenixcontact.com/in/products/1050415>



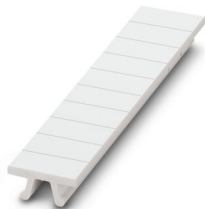
Zack marker strip, Strip, white, labeled, horizontal: L1, L2, L3, N, PE, L1, L2, L3, N, PE, mounting type: snapped, for terminal block width: 5.2 mm, lettering field size: 5.15 x 10.5 mm, Number of individual labels: 10

---

## ZB 5,8:UNBEDRUCKT - Zack marker strip

2715209

<https://www.phoenixcontact.com/in/products/2715209>



Zack marker strip, Strip, white, unlabeled, can be labeled with: PLOTMARK, CMS-P1-PLOTTER, mounting type: snapped, for terminal block width: 5.8 mm, lettering field size: 5.75 x 10.5 mm, Number of individual labels: 10

# PT 1X2+F-BE - Surge protection base-element

2856126

<https://www.phoenixcontact.com/in/products/2856126>



## X-PEN 0,35 - Marker pen

0811228

<https://www.phoenixcontact.com/in/products/0811228>



Marker pen without ink cartridge, for manual labeling of markers, labeling extremely wipe-proof, line thickness 0.35 mm

---

## B-STIFT - Marker pen

1051993

<https://www.phoenixcontact.com/in/products/1051993>



Marker pen, for manual labeling of unprinted Zack strips, smear-proof and waterproof, line thickness 0.5 mm

## PT 1X2+F-BE - Surge protection base-element

2856126

<https://www.phoenixcontact.com/in/products/2856126>



## ZBF 5:UNBEDRUCKT - Zack Marker strip, flat

0808642

<https://www.phoenixcontact.com/in/products/0808642>



Zack Marker strip, flat, Strip, white, unlabeled, can be labeled with: PLOTMARK, CMS-P1-PLOTTER, mounting type: snapped, for terminal block width: 5 mm, lettering field size: 5.1 x 5.2 mm, Number of individual labels: 10

---

## PT 1X2- 5DC-ST - Surge protection plug

2856016

<https://www.phoenixcontact.com/in/products/2856016>



PT protective connector with protective circuit for a 2-wire floating signal circuit. HART-compatible.

# PT 1X2+F-BE - Surge protection base-element

2856126

<https://www.phoenixcontact.com/in/products/2856126>

## PT 1X2-12AC-ST - Surge protection plug

2856045

<https://www.phoenixcontact.com/in/products/2856045>



PT protective connector with protective circuit for a 2-wire floating signal circuit.  
HART-compatible.

---

## PT 1X2-12DC-ST - Surge protection plug

2856029

<https://www.phoenixcontact.com/in/products/2856029>



PT protective connector with protective circuit for a 2-wire floating signal circuit.  
HART-compatible.

## PT 1X2+F-BE - Surge protection base-element

2856126

<https://www.phoenixcontact.com/in/products/2856126>



### PT 1X2-24AC-ST - Surge protection plug

2856058

<https://www.phoenixcontact.com/in/products/2856058>



PT protective connector with protective circuit for a 2-wire floating signal circuit.  
HART-compatible.

---

### PT 1X2-24DC-ST - Surge protection plug

2856032

<https://www.phoenixcontact.com/in/products/2856032>



PT protective connector with protective circuit for a 2-wire floating signal circuit.  
HART-compatible.

# PT 1X2+F-BE - Surge protection base-element

2856126

<https://www.phoenixcontact.com/in/products/2856126>

## PT 1X2-48DC-ST - Surge protection plug

2803658

<https://www.phoenixcontact.com/in/products/2803658>



Protective plug PT with protective circuit for a 2-wire floating signal circuit.

---

## PT 3-PB-ST - Surge protection plug

2858030

<https://www.phoenixcontact.com/in/products/2858030>



Surge protection plug for the base element, normal mode voltage coarse and fine protection for two floating signal wires in IT, common mode voltage coarse protection to ground.



# PT 1X2+F-BE - Surge protection base-element

2856126

<https://www.phoenixcontact.com/in/products/2856126>



## PT 2-TELE-ST - Surge protection plug

2838733

<https://www.phoenixcontact.com/in/products/2838733>



Surge protection plug for base element, for protecting a double conductor of analog telecommunication interfaces.

---

## SSA 3-6 - Shield connection

2839295

<https://www.phoenixcontact.com/in/products/2839295>



Shield fast connection for 3 ... 6 mm cable diameter. Potential connecting cable: 200 mm, 1 mm<sup>2</sup>, color: black

# PT 1X2+F-BE - Surge protection base-element



2856126

<https://www.phoenixcontact.com/in/products/2856126>

## SSA 5-10 - Shield connection

2839512

<https://www.phoenixcontact.com/in/products/2839512>

Shield fast connection for 5 ... 10 mm cable diameter. Potential connecting cable:  
200 mm, 1 mm<sup>2</sup>, color: black



---

Phoenix Contact 2023 © - all rights reserved

<https://www.phoenixcontact.com>

PHOENIX CONTACT (I) Pvt. Ltd.

A-58/2, Okhla Industrial Area, Phase - II, New Delhi-110 020

+91.1275.71420

[info@phoenixcontact.co.in](mailto:info@phoenixcontact.co.in)