

PT 4-BE - Surge protection base-element



2839402

<https://www.phoenixcontact.com/in/products/2839402>

Please be informed that the data shown in this PDF document is generated from our Online Catalog. Please find the complete data in the user documentation. Our General Terms of Use for Downloads are valid.



Base element for protective plug PT with protective circuit for a 4-wire floating signal circuit, bridge between the connections 3-4 (GND) and 9-10, for mounting on NS 35/7.5 and NS 35/15, housing width: 17.5 mm

Your advantages

- Maximum ease of maintenance, thanks to the 2-piece design
- Easy selection for all possible demands in MCR applications with a complete product portfolio
- The signal is not influenced during maintenance work, thanks to the impedance-neutral insertion and removal of protective plugs

Commercial Data

| | |
|--------------------------------------|---------------------|
| Item number | 2839402 |
| Packing unit | 10 pc |
| Minimum order quantity | 1 pc |
| Sales Key | CL2 |
| Product Key | CL2111 |
| Catalog Page | Page 139 (C-4-2019) |
| GTIN | 4017918182816 |
| Weight per Piece (including packing) | 56.5 g |
| Weight per Piece (excluding packing) | 55.85 g |
| Customs tariff number | 85363010 |
| Country of origin | DE |

PT 4-BE - Surge protection base-element

2839402

<https://www.phoenixcontact.com/in/products/2839402>

Technical Data

Notes

| | |
|---------|---|
| General | When the PT...-BE base elements are used, the connections 9/10 (GND) are directly connected to the DIN rail via the metal mounting foot. |
|---------|---|

Product properties

| | |
|-----------------------|---------------------------------|
| Type | Base element, DIN rail mounting |
| Product type | Base element |
| Product family | PLUGTRAB PT |
| Number of positions | 4 |
| Wire pairs per module | 2 |

Insulation characteristics

| | |
|----------------------|-----|
| Overvoltage category | III |
| Pollution degree | 2 |

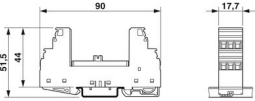
Electrical properties

| | |
|-----------------------|----------|
| Nominal voltage U_N | 110 V AC |
|-----------------------|----------|

Connection data

| | |
|----------------------------------|---|
| Connection method | Screw connection |
| Screw thread | M3 |
| Tightening torque | 0.5 Nm |
| Conductor cross section flexible | 0.2 mm ² ... 2.5 mm ² |
| Conductor cross section rigid | 0.2 mm ² ... 4 mm ² |
| Conductor cross section AWG | 24 ... 12 |

Dimensions

| | |
|---------------------|--|
| Dimensional drawing |  |
| Width | 17.7 mm |
| Height | 90 mm |
| Depth | 51.5 mm (incl. DIN rail 7.5 mm) |
| Horizontal pitch | 1 Div. |

Material specifications

| | |
|--|--------------------|
| Color | jet black RAL 9005 |
| Flammability rating according to UL 94 | V-0 |
| Housing material | PA 6.6 |

Mechanical properties

PT 4-BE - Surge protection base-element



2839402

<https://www.phoenixcontact.com/in/products/2839402>

Mechanical data

| | |
|-----------------|----|
| Open side panel | No |
|-----------------|----|

Protective circuit

| | |
|----------------------------------|-------------------------------|
| Maximum continuous voltage U_C | 60 V DC |
| | 120 V AC |
| Rated current | 150 mA DC (80 °C / 60 V) |
| | 500 mA DC (80 °C / 40 V) |
| | 2 A AC (80 °C) |
| | 1.6 A DC (with PT 2X2-FF-ST) |
| Resistance per path | 0 Ω |
| Surge protection fault message | none |
| Max. required back-up fuse | 160 mA DC (T / 60 V) |
| | 500 mA DC (T / 40 V) |
| | 2 A AC (T) |
| | 1.6 A (FF, with PT 2X2-FF-ST) |

Environmental and real-life conditions

Ambient conditions

| | |
|---|---|
| Degree of protection | IP20 |
| Ambient temperature (operation) | -40 °C ... 85 °C |
| Ambient temperature (storage/transport) | -40 °C ... 85 °C |
| Altitude | \leq 2000 m (amsl (above mean sea level)) |

Standards and regulations

| | |
|--------------------------|--------------|
| Standards/specifications | IEC 61643-21 |
| Standards/specifications | EN 61643-21 |

Mounting

| | |
|---------------|-----------------|
| Mounting type | DIN rail: 35 mm |
|---------------|-----------------|

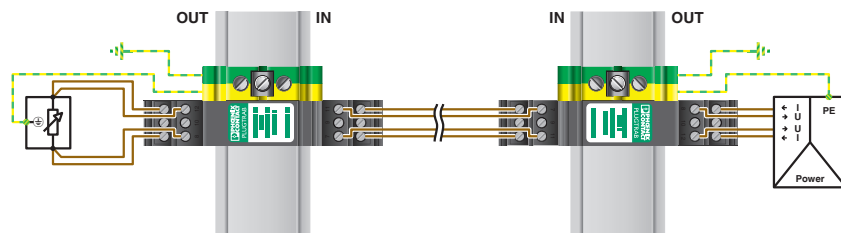
PT 4-BE - Surge protection base-element

2839402

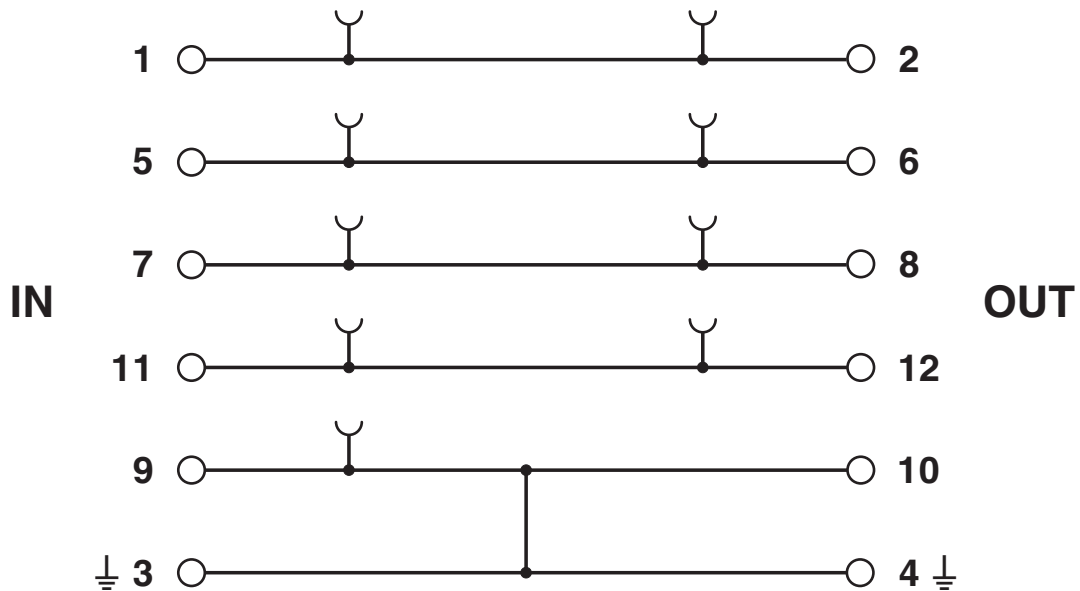
<https://www.phoenixcontact.com/in/products/2839402>

Drawings

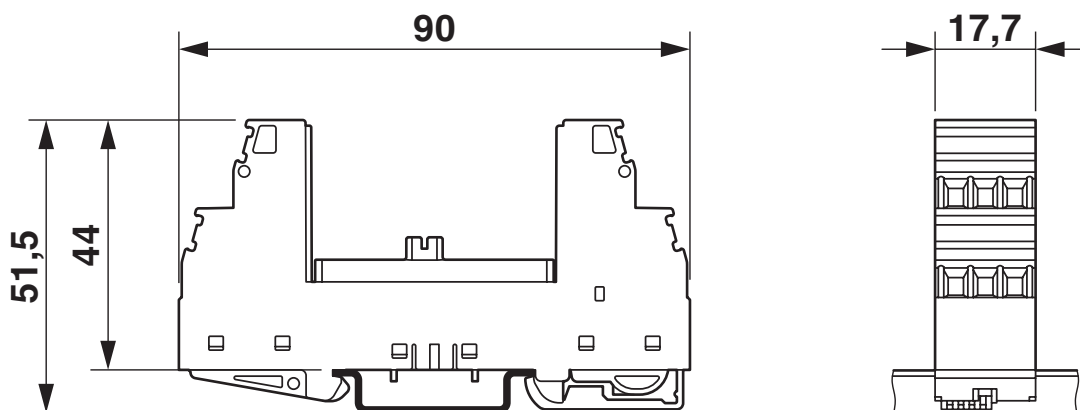
Application drawing



Circuit diagram



Dimensional drawing



PT 4-BE - Surge protection base-element



2839402

<https://www.phoenixcontact.com/in/products/2839402>

Approvals



EAC

Approval ID: EAC-Zulassung



DNV GL

Approval ID: TAE00001N6



LR

Approval ID: LR2371832TA



RS

Approval ID: 22.44.01.00083.250



EAC

Approval ID: RU C-DE.*09.B.00169



UL Listed

Approval ID: FILE E 138168



CCC

Approval ID: 2020322316000832



cUL Listed

Approval ID: FILE E 333250



UL Listed

Approval ID: FILE E 333250



NEPSI

Approval ID: GYJ20.1179X

PT 4-BE - Surge protection base-element



2839402

<https://www.phoenixcontact.com/in/products/2839402>

Classifications

ECLASS

ECLASS-11.0

27130803

ETIM

ETIM 8.0

EC000472

UNSPSC

UNSPSC 21.0

39121600

PT 4-BE - Surge protection base-element



2839402

<https://www.phoenixcontact.com/in/products/2839402>

Environmental Product Compliance

| | |
|------------|---|
| China RoHS | Environmentally friendly use period: unlimited = EFUP-e |
| | No hazardous substances above threshold values |

PT 4-BE - Surge protection base-element

2839402

<https://www.phoenixcontact.com/in/products/2839402>

Accessories

SSA 5-10 - Shield connection

2839512

<https://www.phoenixcontact.com/in/products/2839512>



Shield fast connection for 5 ... 10 mm cable diameter. Potential connecting cable:
200 mm, 1 mm², color: black

SSA 3-6 - Shield connection

2839295

<https://www.phoenixcontact.com/in/products/2839295>



Shield fast connection for 3 ... 6 mm cable diameter. Potential connecting cable:
200 mm, 1 mm², color: black

PT 4-BE - Surge protection base-element

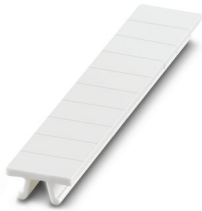
2839402

<https://www.phoenixcontact.com/in/products/2839402>

ZB 5 :UNBEDRUCKT - Zack marker strip

1050004

<https://www.phoenixcontact.com/in/products/1050004>



Zack marker strip, Strip, white, unlabeled, can be labeled with: PLOTMARK, CMS-P1-PLOTTER, mounting type: snapped, for terminal block width: 5.2 mm, lettering field size: 5.1 x 10.5 mm, Number of individual labels: 10

ZBF 5:UNBEDRUCKT - Zack Marker strip, flat

0808642

<https://www.phoenixcontact.com/in/products/0808642>



Zack Marker strip, flat, Strip, white, unlabeled, can be labeled with: PLOTMARK, CMS-P1-PLOTTER, mounting type: snapped, for terminal block width: 5 mm, lettering field size: 5.1 x 5.2 mm, Number of individual labels: 10

PT 4-BE - Surge protection base-element

2839402

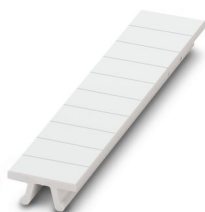
<https://www.phoenixcontact.com/in/products/2839402>



ZB 5,8:UNBEDRUCKT - Zack marker strip

2715209

<https://www.phoenixcontact.com/in/products/2715209>



Zack marker strip, Strip, white, unlabeled, can be labeled with: PLOTMARK, CMS-P1-PLOTTER, mounting type: snapped, for terminal block width: 5.8 mm, lettering field size: 5.75 x 10.5 mm, Number of individual labels: 10

X-PEN 0,35 - Marker pen

0811228

<https://www.phoenixcontact.com/in/products/0811228>



Marker pen without ink cartridge, for manual labeling of markers, labeling extremely wipe-proof, line thickness 0.35 mm

PT 4-BE - Surge protection base-element

2839402

<https://www.phoenixcontact.com/in/products/2839402>



B-STIFT - Marker pen

1051993

<https://www.phoenixcontact.com/in/products/1051993>



Marker pen, for manual labeling of unprinted Zack strips, smear-proof and waterproof, line thickness 0.5 mm

PT 4- 5DC-ST - Surge protection plug

2839211

<https://www.phoenixcontact.com/in/products/2839211>



Protective plug PT with protective circuit for a 4-core floating signal circuit.
Nominal voltage: 5 V DC

PT 4-BE - Surge protection base-element

2839402

<https://www.phoenixcontact.com/in/products/2839402>

PT 4-12DC-ST - Surge protection plug

2839237

<https://www.phoenixcontact.com/in/products/2839237>



Protective plug PT with protective circuit for a 4-core floating signal circuit.
Nominal voltage: 12 V DC

PT 4-24DC-ST - Surge protection plug

2839240

<https://www.phoenixcontact.com/in/products/2839240>



Protective plug PT with protective circuit for a 4-core floating signal circuit.
Nominal voltage: 24 V DC

PT 4-BE - Surge protection base-element

2839402

<https://www.phoenixcontact.com/in/products/2839402>



PT 4-F-ST - Surge protection plug

2858441

<https://www.phoenixcontact.com/in/products/2858441>



Surge protection plug for the base element, coarse protection for four signal lines grounded on one side.

Phoenix Contact 2023 © - all rights reserved

<https://www.phoenixcontact.com>

PHOENIX CONTACT (I) Pvt. Ltd.

A-58/2, Okhla Industrial Area, Phase - II, New Delhi-110 020

+91.1275.71420

info@phoenixcontact.co.in