

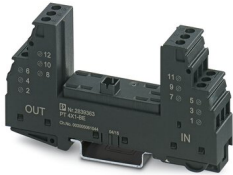
PT 4X1-BE - Surge protection base-element



2839363

<https://www.phoenixcontact.com/in/products/2839363>

Please be informed that the data shown in this PDF document is generated from our Online Catalog. Please find the complete data in the user documentation. Our General Terms of Use for Downloads are valid.



Base element for protective plug PT with protective circuit for 4 conductors of signal circuits grounded on one side, with bridge between the connections 3-4 (GND) and 9-10, for mounting on NS 35/7.5 and NS 35/15, housing width: 17.5 mm

Your advantages

- Maximum ease of maintenance, thanks to the 2-piece design
- Easy selection for all possible demands in MCR applications with a complete product portfolio
- The signal is not influenced during maintenance work, thanks to the impedance-neutral insertion and removal of protective plugs

Commercial Data

Item number	2839363
Packing unit	10 pc
Minimum order quantity	1 pc
Sales Key	CL2
Product Key	CL2111
Catalog Page	Page 135 (C-4-2019)
GTIN	4017918182793
Weight per Piece (including packing)	57.84 g
Weight per Piece (excluding packing)	50.209 g
Customs tariff number	85363010
Country of origin	DE

PT 4X1-BE - Surge protection base-element

2839363

<https://www.phoenixcontact.com/in/products/2839363>

Technical Data

Notes

General	When the PT...-BE base elements are used, the connections 9/10 (GND) are directly connected to the DIN rail via the metal mounting foot.
---------	---

Product properties

Type	Base element, DIN rail mounting
Product type	Base element
Product family	PLUGTRAB PT
Number of positions	4
Surge protection fault message	none

Insulation characteristics

Overvoltage category	III
Pollution degree	2

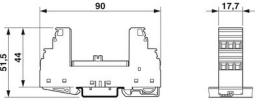
Electrical properties

Nominal voltage U_N	48 V AC
-----------------------	---------

Connection data

Connection method	Screw connection
Screw thread	M3
Tightening torque	0.5 Nm
Conductor cross section flexible	0.2 mm ² ... 2.5 mm ²
Conductor cross section rigid	0.2 mm ² ... 4 mm ²
Conductor cross section AWG	24 ... 12

Dimensions

Dimensional drawing	
Width	17.7 mm
Height	90 mm
Depth	51.5 mm (incl. DIN rail 7.5 mm)
Horizontal pitch	1 Div.

Material specifications

Color	jet black RAL 9005
Flammability rating according to UL 94	V-0
Housing material	PA 6.6

Mechanical properties

PT 4X1-BE - Surge protection base-element



2839363

<https://www.phoenixcontact.com/in/products/2839363>

Mechanical data

Open side panel	No
-----------------	----

Protective circuit

Maximum continuous voltage U_C	77 V DC
	55 V AC
Rated current	300 mA (45 °C)
Resistance per path	4.7 Ω \pm 10 %
Max. required back-up fuse	315 mA (T)

Environmental and real-life conditions

Ambient conditions

Degree of protection	IP20
Ambient temperature (operation)	-40 °C ... 85 °C
Ambient temperature (storage/transport)	-40 °C ... 85 °C
Altitude	\leq 2000 m (amsl (above mean sea level))

Standards and regulations

Standards/specifications	IEC 61643-21
Standards/specifications	EN 61643-21

Mounting

Mounting type	DIN rail: 35 mm
---------------	-----------------

PT 4X1-BE - Surge protection base-element

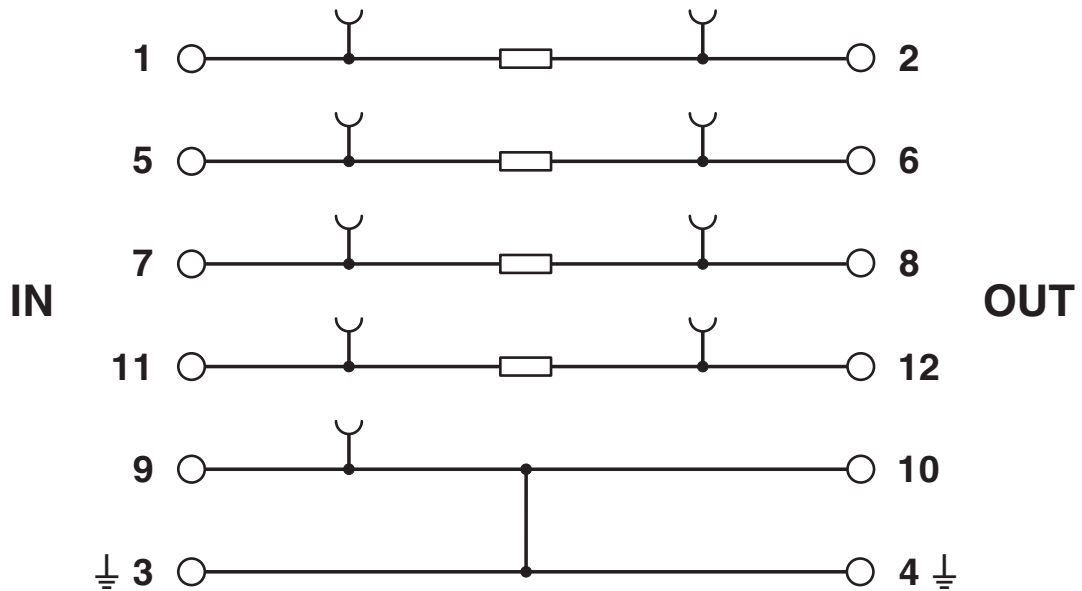


2839363

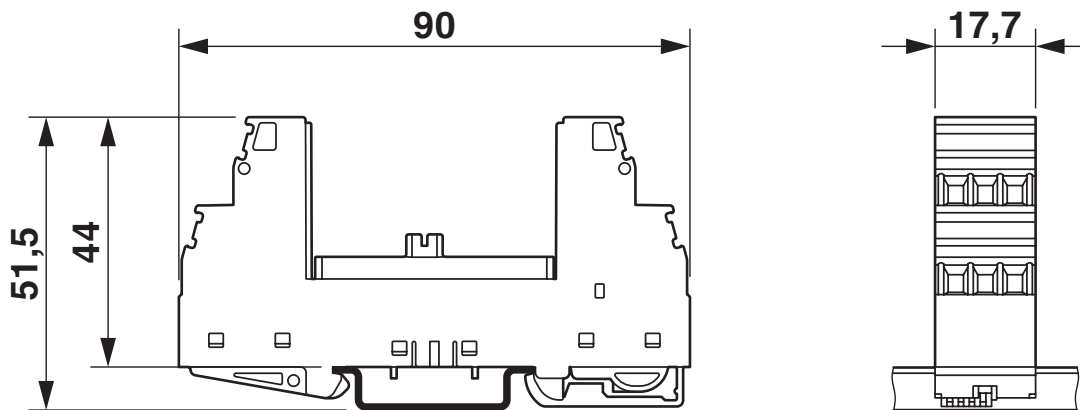
<https://www.phoenixcontact.com/in/products/2839363>

Drawings

Circuit diagram



Dimensional drawing



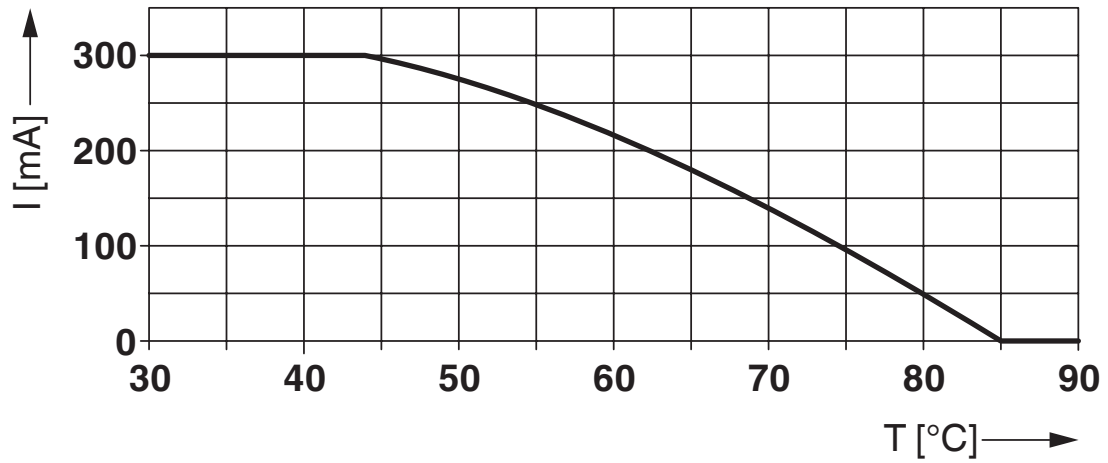
PT 4X1-BE - Surge protection base-element



2839363

<https://www.phoenixcontact.com/in/products/2839363>

Diagram



PT 4X1-BE - Surge protection base-element



2839363

<https://www.phoenixcontact.com/in/products/2839363>

Approvals



EAC

Approval ID: EAC-Zulassung



DNV GL

Approval ID: TAE00001N6



EAC

Approval ID: RU C-DE. *09.B.00169



UL Listed

Approval ID: FILE E 138168



cUL Listed

Approval ID: FILE E 333250



UL Listed

Approval ID: FILE E 333250

PT 4X1-BE - Surge protection base-element



2839363

<https://www.phoenixcontact.com/in/products/2839363>

Classifications

ECLASS

ECLASS-11.0

27130803

ETIM

ETIM 8.0

EC000472

UNSPSC

UNSPSC 21.0

39121600

PT 4X1-BE - Surge protection base-element



2839363

<https://www.phoenixcontact.com/in/products/2839363>

Environmental Product Compliance

China RoHS	Environmentally friendly use period: unlimited = EFUP-e
	No hazardous substances above threshold values

PT 4X1-BE - Surge protection base-element



2839363

<https://www.phoenixcontact.com/in/products/2839363>

Accessories

SSA 5-10 - Shield connection

2839512

<https://www.phoenixcontact.com/in/products/2839512>



Shield fast connection for 5 ... 10 mm cable diameter. Potential connecting cable:
200 mm, 1 mm², color: black

SSA 3-6 - Shield connection

2839295

<https://www.phoenixcontact.com/in/products/2839295>



Shield fast connection for 3 ... 6 mm cable diameter. Potential connecting cable:
200 mm, 1 mm², color: black

PT 4X1-BE - Surge protection base-element

2839363

<https://www.phoenixcontact.com/in/products/2839363>

ZB 5 :UNBEDRUCKT - Zack marker strip

1050004

<https://www.phoenixcontact.com/in/products/1050004>



Zack marker strip, Strip, white, unlabeled, can be labeled with: PLOTMARK, CMS-P1-PLOTTER, mounting type: snapped, for terminal block width: 5.2 mm, lettering field size: 5.1 x 10.5 mm, Number of individual labels: 10

ZBF 5:UNBEDRUCKT - Zack Marker strip, flat

0808642

<https://www.phoenixcontact.com/in/products/0808642>



Zack Marker strip, flat, Strip, white, unlabeled, can be labeled with: PLOTMARK, CMS-P1-PLOTTER, mounting type: snapped, for terminal block width: 5 mm, lettering field size: 5.1 x 5.2 mm, Number of individual labels: 10

PT 4X1-BE - Surge protection base-element

2839363

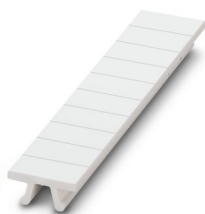
<https://www.phoenixcontact.com/in/products/2839363>



ZB 5,8:UNBEDRUCKT - Zack marker strip

2715209

<https://www.phoenixcontact.com/in/products/2715209>



Zack marker strip, Strip, white, unlabeled, can be labeled with: PLOTMARK, CMS-P1-PLOTTER, mounting type: snapped, for terminal block width: 5.8 mm, lettering field size: 5.75 x 10.5 mm, Number of individual labels: 10

X-PEN 0,35 - Marker pen

0811228

<https://www.phoenixcontact.com/in/products/0811228>



Marker pen without ink cartridge, for manual labeling of markers, labeling extremely wipe-proof, line thickness 0.35 mm

PT 4X1-BE - Surge protection base-element

2839363

<https://www.phoenixcontact.com/in/products/2839363>



B-STIFT - Marker pen

1051993

<https://www.phoenixcontact.com/in/products/1051993>



Marker pen, for manual labeling of unprinted Zack strips, smear-proof and waterproof, line thickness 0.5 mm

PT 4X1- 5DC-ST - Surge protection plug

2838306

<https://www.phoenixcontact.com/in/products/2838306>



Protective plug PT with protective circuit for 4 conductors of signal circuits grounded on one side. Nominal voltage: 5 V DC

PT 4X1-BE - Surge protection base-element

2839363

<https://www.phoenixcontact.com/in/products/2839363>



PT 4X1-12AC-ST - Surge protection plug

2838348

<https://www.phoenixcontact.com/in/products/2838348>



Protective plug PT with protective circuit for 4 conductors of signal circuits grounded on one side. Nominal voltage: 12 V AC

PT 4X1-12DC-ST - Surge protection plug

2838319

<https://www.phoenixcontact.com/in/products/2838319>



Protective plug PT with protective circuit for 4 conductors of signal circuits grounded on one side. Nominal voltage: 12 V DC

PT 4X1-BE - Surge protection base-element

2839363

<https://www.phoenixcontact.com/in/products/2839363>



PT 4X1-24AC-ST - Surge protection plug

2838351

<https://www.phoenixcontact.com/in/products/2838351>



Protective plug PT with protective circuit for 4 conductors of signal circuits grounded on one side. Nominal voltage: 24 V AC

PT 4X1-24DC-ST - Surge protection plug

2838322

<https://www.phoenixcontact.com/in/products/2838322>



Protective plug PT with protective circuit for 4 conductors of signal circuits grounded on one side. Nominal voltage: 24 V DC

PT 4X1-BE - Surge protection base-element

2839363

<https://www.phoenixcontact.com/in/products/2839363>



PT 4X1-48DC-ST - Surge protection plug

2858014

<https://www.phoenixcontact.com/in/products/2858014>



Surge protection plug for the base element, common mode voltage coarse and fine protection for four lines with a common reference potential. Design: 48 V DC

Phoenix Contact 2023 © - all rights reserved

<https://www.phoenixcontact.com>

PHOENIX CONTACT (I) Pvt. Ltd.

A-58/2, Okhla Industrial Area, Phase - II, New Delhi-110 020

+91.1275.71420

info@phoenixcontact.co.in