

VAL-MS 320 ST - Type 2 surge protection plug



2838843

<https://www.phoenixcontact.com/in/products/2838843>

Please be informed that the data shown in this PDF document is generated from our Online Catalog. Please find the complete data in the user documentation. Our General Terms of Use for Downloads are valid.



Surge protection connector type 2 with high-capacity varistor for VAL-MS base element, thermal monitoring, visual fault warning. Design: 320 V AC

Your advantages

- Quality proven millions of times over in the widest range of applications
- Rapid installation with bridges, thanks to industry-standard overall width of 1 HP
- Easy testing and insulation measurement, thanks to pluggable protection modules
- Wide range of applications due to various nominal voltages
- High degree of modularity provides individual solutions for every application

Commercial Data

Item number	2838843
Packing unit	10 pc
Minimum order quantity	1 pc
Sales Key	CL1
Product Key	CL1321
Catalog Page	Page 68 (C-4-2019)
GTIN	4017918170813
Weight per Piece (including packing)	45.69 g
Weight per Piece (excluding packing)	43.86 g
Customs tariff number	85363030
Country of origin	IN

VAL-MS 320 ST - Type 2 surge protection plug

2838843

<https://www.phoenixcontact.com/in/products/2838843>

Technical Data

Notes

General	Use in DC applications on request
---------	-----------------------------------

Product properties

IEC test classification	II
	T2
EN type	T2
IEC power supply system	TN
	TT
Type	DIN rail module, two-section, divisible
Product type	Replacement plug
Product family	VALVETRAB MS
Number of positions	1
Surge protection fault message	optical
Arrester can be tested with CHECKMASTER from software version:	From SW rev. 1.10

Insulation characteristics

Overvoltage category	III
Pollution degree	2

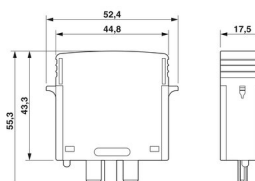
Electrical properties

Nominal frequency f_N	50 Hz (60 Hz)
-------------------------	---------------

Connection data

Connection method	pluggable
-------------------	-----------

Dimensions

Dimensional drawing	
Width	17.5 mm
Height	52.4 mm
Depth	55.3 mm
Horizontal pitch	1 Div.

Material specifications

Color	jet black RAL 9005
Flammability rating according to UL 94	V-0

VAL-MS 320 ST - Type 2 surge protection plug



2838843

<https://www.phoenixcontact.com/in/products/2838843>

CTI value of material	600
Insulating material	PA 6.6
Material group	I
Housing material	PA 6.6

Protective circuit

Mode of protection	L-N
	L-PEN
Direction of action	1L-N/PE
Nominal voltage U_N	240/415 V AC (TN)
	240/415 V AC (TT)
Nominal frequency f_N	50 Hz (60 Hz)
Maximum continuous voltage U_C	335 V AC
Residual current I_{PE}	≤ 0.45 mA
Standby power consumption P_C	≤ 150 mVA
Nominal discharge current I_n (8/20) μ s	20 kA
Maximum discharge current I_{max} (8/20) μ s	40 kA
Short-circuit current rating I_{SCCR}	25 kA
Voltage protection level U_p	≤ 1.5 kV
Residual voltage U_{res}	≤ 1.5 kV (at I_n)
	≤ 1.3 kV (at 10 kA)
	≤ 1.2 kV (at 5 kA)
	≤ 1.1 kV (at 3 kA)
TOV behavior at U_T	415 V AC (5 s / withstand mode)
	440 V AC (120 min / safe failure mode)
Response time t_A	≤ 25 ns
Max. backup fuse with branch wiring	125 A (gG)

Environmental and real-life conditions

Ambient conditions

Degree of protection	IP20
Ambient temperature (operation)	-40 °C ... 80 °C
Ambient temperature (storage/transport)	-40 °C ... 80 °C
Altitude	≤ 2000 m (amsl (above mean sea level))
Permissible humidity (operation)	5 % ... 95 %
Shock (operation)	25g (Half-sine / 11 ms / 3x \pm X, \pm Y, \pm Z)
Vibration (operation)	5g (10 ... 500 Hz / 2.5 h / X, Y, Z)

Approvals

UL specifications

Maximum continuous operating voltage MCOV (L-N)	320 V AC
Nominal discharge current I_n (L-N)	20 kA
Mode of protection	L-N

VAL-MS 320 ST - Type 2 surge protection plug



2838843

<https://www.phoenixcontact.com/in/products/2838843>

Nominal voltage	320 V AC
Power distribution system	Single phase
Nominal frequency	50/60 Hz
Measured limiting voltage MLV (L-N)	2030 V
SPD Type	4CA

Standards and regulations

Standards/specifications	IEC 61643-11
Standards/specifications	EN 61643-11

Mounting

Mounting type	on base element
---------------	-----------------

VAL-MS 320 ST - Type 2 surge protection plug

2838843

<https://www.phoenixcontact.com/in/products/2838843>

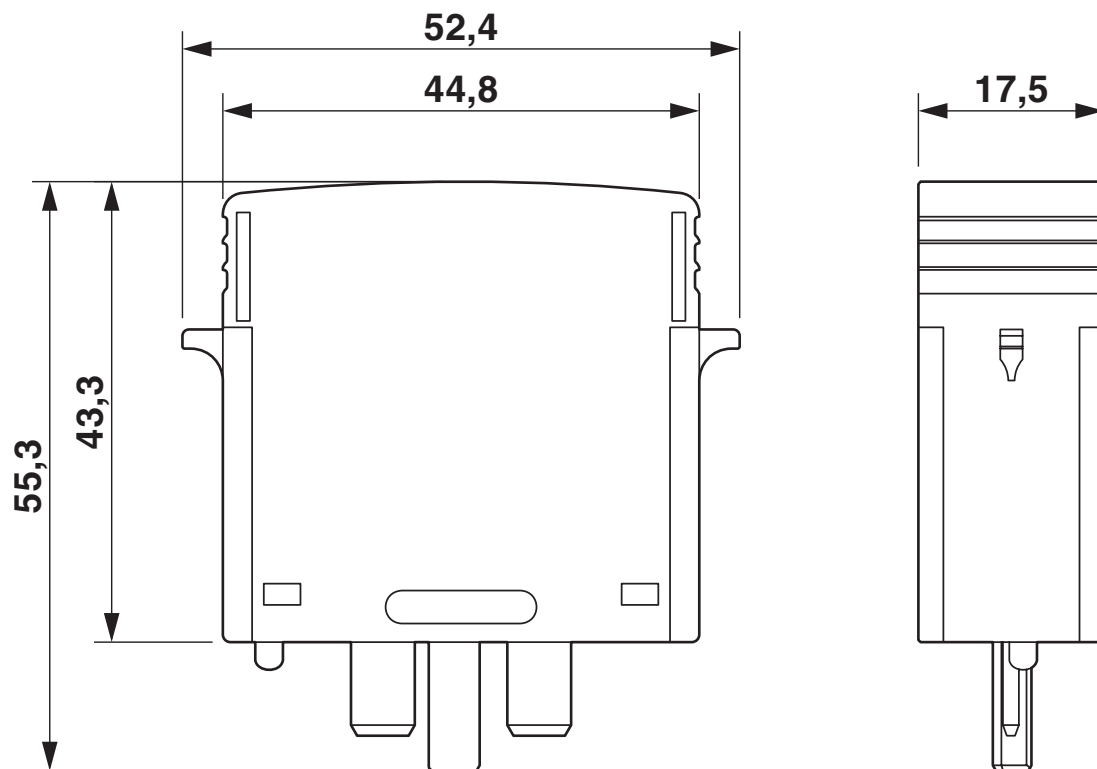


Drawings

Circuit diagram



Dimensional drawing



VAL-MS 320 ST - Type 2 surge protection plug



2838843

<https://www.phoenixcontact.com/in/products/2838843>

Approvals



cUL Recognized
Approval ID: FILE E 330181



UL Recognized
Approval ID: FILE E 330181



IECEE CB Scheme
Approval ID: AT 2905/M1



EAC
Approval ID: EAC-Zulassung



KEMA-KEUR
Approval ID: 71-113273 REV.1



DNV GL
Approval ID: TAE000041M



EAC
Approval ID: RU C-DE.*09.B.00169



CSA
Approval ID: 13631



ÖVE
Approval ID: 18583-001-16



ÖVE
Approval ID: 18583-001-17

VAL-MS 320 ST - Type 2 surge protection plug



2838843

<https://www.phoenixcontact.com/in/products/2838843>

Classifications

ECLASS

ECLASS-11.0

27130890

ETIM

ETIM 8.0

EC002496

UNSPSC

UNSPSC 21.0

39121600

VAL-MS 320 ST - Type 2 surge protection plug



2838843

<https://www.phoenixcontact.com/in/products/2838843>

Environmental Product Compliance

China RoHS	Environmentally friendly use period: unlimited = EFUP-e No hazardous substances above threshold values
------------	---

VAL-MS 320 ST - Type 2 surge protection plug

2838843

<https://www.phoenixcontact.com/in/products/2838843>



Accessories

MPB 18/1-10/1.0.0 - Wiring bridge

2830443

<https://www.phoenixcontact.com/in/products/2830443>



Wiring bridge for modules with connecting pitch 17.5 mm, 1-phase, 10 pitches with contact sequence 1-0-0

MPB 18/4- 8 - Wiring bridge

2809283

<https://www.phoenixcontact.com/in/products/2809283>



Wiring bridge for modules with connecting pitch 17.5 mm, 4-phase, 8-pos.

VAL-MS 320 ST - Type 2 surge protection plug

2838843

<https://www.phoenixcontact.com/in/products/2838843>

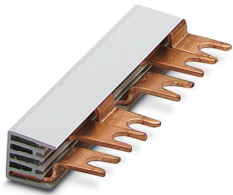


MPB 18/3- 6 - Wiring bridge

2809241

<https://www.phoenixcontact.com/in/products/2809241>

Wiring bridge for modules with connecting pitch 17.5 mm, 3-phase, 6-pos.



MPB 18/1-57 - Wiring bridge

2809238

<https://www.phoenixcontact.com/in/products/2809238>

Wiring bridge for modules with connecting pitch 17.5 mm, 1-phase, 57-pos.



VAL-MS 320 ST - Type 2 surge protection plug

2838843

<https://www.phoenixcontact.com/in/products/2838843>



MPB 18/1-12 - Wiring bridge

2748593

<https://www.phoenixcontact.com/in/products/2748593>



Wiring bridge for modules with connecting pitch 17.5 mm, 1-phase, 12-pos.

MPB 18/1- 9 - Wiring bridge

2748580

<https://www.phoenixcontact.com/in/products/2748580>



Wiring bridge for modules with connecting pitch 17.5 mm, 1-phase, 9-pos.

VAL-MS 320 ST - Type 2 surge protection plug

2838843

<https://www.phoenixcontact.com/in/products/2838843>

MPB 18/1- 8 - Wiring bridge

2748577

<https://www.phoenixcontact.com/in/products/2748577>



Wiring bridge for modules with connecting pitch 17.5 mm, 1-phase, 8-pos.

MPB 18/1- 6 - Wiring bridge

2748564

<https://www.phoenixcontact.com/in/products/2748564>



Wiring bridge for modules with connecting pitch 17.5 mm, 1-phase, 6-pos.

VAL-MS 320 ST - Type 2 surge protection plug

2838843

<https://www.phoenixcontact.com/in/products/2838843>

MPB 18/1- 4 - Wiring bridge

2809225

<https://www.phoenixcontact.com/in/products/2809225>

Wiring bridge for modules with connecting pitch 17.5 mm, 1-phase, 4-pos.



MPB 18/1- 3 - Wiring bridge

2809212

<https://www.phoenixcontact.com/in/products/2809212>

Wiring bridge for modules with connecting pitch 17.5 mm, 1-phase, 3-pos.



VAL-MS 320 ST - Type 2 surge protection plug

2838843

<https://www.phoenixcontact.com/in/products/2838843>



MPB 18/1- 2 - Wiring bridge

2809209

<https://www.phoenixcontact.com/in/products/2809209>

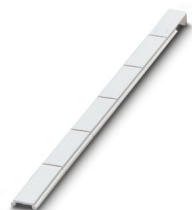


Wiring bridge for modules with connecting pitch 17.5 mm, 1-phase, 2-pos.

ZBN 18:UNBEDRUCKT - Zack marker strip

2809128

<https://www.phoenixcontact.com/in/products/2809128>



Zack marker strip, Strip, white, unlabeled, can be labeled with: CMS-P1-PLOTTER, PLOTMARK, mounting type: snapped, for terminal block width: 18 mm, lettering field size: 18 x 5 mm, Number of individual labels: 5

VAL-MS 320 ST - Type 2 surge protection plug

2838843

<https://www.phoenixcontact.com/in/products/2838843>

ZBN 18,LGS:ERDE - Marker for terminal blocks

2749589

<https://www.phoenixcontact.com/in/products/2749589>

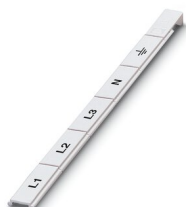


Marker for terminal blocks, Strip, white, labeled, horizontal: Grounding symbol, mounting type: snapped, for terminal block width: 18 mm, lettering field size: 18 x 5 mm, Number of individual labels: 5

ZBN 18,LGS:L1-N,ERDE - Marker for terminal blocks

2749576

<https://www.phoenixcontact.com/in/products/2749576>



Marker for terminal blocks, Strip, white, labeled, horizontal: L1, L2, L3, N, GND, mounting type: snapped, for terminal block width: 18 mm, lettering field size: 18 x 5 mm, Number of individual labels: 5

VAL-MS 320 ST - Type 2 surge protection plug

2838843

<https://www.phoenixcontact.com/in/products/2838843>



B-STIFT - Marker pen

1051993

<https://www.phoenixcontact.com/in/products/1051993>



Marker pen, for manual labeling of unprinted Zack strips, smear-proof and waterproof, line thickness 0.5 mm

VAL-MS BE - Type 2 surge protection base element

2817741

<https://www.phoenixcontact.com/in/products/2817741>



Base element for type 2 arresters of the VALVETRAB MS series of products.
Design: 1-channel

VAL-MS 320 ST - Type 2 surge protection plug

2838843

<https://www.phoenixcontact.com/in/products/2838843>



VAL-MS BE/FM - Type 2 surge protection base element

2817738

<https://www.phoenixcontact.com/in/products/2817738>

Base element for type 2 arresters of the VALVETRAB MS series of products, with remote indication contact. Design: 1-channel



Phoenix Contact 2023 © - all rights reserved

<https://www.phoenixcontact.com>

PHOENIX CONTACT (I) Pvt. Ltd.

A-58/2, Okhla Industrial Area, Phase - II, New Delhi-110 020

+91.1275.71420

info@phoenixcontact.co.in