

# PT 5-HF- 5 DC-ST - Surge protection plug



2838762

<https://www.phoenixcontact.com/in/products/2838762>

Please be informed that the data shown in this PDF document is generated from our Online Catalog. Please find the complete data in the user documentation. Our General Terms of Use for Downloads are valid.

Protective plug PT with HF protective circuit for 4 signal wires. Nominal voltage: 5 V DC



## Your advantages

- Easy testing and documentation with CHECKMASTER 2 with pluggable protective modules
- Maximum ease of maintenance, thanks to the 2-piece design
- Easy selection for all possible demands in MCR applications with a complete product portfolio
- The signal is not influenced during maintenance work, thanks to the impedance-neutral insertion and removal of protective plugs

## Commercial Data

Item number	2838762
Packing unit	10 pc
Minimum order quantity	1 pc
Sales Key	CL3
Product Key	CL3121
Catalog Page	Page 173 (C-4-2019)
GTIN	4017918480653
Weight per Piece (including packing)	26.605 g
Weight per Piece (excluding packing)	25.26 g
Customs tariff number	85363010
Country of origin	DE

# PT 5-HF- 5 DC-ST - Surge protection plug

2838762

<https://www.phoenixcontact.com/in/products/2838762>

## Technical Data

### Product properties

IEC test classification	C1
	C2
	C3
	D1
VDE requirement class	C1
	C2
	C3
	D1
Type	Male
Product type	Surge protection for information technology
Product family	PLUGTRAB PT
Number of positions	5
Surge protection fault message	none
Arrester can be tested with CHECKMASTER from software version:	From SW rev. 1.00
Wire pairs per module	2

### Insulation characteristics

Overvoltage category	III
Pollution degree	2

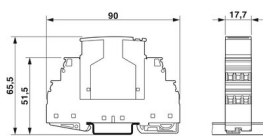
### Electrical properties

Nominal voltage $U_N$	5 V DC
-----------------------	--------

### Connection data

Connection method	Screw connection (in connection with the base element)
Screw thread	M3
Tightening torque	0.8 Nm
Conductor cross section flexible	0.2 mm <sup>2</sup> ... 2.5 mm <sup>2</sup>
Conductor cross section rigid	0.2 mm <sup>2</sup> ... 4 mm <sup>2</sup>
Conductor cross section AWG	24 ... 12

### Dimensions

Dimensional drawing	
Width	17.7 mm
Height	45 mm
Depth	52 mm

# PT 5-HF- 5 DC-ST - Surge protection plug



2838762

<https://www.phoenixcontact.com/in/products/2838762>

Horizontal pitch	1 Div.
Complete module width	17.7 mm
Complete module height	90 mm
Complete module depth	65.5 mm

## Material specifications

Color	black
Flammability rating according to UL 94	V-0
Housing material	PA

## Mechanical properties

### Mechanical data

Open side panel	No
-----------------	----

## Protective circuit

Direction of action	Line-Line & Line-Signal Ground/Shield & optional Signal Ground/Shield-Earth Ground
Maximum continuous voltage $U_C$	5.2 V DC
	3.6 V AC
Rated current	450 mA (45 °C)
Operating effective current $I_C$ at $U_C$	$\leq 300 \mu\text{A}$
Residual current $I_{PE}$	$\leq 300 \mu\text{A}$ (with PT 2X2-BE)
	$\leq 1 \mu\text{A}$ (with PT 2X2+F-BE)
Nominal discharge current $I_n$ (8/20) $\mu\text{s}$ (line-line)	10 kA
Nominal discharge surge current $I_n$ (8/20) $\mu\text{s}$ (Core-Earth)	10 kA
Pulse discharge current $I_{imp}$ (10/350) $\mu\text{s}$	2.5 kA
Total discharge current $I_{total}$ (8/20) $\mu\text{s}$	20 kA
Max. discharge current $I_{max}$ (8/20) $\mu\text{s}$ maximum (line-line)	10 kA
Max. discharge current $I_{max}$ (8/20) $\mu\text{s}$ maximum (line-earth)	10 kA
Nominal pulse current $I_{an}$ (10/1000) $\mu\text{s}$ (line-line)	90 A
Output voltage limitation at 1 kV/ $\mu\text{s}$ (line-line) spike	$\leq 55 \text{ V}$
Output voltage limitation at 1 kV/ $\mu\text{s}$ (line-earth) spike	$\leq 55 \text{ V}$ (with PT 2X2-BE)
	$\leq 700 \text{ V}$ (with PT 2X2+F-BE)
Output voltage limitation at 1 kV/ $\mu\text{s}$ (line-line) static	$\leq 15 \text{ V}$
Output voltage limitation at 1 kV/ $\mu\text{s}$ (line-earth) static	$\leq 15 \text{ V}$
	$\leq 30 \text{ V}$ (with PT 2X2+F-BE)
Residual voltage at $I_n$ (conductor-conductor)	$\leq 15 \text{ V}$
Residual voltage at $I_n$ (conductor-ground)	$\leq 30 \text{ V}$ (with PT 2X2-BE)
Residual voltage at $I_n$ (line-signalground)	$\leq 15 \text{ V}$ (with PT 2X2-BE)
Residual voltage with $I_{an}$ (10/1000) $\mu\text{s}$ (line-line)	$\leq 15 \text{ V}$
Residual voltage with $I_{an}$ (10/1000) $\mu\text{s}$ (line-signalground)	$\leq 15 \text{ V}$
Voltage protection level $U_p$ (line-line)	$\leq 70 \text{ V}$ (C1 - 1 kV / 500 A)
	$\leq 45 \text{ V}$ (C3 - 25 A)
	$\leq 100 \text{ V}$ (C2 - 10 kV / 5 kA)

# PT 5-HF- 5 DC-ST - Surge protection plug



2838762

<https://www.phoenixcontact.com/in/products/2838762>

	≤ 70 V (6 kV / 3 kA)
Voltage protection level $U_p$ (line-earth)	≤ 80 V (C1 - 1 kV / 500 A)
	≤ 110 V (C2 - 10 kV / 5 kA)
	≤ 100 V (6 kV / 3 kA)
	≤ 45 V (C3 - 25 A)
Voltage protection level $U_p$ (line-signalground)	≤ 45 V (C3 - 25 A)
Response time $t_A$ (line-line)	≤ 500 ns
Response time $t_A$ (line-earth)	≤ 500 ns
Response time $t_A$ (line-signalground)	≤ 500 ns
Input attenuation aE, sym.	typ. 0.3 dB (≤ 5 MHz / 100 Ω)
Cut-off frequency $f_g$ (3 dB), sym. in 100 Ω system	typ. 60 MHz
Capacity (Core-Core)	typ. 30 pF
Resistance per path	2.2 Ω ±10 % (1-2/5-6/7-8/11-12)
Surge protection fault message	none
Max. required back-up fuse	500 mA (T)
Impulse durability (line-line)	C2 - 10 kV / 5 kA
	C3 - 90 A
Impulse durability (line-earth)	C2 - 10 kV / 5 kA
	C3 - 90 A
	D1 - 2.5 kA

## Environmental and real-life conditions

### Ambient conditions

Degree of protection	IP20
Ambient temperature (operation)	-40 °C ... 85 °C
Altitude	max. 2000 m

## Standards and regulations

VDE requirement class	C1
	C2
	C3
	D1

### Air clearances and creepage distances

Standards/regulations	DIN EN 61664-1 / IEC 60664-1
Standards/specifications	EN 61643-21/A1
Standards/specifications	IEC 61643-21/A1

## Mounting

Mounting type	on base element
---------------	-----------------

# PT 5-HF- 5 DC-ST - Surge protection plug

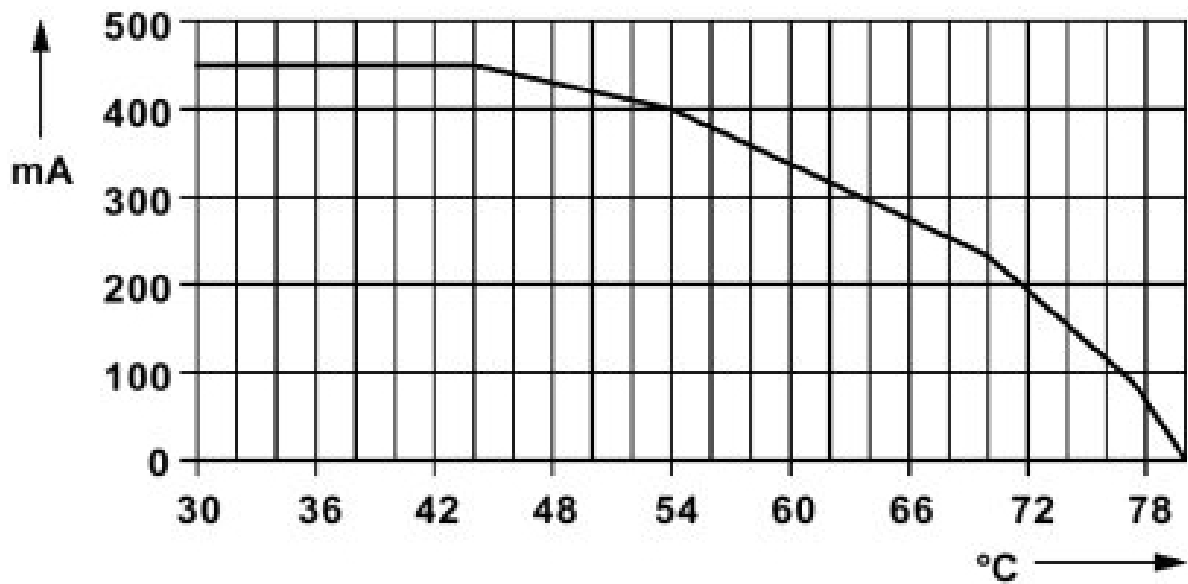


2838762

<https://www.phoenixcontact.com/in/products/2838762>

## Drawings

### Diagram

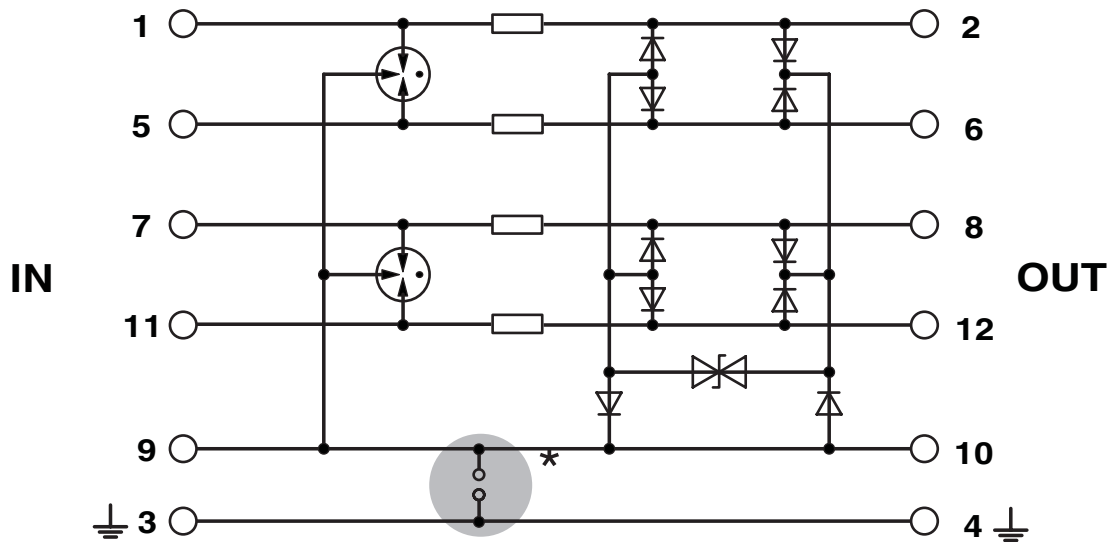


# PT 5-HF- 5 DC-ST - Surge protection plug

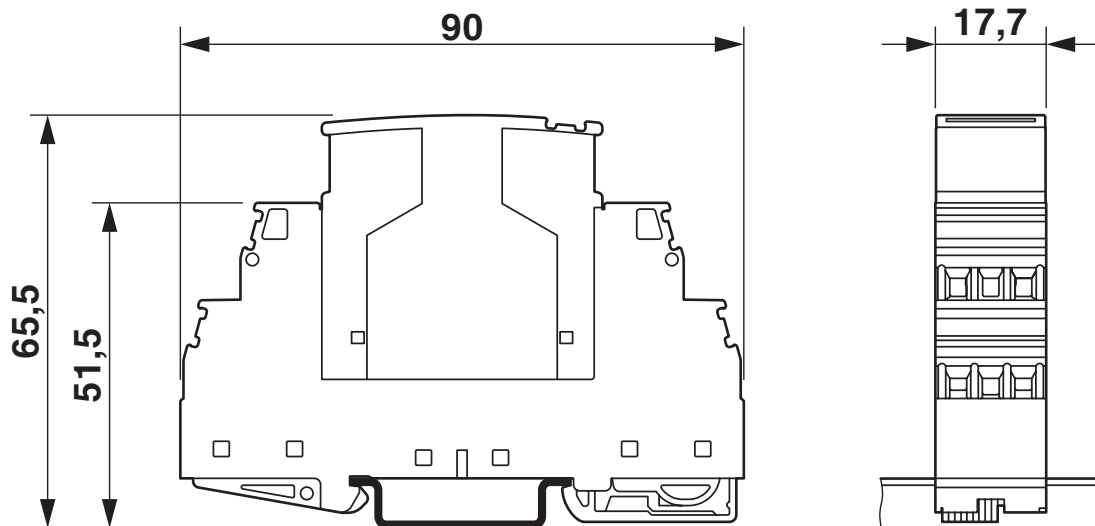
2838762

<https://www.phoenixcontact.com/in/products/2838762>

Circuit diagram



Dimensional drawing



The figure shows the complete module consisting of a base element and connector

# PT 5-HF- 5 DC-ST - Surge protection plug



2838762

<https://www.phoenixcontact.com/in/products/2838762>

## Approvals



**EAC**

Approval ID: EAC-Zulassung



**EAC**

Approval ID: RU C-DE.\*09.B.00169



**UL Listed**

Approval ID: FILE E 138168

Nominal Voltage $U_N$	Nominal Current $I_N$	Cross Section AWG	Cross Section $\text{mm}^2$
5 V	0.45 A	-	-



**cUL Listed**

Approval ID: FILE E 333250



**UL Listed**

Approval ID: FILE E 333250

# PT 5-HF- 5 DC-ST - Surge protection plug



2838762

<https://www.phoenixcontact.com/in/products/2838762>

## Classifications

### ECLASS

ECLASS-11.0

27130807

### ETIM

ETIM 8.0

EC000943

### UNSPSC

UNSPSC 21.0

39121600



# PT 5-HF- 5 DC-ST - Surge protection plug



2838762

<https://www.phoenixcontact.com/in/products/2838762>

## Environmental Product Compliance

REACH SVHC	Lead 7439-92-1
China RoHS	Environmentally Friendly Use Period = 50 years
	For information on hazardous substances, refer to the manufacturer's declaration available under "Downloads"

# PT 5-HF- 5 DC-ST - Surge protection plug



2838762

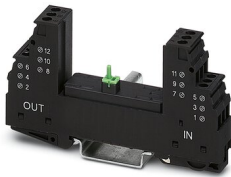
<https://www.phoenixcontact.com/in/products/2838762>

## Mandatory Accessories

### PT 2X2-BE - Surge protection base-element

2839208

<https://www.phoenixcontact.com/in/products/2839208>



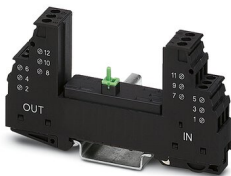
Base element for protective plug PT with protective circuit for two 2-wire floating signal circuit, bridge between the connections 3-4 (GND) and 9-10, for mounting on NS 35/7.5 and NS 35/15, housing width: 17.5 mm

---

### PT 2X2+F-BE - Surge protection base-element

2839224

<https://www.phoenixcontact.com/in/products/2839224>



Base element for protective plug PT with protective circuit for two 2-wire floating signal circuit, gas-filled surge arrester between the connections 3-4 (GND) and 9-10, for mounting on NS 35/7.5 and NS 35/15, housing width: 17.5 mm

---

## Accessories

## PT 5-HF- 5 DC-ST - Surge protection plug

2838762

<https://www.phoenixcontact.com/in/products/2838762>



## X-PEN 0,35 - Marker pen

0811228

<https://www.phoenixcontact.com/in/products/0811228>



Marker pen without ink cartridge, for manual labeling of markers, labeling extremely wipe-proof, line thickness 0.35 mm

---

## ZBF 5:UNBEDRUCKT - Zack Marker strip, flat

0808642

<https://www.phoenixcontact.com/in/products/0808642>



Zack Marker strip, flat, Strip, white, unlabeled, can be labeled with: PLOTMARK, CMS-P1-PLOTTER, mounting type: snapped, for terminal block width: 5 mm, lettering field size: 5.1 x 5.2 mm, Number of individual labels: 10

# PT 5-HF- 5 DC-ST - Surge protection plug

2838762

<https://www.phoenixcontact.com/in/products/2838762>

## ZBF 5/WH-100:UNBEDRUCKT - Zack Marker strip, flat

0808668

<https://www.phoenixcontact.com/in/products/0808668>



Zack Marker strip, flat, Strip, white, unlabeled, can be labeled with: CMS-P1-PLOTTER, PLOTMARK, mounting type: snapped, for terminal block width: 5 mm, lettering field size: 5.15 x 5.15 mm, Number of individual labels: 1000

---

## ZBF 5,LGS:FORTL.ZAHLEN - Zack Marker strip, flat

0808671

<https://www.phoenixcontact.com/in/products/0808671>



Zack Marker strip, flat, Strip, white, labeled, printed horizontally: consecutive numbers 1 ... 10, 11 ... 20, etc. up to 491 ... 500, mounting type: snapped, for terminal block width: 5 mm, lettering field size: 5.15 x 5.15 mm, Number of individual labels: 10

# PT 5-HF- 5 DC-ST - Surge protection plug

2838762

<https://www.phoenixcontact.com/in/products/2838762>

## ZBF 5,LGS:GERADE ZAHLEN - Zack Marker strip, flat

0810821

<https://www.phoenixcontact.com/in/products/0810821>



Zack Marker strip, flat, Strip, white, labeled, printed horizontally: consecutive even numbers 2 ... 20, 22 ... 40, etc. up to 82 ... 100, mounting type: snapped, for terminal block width: 5 mm, lettering field size: 5.15 x 5.15 mm, Number of individual labels: 10

---

## ZBF 5,LGS:UNGERADE ZAHLEN - Zack Marker strip, flat

0810863

<https://www.phoenixcontact.com/in/products/0810863>



Zack Marker strip, flat, Strip, white, labeled, printed horizontally: Odd numbers 1 - 19, 21 - 39, etc. up to 81 - 99, mounting type: snapped, for terminal block width: 5 mm, lettering field size: 5.15 x 5.15 mm, Number of individual labels: 10

# PT 5-HF- 5 DC-ST - Surge protection plug

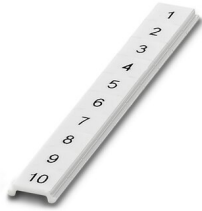
2838762

<https://www.phoenixcontact.com/in/products/2838762>

## ZBF 5,QR:FORTL.ZAHLEN - Zack Marker strip, flat

0808697

<https://www.phoenixcontact.com/in/products/0808697>



Zack Marker strip, flat, Strip, white, labeled, Printed vertically: consecutive numbers 1 ... 10, 11 ... 20, etc. up to 91 ... 100, mounting type: snapped, for terminal block width: 5 mm, lettering field size: 5.15 x 5.15 mm, Number of individual labels: 10

---

## ZBN 18:UNBEDRUCKT - Zack marker strip

2809128

<https://www.phoenixcontact.com/in/products/2809128>



Zack marker strip, Strip, white, unlabeled, can be labeled with: CMS-P1-PLOTTER, PLOTMARK, mounting type: snapped, for terminal block width: 18 mm, lettering field size: 18 x 5 mm, Number of individual labels: 5

# PT 5-HF- 5 DC-ST - Surge protection plug



2838762

<https://www.phoenixcontact.com/in/products/2838762>

## SSA 3-6 - Shield connection

2839295

<https://www.phoenixcontact.com/in/products/2839295>

Shield fast connection for 3 ... 6 mm cable diameter. Potential connecting cable:  
200 mm, 1 mm<sup>2</sup>, color: black



---

## SSA 5-10 - Shield connection

2839512

<https://www.phoenixcontact.com/in/products/2839512>

Shield fast connection for 5 ... 10 mm cable diameter. Potential connecting cable:  
200 mm, 1 mm<sup>2</sup>, color: black



---

Phoenix Contact 2023 © - all rights reserved  
<https://www.phoenixcontact.com>

PHOENIX CONTACT (I) Pvt. Ltd.  
A-58/2, Okhla Industrial Area, Phase - II, New Delhi-110 020

+91.1275.71420  
[info@phoenixcontact.co.in](mailto:info@phoenixcontact.co.in)