

FLT-PLUS CTRL-0.9 - Type 1+2 combined lightning current and surge arrester



2818643

<https://www.phoenixcontact.com/in/products/2818643>

Please be informed that the data shown in this PDF document is generated from our Online Catalog. Please find the complete data in the user documentation. Our General Terms of Use for Downloads are valid.

Type 1 / Class I / B arrester (lightning current arrester) with arc chopping spark gap and ignition electronics, quenching plates for high mains follow-through current quenching capacity, 1-channel. Protection level: 0.9 kV. Housing width: 35 mm (2 Div.)



Commercial Data

Item number	2818643
Packing unit	1 pc
Minimum order quantity	1 pc
Sales Key	CL1
Product Key	CL1121
Catalog Page	Page 17 (TT-2007)
GTIN	4017918168797
Weight per Piece (including packing)	567 g
Weight per Piece (excluding packing)	514.74 g
Customs tariff number	85363030
Country of origin	IN

FLT-PLUS CTRL-0.9 - Type 1+2 combined lightning current and surge arrester

2818643

<https://www.phoenixcontact.com/in/products/2818643>

Technical Data

Notes

Trade restriction

CE note	The products are offered exclusively for export outside the EU and the European Economic Area.
---------	--

Product properties

IEC test classification	I
	T1
EN type	T1
Type	DIN rail module, one-piece
Product type	Combination type
Number of positions	1
Surge protection fault message	none

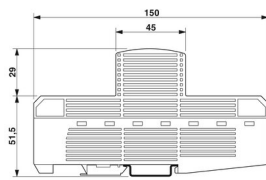
Electrical properties

Nominal frequency f_N	50 Hz
	60 Hz
Nominal voltage U_N	240 V AC
	230 V AC ... 277 V AC

Connection data

Connection method	Screw connection
Screw thread	M6
Tightening torque, min	8 Nm
Stripping length	19 mm
Conductor cross section flexible min.	16 mm ²
Conductor cross section flexible max.	35 mm ²
Conductor cross section, rigid min.	10 mm ²
Conductor cross section, rigid max.	50 mm ²

Dimensions

Dimensional drawing	
Width	35.5 mm
Height	149.8 mm

FLT-PLUS CTRL-0.9 - Type 1+2 combined lightning current and surge arrester



2818643

<https://www.phoenixcontact.com/in/products/2818643>

Depth	80.5 mm
Horizontal pitch	2 Div.

Material specifications

Color	black
Flammability rating according to UL 94	V0
Housing material	PBT/PA-F

Mechanical properties

Mechanical data

Open side panel	No
-----------------	----

Protective circuit

Direction of action	1L-N/PE
Nominal voltage U_N	230 V AC ... 277 V AC
Nominal frequency f_N	50 Hz 60 Hz
Maximum continuous voltage U_C	335 V AC
Maximum continuous operating voltage U_C (L-N)	335 V AC
Maximum continuous operating voltage U_C (L-PEN)	335 V AC
Residual current I_{PE}	≤ 0.1 mA
Standby power consumption P_C	≤ 35 mW
Operating effective current I_C at U_N	≤ 0.1 mA
Nominal discharge current I_n (8/20) μ s	50 kA
Nominal discharge current I_n (8/20) μ s (L-N)	50 kA
Nominal discharge current I_n (8/20) μ s (L-PEN)	50 kA
Impulse discharge current (10/350) μ s, charge	25 As
Impulse discharge current (10/350) μ s, specific energy	625 kJ/ Ω
Impulse discharge current (10/350) μ s, peak value I_{imp}	50 kA
Follow current quenching capacity I_{fi} (L-N)	50 kA
Follow current quenching capacity I_{fi} (L-PEN)	50 kA
Voltage protection level U_p	≤ 0.9 kV
Voltage protection level U_p (L-N)	≤ 0.9 kV
Voltage protection level U_p (L-PEN)	≤ 0.9 kV
Response time t_A	≤ 100 ns
Response time t_A (L-N)	≤ 100 ns
Response time t_A (L-PEN)	≤ 100 ns
Max. backup fuse with branch wiring	250 A (gL)

Environmental and real-life conditions

Ambient conditions

Degree of protection	IP20
----------------------	------

FLT-PLUS CTRL-0.9 - Type 1+2 combined lightning current and surge arrester



2818643

<https://www.phoenixcontact.com/in/products/2818643>

Ambient temperature (operation)	-40 °C ... 85 °C
Permissible humidity (operation)	≤ 95 %

Standards and regulations

Air clearances and creepage distances

Standards/regulations	VDE 0110-1 / IEC 60664-1 / VDE 0675-6 / NF C61-740
-----------------------	--

Standards

Standards/regulations	E DIN VDE 0675-6/A1
	UL 1449
	IEEE C62.1
	IEEE C62.45
	IEC 61643-1
	prEN 61643-1
Standards/specifications	NEMA LS-1
	IEC 61643-1

Mounting

Mounting type	DIN rail: 35 mm
---------------	-----------------

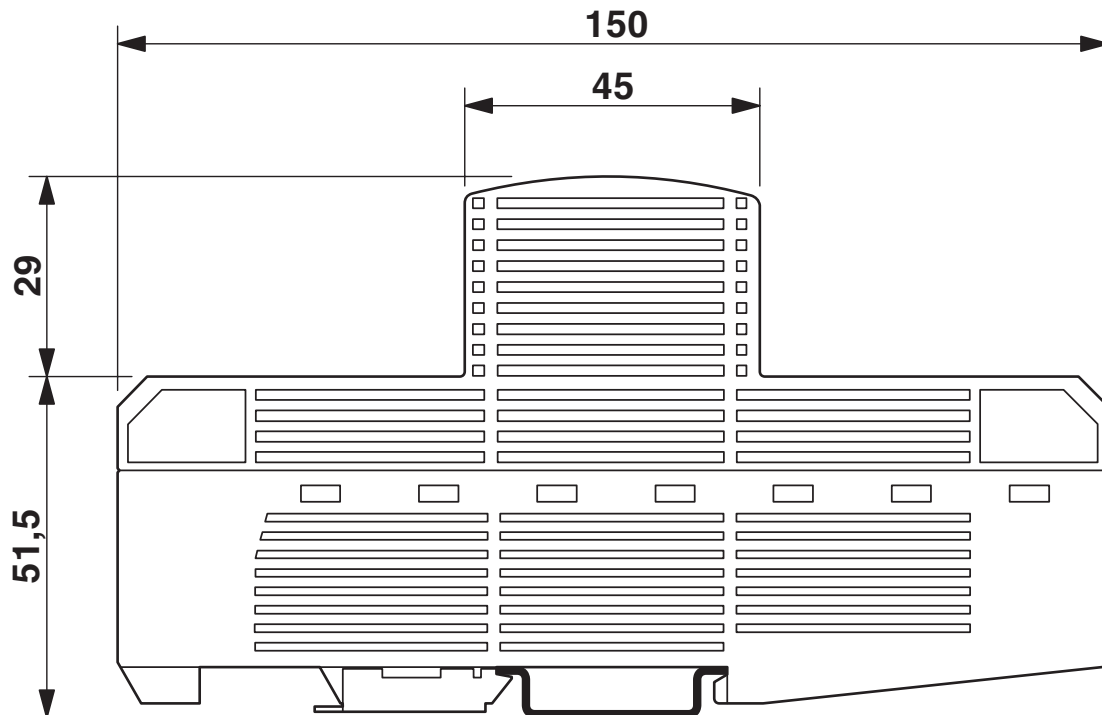
FLT-PLUS CTRL-0.9 - Type 1+2 combined lightning current and surge arrester

2818643

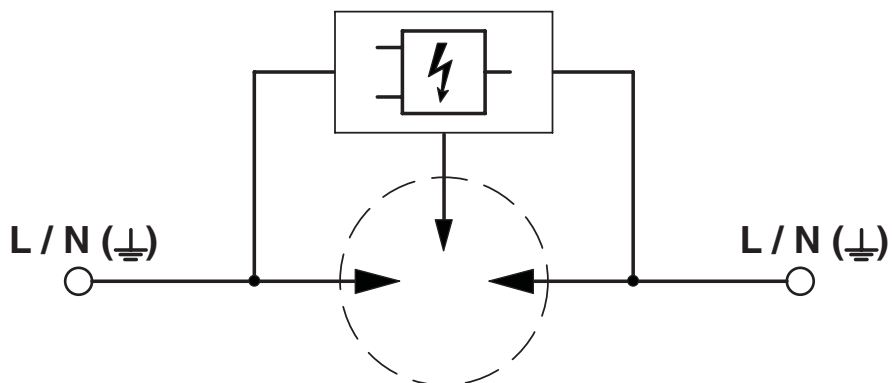
<https://www.phoenixcontact.com/in/products/2818643>

Drawings

Dimensional drawing



Circuit diagram



FLT-PLUS CTRL-0.9 - Type 1+2 combined lightning current and surge arrester



2818643

<https://www.phoenixcontact.com/in/products/2818643>

Approvals



EAC

Approval ID: RU C-DE.*09.B.00169

FLT-PLUS CTRL-0.9 - Type 1+2 combined lightning current and surge arrester



2818643

<https://www.phoenixcontact.com/in/products/2818643>

Environmental Product Compliance

China RoHS	Environmentally friendly use period: unlimited = EFUP-e
	No hazardous substances above threshold values

FLT-PLUS CTRL-0.9 - Type 1+2 combined lightning current and surge arrester



2818643

<https://www.phoenixcontact.com/in/products/2818643>

Accessories

MPB 18/1-57 - Wiring bridge

2809238

<https://www.phoenixcontact.com/in/products/2809238>



Wiring bridge for modules with connecting pitch 17.5 mm, 1-phase, 57-pos.

MPB 18/1-12 - Wiring bridge

2748593

<https://www.phoenixcontact.com/in/products/2748593>



Wiring bridge for modules with connecting pitch 17.5 mm, 1-phase, 12-pos.

FLT-PLUS CTRL-0.9 - Type 1+2 combined lightning current and surge arrester

2818643

<https://www.phoenixcontact.com/in/products/2818643>

MPB 18/1- 9 - Wiring bridge

2748580

<https://www.phoenixcontact.com/in/products/2748580>



Wiring bridge for modules with connecting pitch 17.5 mm, 1-phase, 9-pos.

MPB 18/1- 8 - Wiring bridge

2748577

<https://www.phoenixcontact.com/in/products/2748577>



Wiring bridge for modules with connecting pitch 17.5 mm, 1-phase, 8-pos.

FLT-PLUS CTRL-0.9 - Type 1+2 combined lightning current and surge arrester

2818643

<https://www.phoenixcontact.com/in/products/2818643>

MPB 18/1- 6 - Wiring bridge

2748564

<https://www.phoenixcontact.com/in/products/2748564>



Wiring bridge for modules with connecting pitch 17.5 mm, 1-phase, 6-pos.

MPB 18/1- 4 - Wiring bridge

2809225

<https://www.phoenixcontact.com/in/products/2809225>



Wiring bridge for modules with connecting pitch 17.5 mm, 1-phase, 4-pos.

FLT-PLUS CTRL-0.9 - Type 1+2 combined lightning current and surge arrester

2818643

<https://www.phoenixcontact.com/in/products/2818643>

MPB 18/1- 3 - Wiring bridge

2809212

<https://www.phoenixcontact.com/in/products/2809212>



Wiring bridge for modules with connecting pitch 17.5 mm, 1-phase, 3-pos.

MPB 18/1- 2 - Wiring bridge

2809209

<https://www.phoenixcontact.com/in/products/2809209>



Wiring bridge for modules with connecting pitch 17.5 mm, 1-phase, 2-pos.

FLT-PLUS CTRL-0.9 - Type 1+2 combined lightning current and surge arrester



2818643

<https://www.phoenixcontact.com/in/products/2818643>

CLIPFIX 35 - End clamp

3022218

<https://www.phoenixcontact.com/in/products/3022218>



Quick mounting end clamp for NS 35/7,5 DIN rail or NS 35/15 DIN rail, with marking option, width: 9.5 mm, color: gray

B-STIFT - Marker pen

1051993

<https://www.phoenixcontact.com/in/products/1051993>



Marker pen, for manual labeling of unprinted Zack strips, smear-proof and waterproof, line thickness 0.5 mm

FLT-PLUS CTRL-0.9 - Type 1+2 combined lightning current and surge arrester

2818643

<https://www.phoenixcontact.com/in/products/2818643>

ZBN 18,LGS:ERDE - Marker for terminal blocks

2749589

<https://www.phoenixcontact.com/in/products/2749589>

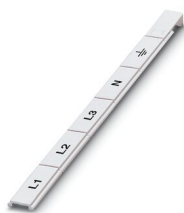


Marker for terminal blocks, Strip, white, labeled, horizontal: Grounding symbol, mounting type: snapped, for terminal block width: 18 mm, lettering field size: 18 x 5 mm, Number of individual labels: 5

ZBN 18,LGS:L1-N,ERDE - Marker for terminal blocks

2749576

<https://www.phoenixcontact.com/in/products/2749576>



Marker for terminal blocks, Strip, white, labeled, horizontal: L1, L2, L3, N, GND, mounting type: snapped, for terminal block width: 18 mm, lettering field size: 18 x 5 mm, Number of individual labels: 5

FLT-PLUS CTRL-0.9 - Type 1+2 combined lightning current and surge arrester



2818643

<https://www.phoenixcontact.com/in/products/2818643>

ZBN 18:UNBEDRUCKT - Zack marker strip

2809128

<https://www.phoenixcontact.com/in/products/2809128>



Zack marker strip, Strip, white, unlabeled, can be labeled with: CMS-P1-PLOTTER, PLOTMARK, mounting type: snapped, for terminal block width: 18 mm, lettering field size: 18 x 5 mm, Number of individual labels: 5

Phoenix Contact 2023 © - all rights reserved
<https://www.phoenixcontact.com>

PHOENIX CONTACT (I) Pvt. Ltd.
A-58/2, Okhla Industrial Area, Phase - II, New Delhi-110 020

+91.1275.71420
info@phoenixcontact.co.in