

MCR-F-UI-DC - Frequency measuring transducer



2814605

<https://www.phoenixcontact.com/in/products/2814605>

Please be informed that the data shown in this PDF document is generated from our online catalog. Please find the complete data in the user documentation. Our general terms of use for downloads are valid.



MCR frequency measuring transducer, programmable, for converting frequencies into analog signals, with 3-way isolation and configurable output

Your advantages

- Replacement product MINI MCR-2-F-UI(-PT) 2902056 (2902058, Push-in version) in combination with MINI MCR-2-SPS-24-15(-PT) 1033202 (1033201, Push-in version)
- Can be programmed via membrane keypad or software
- Display of the input or output signal
- 3-way isolation
- Analog and switching output
- For NAMUR sensors, floating contacts, frequency generators, and NPN/PNP transistor outputs
- Frequencies up to 120 kHz

Commercial data

Item number	2814605
Packing unit	1 pc
Minimum order quantity	1 pc
Sales key	CK1
Product key	CK1831
Catalog page	Page 136 (C-7-2015)
GTIN	4017918168827
Weight per piece (including packing)	234.9 g
Weight per piece (excluding packing)	234.9 g
Customs tariff number	85437090
Country of origin	DE

Technical data

Notes

Utilization restriction

EMC note	EMC: class A product, see manufacturer's declaration in the download area
----------	---

Product properties

Product type	Frequency value transformer
Operating elements	Membrane keypad with 3 keys and LCD display

Electrical properties

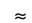
Alignment span	± 25 %
Alignment zero	± 25 %
Electrical isolation between input and output	yes
Maximum power dissipation for nominal condition	1.8 W
Test voltage, input/output/supply	1.5 kV (50 Hz, 1 min.)
Protective circuit	Transient protection
	Reverse polarity protection
Step response (10-90%)	< 25 ms
Maximum temperature coefficient	0.015 %/K
Temperature coefficient, typical	0.01 %/K
Maximum transmission error	≤ 0.15 % (of measured value)
Transmission error, typical	0.1 %

Supply

Supply voltage range	20 V DC ... 30 V DC
Max. current consumption	< 60 mA (without load, without switching output)

Input data

Measurement: Frequency

Configurable/programmable	Yes
Available input sources	NPN/PNP transistor outputs
	NAMUR initiators
	Floating relay contact (dry contact)
	Frequency generator
Encoder supply voltage	≈  V DC
Encoder supply current	≤ 25 mA (constant)
Signal level	2 V _{PP} (In case of rectangle 0.1 Hz ... 120 kHz)
	2 V _{PP} (In case of sine 8 Hz ... 120 kHz)
	13 V _{PP} (In case of sine 1 Hz ... 120 kHz)
Max. voltage input signal	30 V (incl. DC voltage)
Impulse form	any

MCR-F-UI-DC - Frequency measuring transducer



2814605

<https://www.phoenixcontact.com/in/products/2814605>

Pulse time	$\geq 1 \mu\text{s}$
Measured value resolution	$> 12 \text{ bit}$
A/D conversion time	$\leq 32 \text{ ms}$
Frequency measuring range	0.1 Hz ... 120 kHz

Signal: I analog

Description of the input	Current input (isolating amplifier function)
Number of inputs	1
Configurable/programmable	Yes
Current input signal	0 mA ... 20 mA (freely adjustable)
Max. current input signal	24 mA
Input resistance current input	200 Ω
Measured value resolution	14 bit (full-scale)
Step response (10-90%)	$< 25 \text{ ms}$
Supply voltage	24 V DC

Signal: U digital

Description of the input	Voltage input (isolating amplifier function)
Configurable/programmable	Yes
Voltage input signal	0 V ... 10 V (freely adjustable)
Max. voltage input signal	12 V
Input resistance of voltage input	95 k Ω
Measured value resolution	14 bit (full-scale)
Step response (10-90%)	$< 25 \text{ ms}$

Output data

Switching: Transistor

Output description	Switches supply voltage to terminal block SW, can carry a load of 100 mA, not protected against short-circuit
--------------------	---

Signal:

Number of outputs	1
Configurable/programmable	Yes
Voltage output signal	0 V ... 10 V 0 V ... 5 V 10 V ... 0 V 5 V ... 0 V
Max. voltage output signal	12.5 V
Load/output load voltage output	$\geq 500 \Omega$
Ripple	$< 20 \text{ mV}_{\text{PP}}$

Signal:

Configurable/programmable	Yes
Current output signal	0 mA ... 20 mA 4 mA ... 20 mA 20 mA ... 0 mA

MCR-F-UI-DC - Frequency measuring transducer



2814605

<https://www.phoenixcontact.com/in/products/2814605>

	20 mA ... 4 mA
Max. current output signal	25 mA
Load/output load current output	$\leq 500 \Omega$
Ripple	$< 20 \text{ mV}_{PP}$

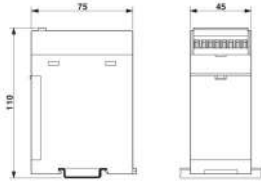
Connection data

Connection method	Screw connection
Stripping length	8 mm
Screw thread	M3
Conductor cross section rigid	0.2 mm ² ... 2.5 mm ²
Conductor cross section flexible	0.2 mm ² ... 2.5 mm ²
Conductor cross section AWG	24 ... 14

Signaling

Status display	LC display
----------------	------------

Dimensions

Dimensional drawing	
Width	45 mm
Height	75 mm
Depth	110 mm

Material specifications

Color	green (RAL 6021)
Housing material	ASA-PC (V0)

Environmental and real-life conditions

Ambient conditions

Ambient temperature (operation)	-20 °C ... 65 °C (for specified data)
---------------------------------	---------------------------------------

Approvals

CE

Certificate	CE-compliant
-------------	--------------

UL, USA/Canada

Identification	Class I, Div. 2, Groups A, B, C, D or Non-Hazardous Locations
----------------	---

GL

Identification	DNV GL
----------------	--------

MCR-F-UI-DC - Frequency measuring transducer



2814605

<https://www.phoenixcontact.com/in/products/2814605>

Mounting

Mounting type	DIN rail mounting
Mounting position	any

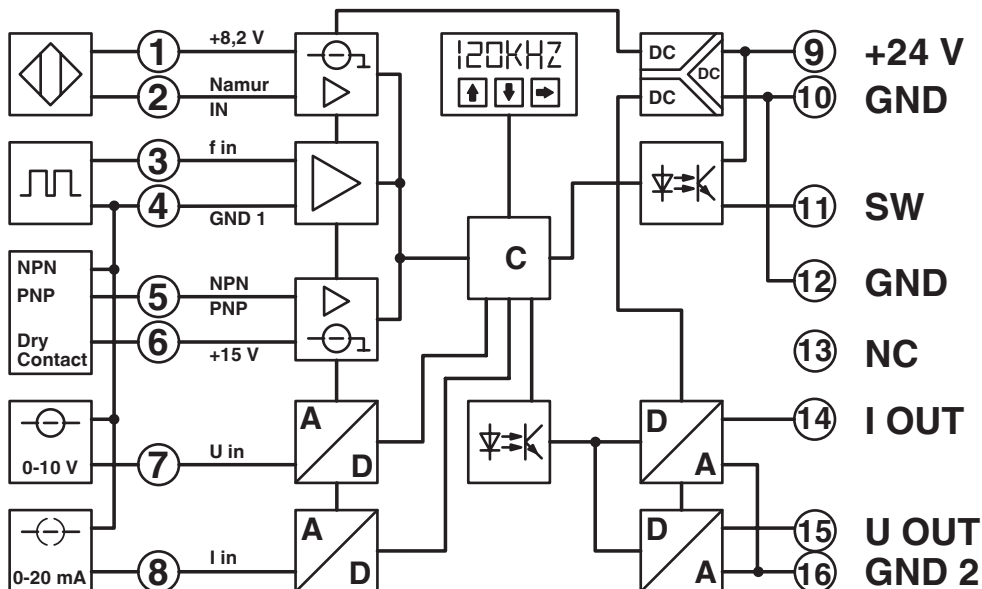
MCR-F-UI-DC - Frequency measuring transducer

2814605

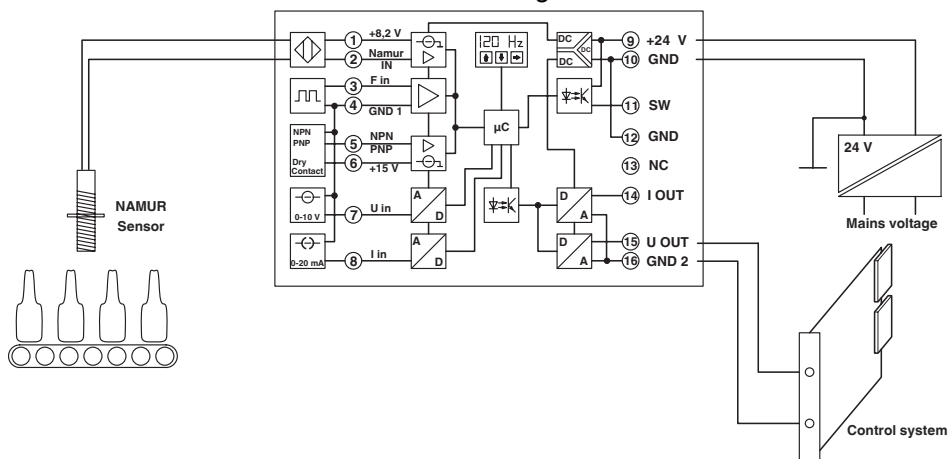
<https://www.phoenixcontact.com/in/products/2814605>

Drawings

Circuit diagram



Connection diagram



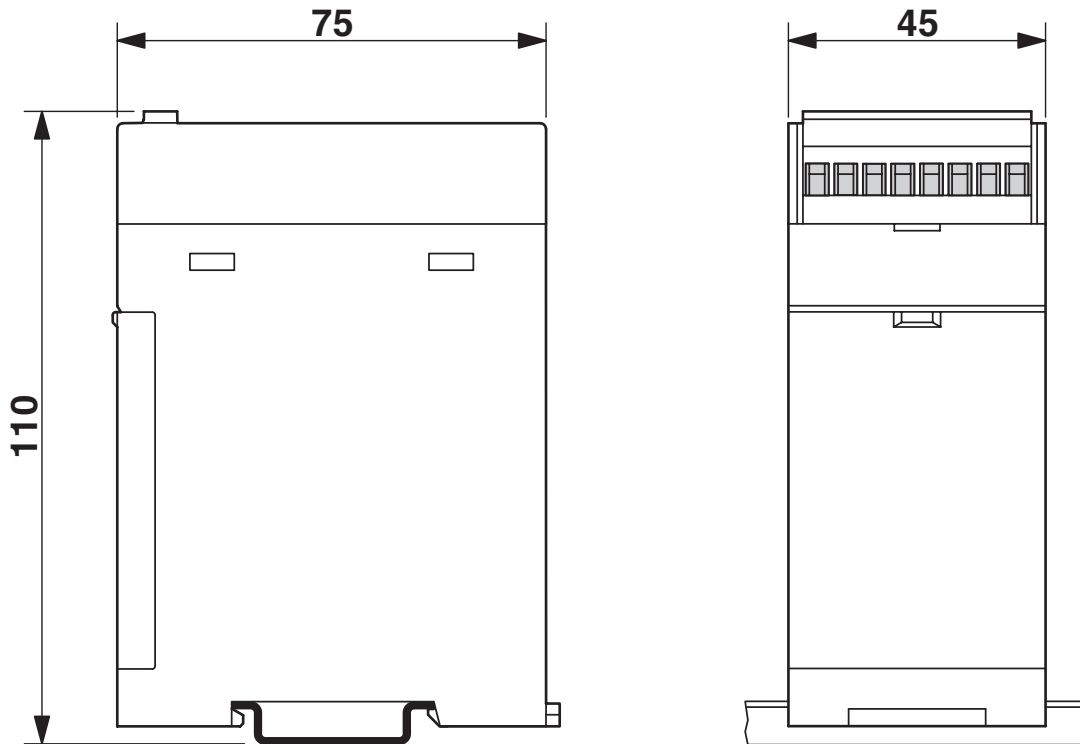
Application example: Flow measurement

MCR-F-UI-DC - Frequency measuring transducer

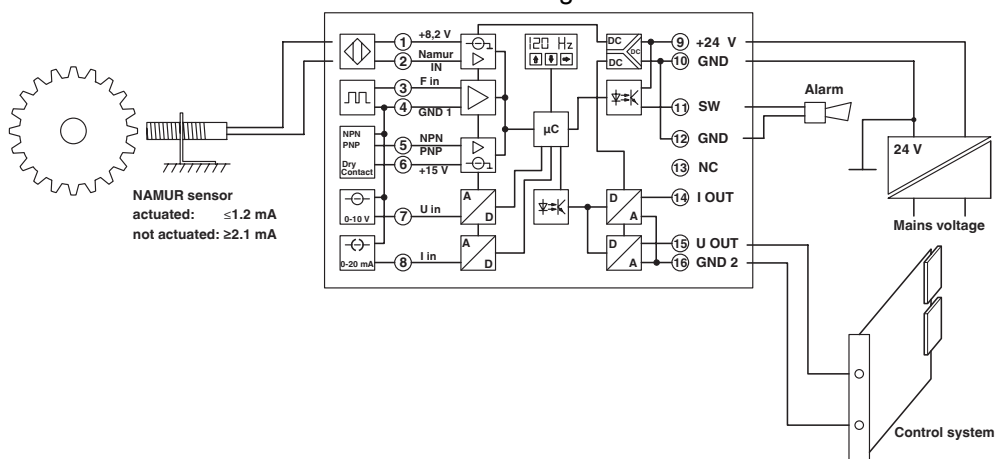
2814605

<https://www.phoenixcontact.com/in/products/2814605>

Dimensional drawing



Connection diagram



Application example: Measurement of revolutions of a drive

MCR-F-UI-DC - Frequency measuring transducer



2814605

<https://www.phoenixcontact.com/in/products/2814605>

Environmental product compliance

EU RoHS

Fulfills EU RoHS substance requirements	Yes
Exemption	6(c), 7(a), 7(c)-I

China RoHS

Environment friendly use period (EFUP)	EFUP-50
	An article-related China RoHS declaration table can be found in the download area for the respective article under "Manufacturer declaration". For all articles with EFUP-E, no China RoHS declaration table issued and required.

EU REACH SVHC

REACH candidate substance (CAS No.)	Lead(CAS: 7439-92-1)
-------------------------------------	----------------------

MCR-F-UI-DC - Frequency measuring transducer

2814605

<https://www.phoenixcontact.com/in/products/2814605>



Accessories

MCR-TTL-RS232-E - Adapter cable

2814388

<https://www.phoenixcontact.com/in/products/2814388>

Software adapter cable (Stereo jack connector/D-SUB 25-pos.), 1.2 m length, for programming MCR-T-..., MCR-S-... and MCR-f-... modules



CM-KBL-RS232/USB - Cable

2881078

<https://www.phoenixcontact.com/in/products/2881078>

Connecting cable D-9-SUB to USB, with adapter D-9-SUB to D-25-SUB.



MCR-F-UI-DC - Frequency measuring transducer

2814605

<https://www.phoenixcontact.com/in/products/2814605>



PSM-KAD 9 SUB 25/BS - Data cable

2761295

<https://www.phoenixcontact.com/in/products/2761295>



Adapter cable, 9-pos. D-SUB socket to 25-pos. D-SUB male

Phoenix Contact 2024 © - all rights reserved

<https://www.phoenixcontact.com>

PHOENIX CONTACT (I) Pvt. Ltd.

A-58/2, Okhla Industrial Area, Phase - II, New Delhi-110 020

+91.1275.71420

info@phoenixcontact.co.in