

MINI MCR-BL-I-I - Signal conditioner



2810463

<https://www.phoenixcontact.com/in/products/2810463>

Please be informed that the data shown in this PDF document is generated from our Online Catalog. Please find the complete data in the user documentation. Our General Terms of Use for Downloads are valid.



MCR 3-way isolating amplifier, for electrical isolation of analog signals, with screw connection, input signal: 0(4) mA ... 20 mA, output signal: 0(4) mA ... 20 mA

Commercial Data

| | |
|--------------------------------------|---------------|
| Item number | 2810463 |
| Packing unit | 1 pc |
| Minimum order quantity | 1 pc |
| Sales Key | CK1 |
| Product Key | CK1211 |
| GTIN | 4046356166683 |
| Weight per Piece (including packing) | 66.9 g |
| Weight per Piece (excluding packing) | 60.5 g |
| Customs tariff number | 85437090 |
| Country of origin | DE |

MINI MCR-BL-I-I - Signal conditioner



2810463

<https://www.phoenixcontact.com/in/products/2810463>

Technical Data

Notes

Utilization restriction

| | |
|----------|---|
| EMC note | EMC: class A product, see manufacturer's declaration in the download area |
|----------|---|

Product properties

| | |
|-----------------|--------------------|
| Product type | Signal conditioner |
| Product family | MINI Analog |
| No. of channels | 1 |

Insulation characteristics

| | |
|----------------------|----|
| Overvoltage category | II |
| Pollution degree | 2 |

Electrical properties

| | |
|---|--------------------------|
| No. of channels | 1 |
| Electrical isolation | 3-way isolation |
| Limit frequency (3 dB) | approx. 100 Hz |
| Maximum power dissipation for nominal condition | 250 mW |
| Signal transmission behavior | In = Out |
| Step response (10-90%) | 500 ms |
| Maximum temperature coefficient | < 0.01 %/K |
| Temperature coefficient, typical | < 0.002 %/K |
| Maximum transmission error | < 0.1 % (of final value) |

Electrical isolation Input/output/power supply

| | |
|--------------------------|--|
| Rated insulation voltage | 50 V AC/DC |
| Test voltage | 1.5 kV AC (50 Hz, 60 s) |
| Insulation | Basic insulation in accordance with IEC/EN 61010 |

Supply

| | |
|--------------------------|-----------------------|
| Nominal supply voltage | 24 V DC \pm 10 % |
| Supply voltage range | 19.2 V DC ... 30 V DC |
| Max. current consumption | < 20 mA |
| Power consumption | < 450 mW |

Input data

Signal: Current

| | |
|---------------------------|----------------------------------|
| Number of inputs | 1 |
| Configurable/programmable | no |
| Current input signal | 0 mA ... 20 mA 4 mA ... 20 mA |

MINI MCR-BL-I-I - Signal conditioner

2810463

<https://www.phoenixcontact.com/in/products/2810463>

| | |
|--------------------------------|---------------------|
| Max. current input signal | 50 mA |
| Input resistance current input | approx. 50 Ω |

Output data

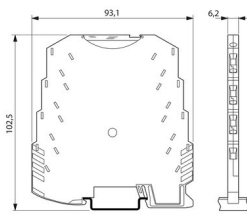
Signal: Current

| | |
|---------------------------------|--|
| Number of outputs | 1 |
| Non-load voltage | approx. 12.5 V |
| Current output signal | 0 mA ... 20 mA 4 mA ... 20 mA |
| Max. current output signal | 28 mA |
| Load/output load current output | < 500 Ω (at 20 mA) |
| Ripple | < 20 mV _{PP} (at 500 Ω) |

Connection data

| | |
|----------------------------------|---|
| Connection method | Screw connection |
| Stripping length | 12 mm |
| Screw thread | M3 |
| Conductor cross section rigid | 0.2 mm ² ... 2.5 mm ² |
| Conductor cross section flexible | 0.2 mm ² ... 2.5 mm ² |
| Conductor cross section AWG | 26 ... 12 |

Dimensions

| | |
|---------------------|--|
| Dimensional drawing |  |
| Width | 6.2 mm |
| Height | 93.1 mm |
| Depth | 102.5 mm |

Material specifications

| | |
|--|-------------|
| Fire protection for rail vehicles (DIN EN 45545-2) R22 | HL 1 - HL 2 |
| Fire protection for rail vehicles (DIN EN 45545-2) R23 | HL 1 - HL 2 |
| Fire protection for rail vehicles (DIN EN 45545-2) R24 | HL 1 - HL 2 |
| Housing material | PBT |

Environmental and real-life conditions

Ambient conditions

| | |
|---|------------------|
| Degree of protection | IP20 |
| Ambient temperature (operation) | -10 °C ... 60 °C |
| Ambient temperature (storage/transport) | -20 °C ... 65 °C |

MINI MCR-BL-I-I - Signal conditioner



2810463

<https://www.phoenixcontact.com/in/products/2810463>

Approvals

CE

| | |
|-------------|--------------|
| Certificate | CE-compliant |
|-------------|--------------|

UKCA

| | |
|-------------|----------------|
| Certificate | UKCA-compliant |
|-------------|----------------|

EMC data

| | |
|-------------------------------|--------------------------------|
| Noise immunity | EN 61000-6-2:2005 |
| Electromagnetic compatibility | Conformance with EMC directive |
| Noise emission | EN 61000-6-4 |

Electrostatic discharge

| | |
|----------|---|
| Comments | Safety measures must be taken to prevent electrostatic discharge. |
|----------|---|

Standards and regulations

| | |
|----------------------|-----------------|
| Electrical isolation | 3-way isolation |
|----------------------|-----------------|

Mounting

| | |
|-------------------|-------------------|
| Mounting type | DIN rail mounting |
| Mounting position | any |

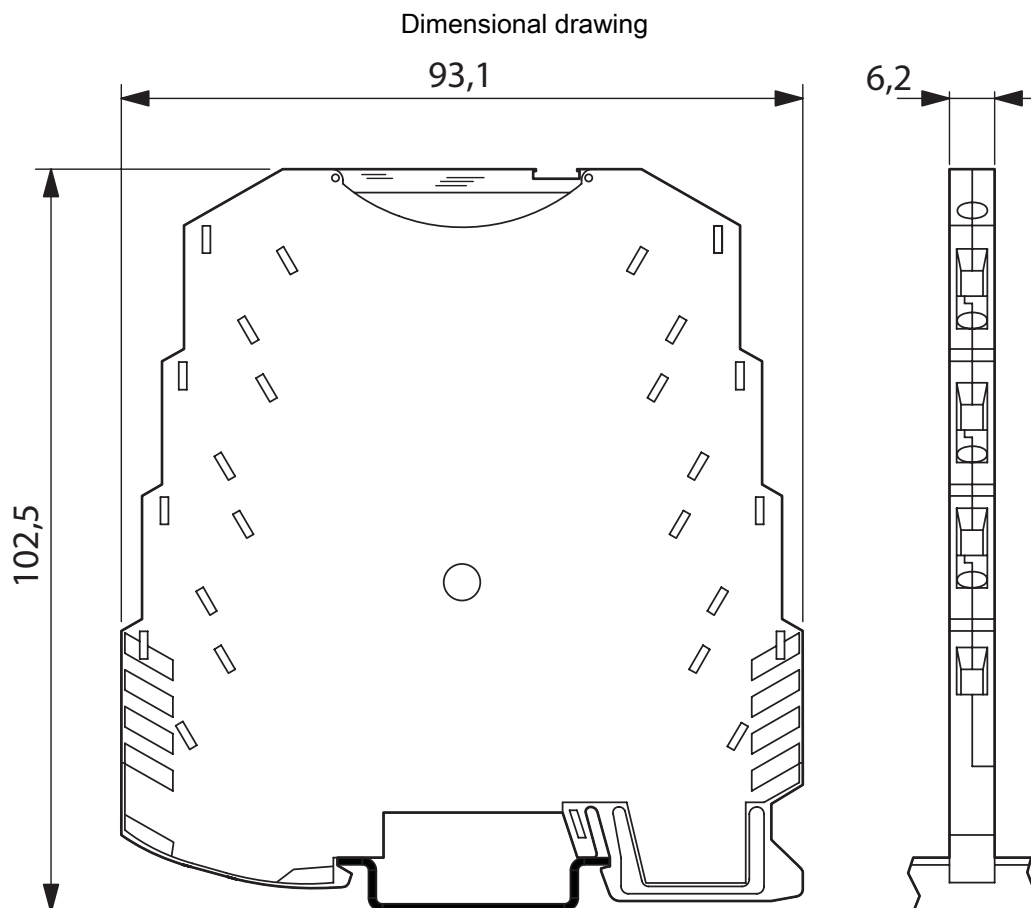
MINI MCR-BL-I-I - Signal conditioner

2810463

<https://www.phoenixcontact.com/in/products/2810463>



Drawings



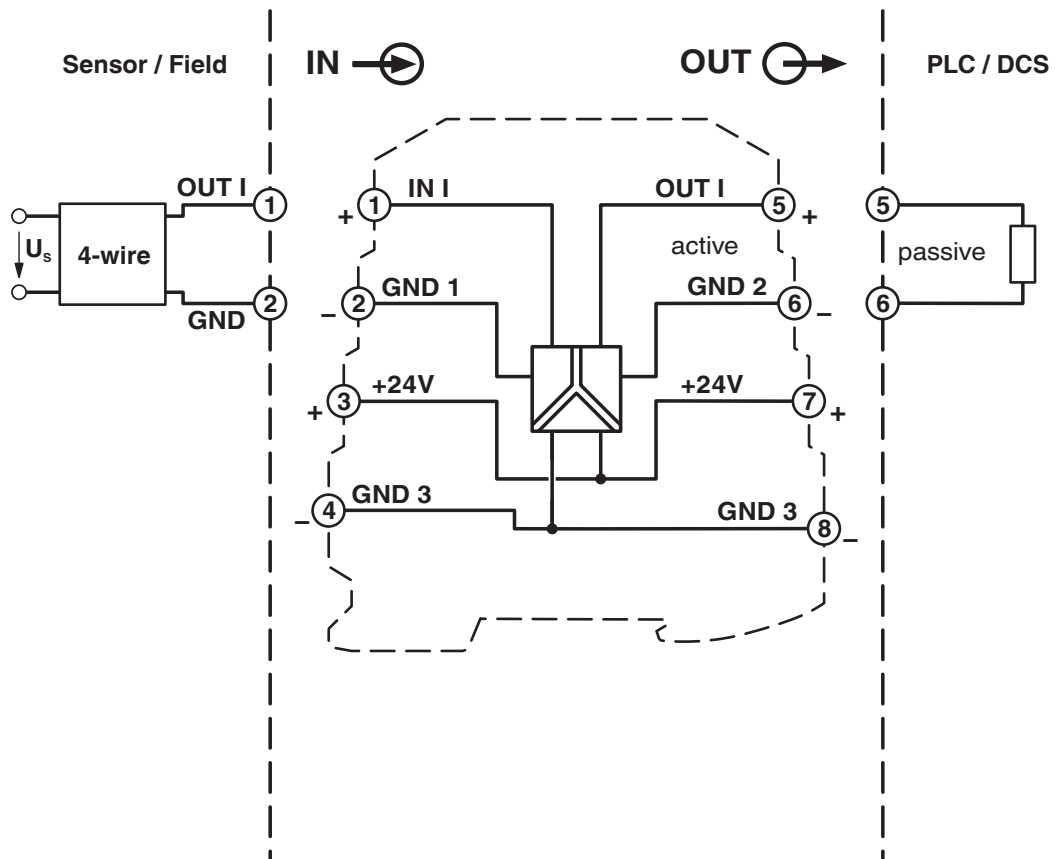
MINI MCR-BL-I-I - Signal conditioner

2810463

<https://www.phoenixcontact.com/in/products/2810463>



Block diagram



MINI MCR-BL-I-I - Signal conditioner



2810463

<https://www.phoenixcontact.com/in/products/2810463>

Classifications

ECLASS

| | |
|-------------|----------|
| ECLASS-11.0 | 27210120 |
| ECLASS-12.0 | 27210120 |
| ECLASS-13.0 | 27210120 |

ETIM

| | |
|----------|----------|
| ETIM 8.0 | EC002653 |
|----------|----------|

UNSPSC

| | |
|-------------|----------|
| UNSPSC 21.0 | 39121000 |
|-------------|----------|

MINI MCR-BL-I-I - Signal conditioner

2810463

<https://www.phoenixcontact.com/in/products/2810463>



Environmental Product Compliance

| | |
|------------|--|
| REACH SVHC | Lead 7439-92-1 |
| China RoHS | Environmentally Friendly Use Period = 50 years |
| | For information on hazardous substances, refer to the manufacturer's declaration available under "Downloads" |

MINI MCR-BL-I-I - Signal conditioner

2810463

<https://www.phoenixcontact.com/in/products/2810463>



Accessories

MINI MCR DKL - Transparent cover

2308111

<https://www.phoenixcontact.com/in/products/2308111>



Fold up transparent cover for MINI MCR modules with additional labeling option using insert strips and flat Zack marker strip 6.2 mm

MINI MCR-DKL-LABEL - Marking label

2810272

<https://www.phoenixcontact.com/in/products/2810272>



Label for extended marking of MINI MCR modules in connection with the MINI MCR-DKL

Phoenix Contact 2023 © - all rights reserved

<https://www.phoenixcontact.com>

PHOENIX CONTACT (I) Pvt. Ltd.

A-58/2, Okhla Industrial Area, Phase - II, New Delhi-110 020

+91.1275.71420

info@phoenixcontact.co.in