

CB 1/6-2/4 PT-BE - Base element



2800929

<https://www.phoenixcontact.com/in/products/2800929>

Please be informed that the data shown in this PDF document is generated from our online catalog. Please find the complete data in the user documentation. Our general terms of use for downloads are valid.

Base element with push-in connection technology for CB ... device circuit breakers



Your advantages

- Fast installation with reduced wiring work with bridging options
- Can be extended at any time with the modular design
- Fast and reliable installation thanks to Push-in connection technology
- Clear assignment of protective plug with coding options

Commercial data

Item number	2800929
Packing unit	10 pc
Minimum order quantity	10 pc
Sales key	CLA
Product key	CLA193
Catalog page	Page 396 (C-4-2019)
GTIN	4046356690638
Weight per piece (including packing)	33.11 g
Weight per piece (excluding packing)	33.021 g
Customs tariff number	85366990
Country of origin	PL

CB 1/6-2/4 PT-BE - Base element



2800929

<https://www.phoenixcontact.com/in/products/2800929>

Technical data

Product properties

Product type	Base element
Product family	CB BE
Type	Base element, DIN rail mounting

Data management status

Article revision	05
------------------	----

Insulation characteristics

Overvoltage category	III
Degree of pollution	3

Electrical properties

Maximum load current	16 A
Maximum power dissipation for nominal condition	0 VA
Nominal voltage U_N	300 V

General

Rated insulation voltage U_i	250 V
Rated surge voltage	4 kV
Insertion/withdrawal cycles	100

Indicator/remote signaling

Connection name	Remote indication circuit
Switching function	Changeover contact

Connection data

Maximum load current	16 A
Connection method	Push-in connection
Conductor cross-section flexible (ferrule without plastic sleeve)	0.5 mm ² Connection 1 ... 6 mm ² Connection 1
Flexible conductor cross section (ferrule with plastic sleeve)	0.5 mm ² Connection 1 ... 6 mm ² Connection 1
Conductor cross-section flexible (2 conductors with the same cross-section, with TWIN ferrule and plastic sleeve)	0.5 mm ² Connection 1 ... 1 mm ² Connection 1
Conductor cross-section flexible (ferrule without plastic sleeve)	0.25 mm ² Connection 2.1/2.2 ... 4 mm ² Connection 2.1/2.2
Flexible conductor cross section (ferrule with plastic sleeve)	0.25 mm ² Connection 2.1/2.2 ... 4 mm ² Connection 2.1/2.2
Conductor cross-section flexible (2 conductors with the same cross-section, with TWIN ferrule and plastic sleeve)	0.5 mm ² Connection 2.1/2.2 ... 1 mm ² Connection 2.1/2.2
Conductor cross-section flexible (ferrule without plastic sleeve)	0.14 mm ² Connection 12/11/14 ... 1 mm ² Connection 12/11/14
Flexible conductor cross section (ferrule with plastic sleeve)	0.14 mm ² Connection 12/11/14 ... 1.5 mm ² Connection 12/11/14

Connection cross sections directly pluggable

Conductor cross section rigid	1 mm ² ... 6 mm ²
Conductor cross-section flexible (ferrule without plastic sleeve)	0.5 mm ² Connection 1 ... 6 mm ² Connection 1
Flexible conductor cross section (ferrule with plastic sleeve)	0.5 mm ² Connection 1 ... 6 mm ² Connection 1

CB 1/6-2/4 PT-BE - Base element



2800929

<https://www.phoenixcontact.com/in/products/2800929>

Conductor cross section rigid	0.5 mm ² ... 6 mm ²
Conductor cross-section flexible (ferrule without plastic sleeve)	0.5 mm ² Connection 2.1/2.2 ... 4 mm ² Connection 2.1/2.2
Flexible conductor cross section (ferrule with plastic sleeve)	0.75 mm ² Connection 2.1/2.2 ... 4 mm ² Connection 2.1/2.2
Conductor cross section rigid	0.25 mm ² ... 1.5 mm ²
Conductor cross-section flexible (ferrule without plastic sleeve)	0.34 mm ² Connection 12/11/14 ... 1 mm ² Connection 12/11/14
Flexible conductor cross section (ferrule with plastic sleeve)	0.34 mm ² Connection 12/11/14 ... 1.5 mm ² Connection 12/11/14

Connection 1

Connection method	Push-in connection
Stripping length	12 mm
Conductor cross section flexible min.	0.5 mm ²
Conductor cross section flexible max.	6 mm ²
Conductor cross section, rigid min.	0.5 mm ²
Conductor cross section, rigid max.	6 mm ²

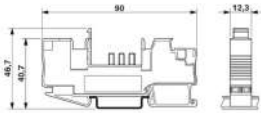
Connection 2.1/2.2

Connection method	Push-in connection
Stripping length	12 mm
Conductor cross section flexible min.	0.2 mm ²
Conductor cross section flexible max.	4 mm ²
Conductor cross section, rigid min.	0.2 mm ²
Conductor cross section, rigid max.	6 mm ²

Remote indication circuit

Connection method	Push-in connection
Stripping length	8 mm
Conductor cross section flexible	0.14 mm ² ... 1.5 mm ²
Conductor cross section rigid	0.14 mm ² ... 1.5 mm ²
Conductor cross section AWG	26 ... 16
Conductor cross section, flexible, with ferrule, with plastic sleeve	0.14 mm ² ... 1.5 mm ²

Dimensions

Dimensional drawing	
Width	12.3 mm
Height	90 mm
Depth	46.7 mm

Material specifications

Color	gray (RAL 7042)
	black (RAL 9005)
Flammability rating according to UL 94	V0
Insulating material group	I

CB 1/6-2/4 PT-BE - Base element



2800929

<https://www.phoenixcontact.com/in/products/2800929>

Insulating material	PA 6.6
---------------------	--------

Mechanical properties

Mechanical data

Open side panel	No
-----------------	----

Environmental and real-life conditions

Ambient conditions

Degree of protection	IP30 (Actuation area)
Ambient temperature (operation)	-30 °C ... 60 °C
Ambient temperature (storage/transport)	-40 °C ... 120 °C

Standards and regulations

Standards/specifications	IEC 60947-7-1
--------------------------	---------------

Mounting

Mounting type	DIN rail: 35 mm
---------------	-----------------

CB 1/6-2/4 PT-BE - Base element

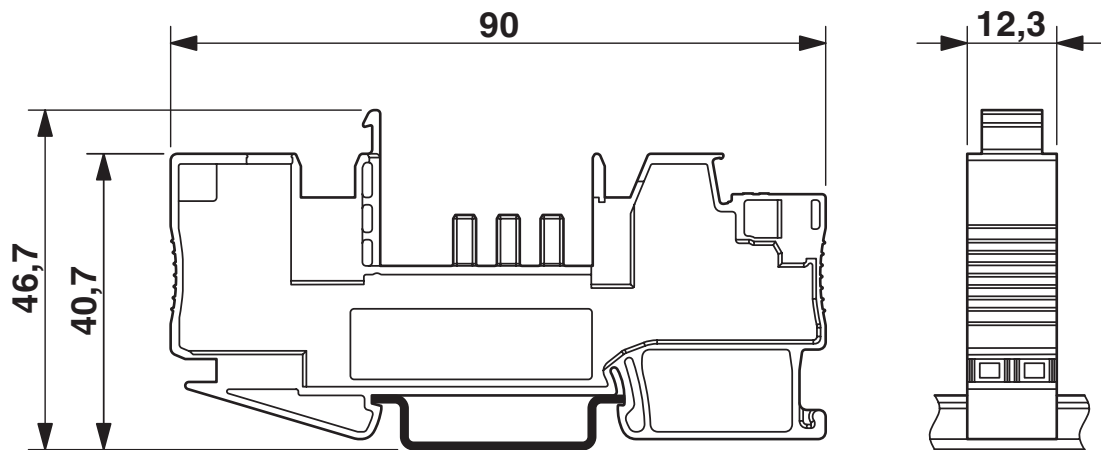
2800929

<https://www.phoenixcontact.com/in/products/2800929>



Drawings

Dimensional drawing



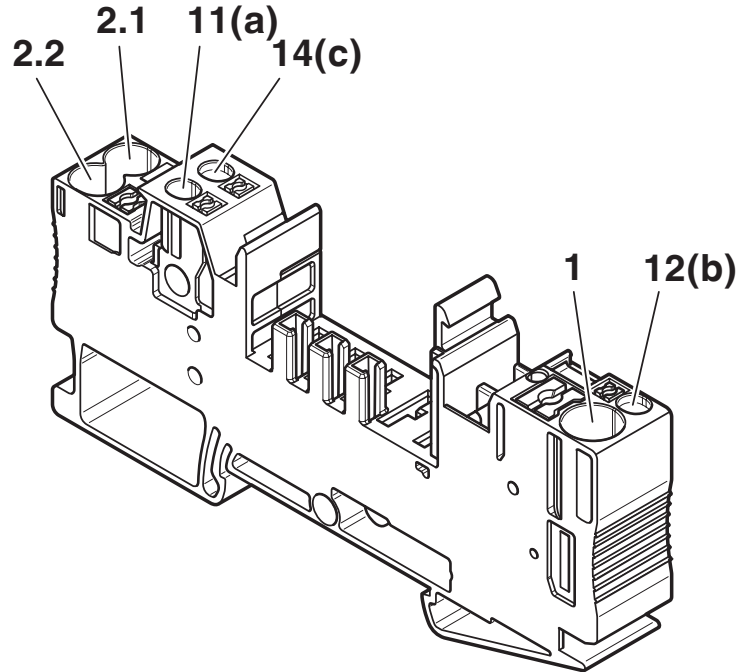
CB 1/6-2/4 PT-BE - Base element



2800929

<https://www.phoenixcontact.com/in/products/2800929>

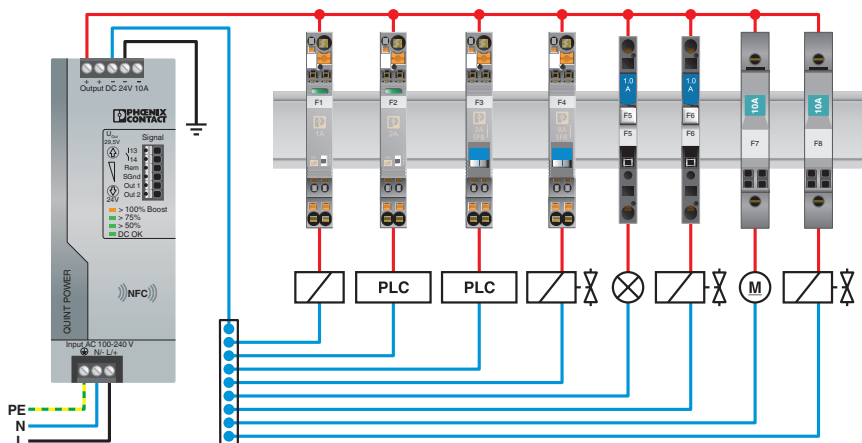
Connection diagram



1	12 mm	0.5 - 6 mm ² AWG 20-10		
2.1 / 2.2		0.25 - 6 mm ² AWG 24-10	0.2 - 4 mm ² AWG 24-12	
11(a)/12 (b)/ 14 (c)	8 mm	0.14 - 1.5 mm ² AWG 26-16	0.14 - 1 mm ² AWG 26-18	0.14 - 1.5 mm ² AWG 26-16

Connection of the cables

Application drawing



CB 1/6-2/4 PT-BE - Base element



2800929

<https://www.phoenixcontact.com/in/products/2800929>

Approvals

To download certificates, visit the product detail page: <https://www.phoenixcontact.com/in/products/2800929>



CSA

Approval ID: 2782003



cUL Recognized

Approval ID: File E60425



UL Recognized

Approval ID: File E60425



DNV GL

Approval ID: TAE00003C7

UAE-RoHS

Approval ID: 23-10-88708

cULus Recognized

CB 1/6-2/4 PT-BE - Base element



2800929

<https://www.phoenixcontact.com/in/products/2800929>

Classifications

ECLASS

ECLASS-11.0	27140401
ECLASS-12.0	27140401
ECLASS-13.0	27140401

ETIM

ETIM 9.0	EC003538
----------	----------

UNSPSC

UNSPSC 21.0	39121400
-------------	----------

CB 1/6-2/4 PT-BE - Base element



2800929

<https://www.phoenixcontact.com/in/products/2800929>

Environmental product compliance

EU RoHS

Fulfills EU RoHS substance requirements	Yes, No exemptions
---	--------------------

China RoHS

Environment friendly use period (EFUP)	EFUP-E
	No hazardous substances above the limits

EU REACH SVHC

REACH candidate substance (CAS No.)	No substance above 0.1 wt%
-------------------------------------	----------------------------

CB 1/6-2/4 PT-BE - Base element

2800929

<https://www.phoenixcontact.com/in/products/2800929>

Mandatory accessories

CB TM1 0.5A SFB P - Thermomagnetic device circuit breaker

2800835

<https://www.phoenixcontact.com/in/products/2800835>



Thermomagnetic device circuit breaker, 1-pos., tripping characteristic SFB, 1 changeover contact, plug for base element.

CB TM1 1A SFB P - Thermomagnetic device circuit breaker

2800836

<https://www.phoenixcontact.com/in/products/2800836>



Thermomagnetic device circuit breaker, 1-pos., tripping characteristic SFB, 1 changeover contact, plug for base element.

CB 1/6-2/4 PT-BE - Base element

2800929

<https://www.phoenixcontact.com/in/products/2800929>



CB TM1 2A SFB P - Thermomagnetic device circuit breaker

2800837

<https://www.phoenixcontact.com/in/products/2800837>



Thermomagnetic device circuit breaker, 1-pos., tripping characteristic SFB, 1 changeover contact, plug for base element.

CB TM1 3A SFB P - Thermomagnetic device circuit breaker

2800838

<https://www.phoenixcontact.com/in/products/2800838>



Thermomagnetic device circuit breaker, 1-pos., tripping characteristic SFB, 1 changeover contact, plug for base element.

CB 1/6-2/4 PT-BE - Base element

2800929

<https://www.phoenixcontact.com/in/products/2800929>



CB TM1 4A SFB P - Thermomagnetic device circuit breaker

2800839

<https://www.phoenixcontact.com/in/products/2800839>



Thermomagnetic device circuit breaker, 1-pos., tripping characteristic SFB, 1 changeover contact, plug for base element.

CB TM1 5A SFB P - Thermomagnetic device circuit breaker

2800840

<https://www.phoenixcontact.com/in/products/2800840>



Thermomagnetic device circuit breaker, 1-pos., tripping characteristic SFB, 1 changeover contact, plug for base element.

CB 1/6-2/4 PT-BE - Base element

2800929

<https://www.phoenixcontact.com/in/products/2800929>

CB TM1 6A SFB P - Thermomagnetic device circuit breaker

2800841

<https://www.phoenixcontact.com/in/products/2800841>



Thermomagnetic device circuit breaker, 1-pos., tripping characteristic SFB, 1 changeover contact, plug for base element.

CB TM1 8A SFB P - Thermomagnetic device circuit breaker

2800842

<https://www.phoenixcontact.com/in/products/2800842>



Thermomagnetic device circuit breaker, 1-pos., tripping characteristic SFB, 1 changeover contact, plug for base element.

CB 1/6-2/4 PT-BE - Base element

2800929

<https://www.phoenixcontact.com/in/products/2800929>



CB TM1 10A SFB P - Thermomagnetic device circuit breaker

2800843

<https://www.phoenixcontact.com/in/products/2800843>



Thermomagnetic device circuit breaker, 1-pos., tripping characteristic SFB, 1 changeover contact, plug for base element.

CB TM1 12A SFB P - Thermomagnetic device circuit breaker

2800844

<https://www.phoenixcontact.com/in/products/2800844>



Thermomagnetic device circuit breaker, 1-pos., tripping characteristic SFB, 1 changeover contact, plug for base element.

CB 1/6-2/4 PT-BE - Base element

2800929

<https://www.phoenixcontact.com/in/products/2800929>



CB TM1 16A SFB P - Thermomagnetic device circuit breaker

2800845

<https://www.phoenixcontact.com/in/products/2800845>



Thermomagnetic device circuit breaker, 1-pos., tripping characteristic SFB, 1 changeover contact, plug for base element.

CB TM1 0.5A M1 P - Thermomagnetic device circuit breaker

2800846

<https://www.phoenixcontact.com/in/products/2800846>



Thermomagnetic device circuit breaker, 1-pos., tripping characteristic M1 (medium-blow), 1 changeover contact, plug for base element.

CB 1/6-2/4 PT-BE - Base element

2800929

<https://www.phoenixcontact.com/in/products/2800929>



CB TM1 1A M1 P - Thermomagnetic device circuit breaker

2800847

<https://www.phoenixcontact.com/in/products/2800847>



Thermomagnetic device circuit breaker, 1-pos., tripping characteristic M1 (medium-blow), 1 changeover contact, plug for base element.

CB TM1 2A M1 P - Thermomagnetic device circuit breaker

2800848

<https://www.phoenixcontact.com/in/products/2800848>



Thermomagnetic device circuit breaker, 1-pos., tripping characteristic M1 (medium-blow), 1 changeover contact, plug for base element.

CB 1/6-2/4 PT-BE - Base element

2800929

<https://www.phoenixcontact.com/in/products/2800929>



CB TM1 3A M1 P - Thermomagnetic device circuit breaker

2800849

<https://www.phoenixcontact.com/in/products/2800849>



Thermomagnetic device circuit breaker, 1-pos., tripping characteristic M1 (medium-blow), 1 changeover contact, plug for base element.

CB TM1 4A M1 P - Thermomagnetic device circuit breaker

2800850

<https://www.phoenixcontact.com/in/products/2800850>



Thermomagnetic device circuit breaker, 1-pos., tripping characteristic M1 (medium-blow), 1 changeover contact, plug for base element.

CB 1/6-2/4 PT-BE - Base element

2800929

<https://www.phoenixcontact.com/in/products/2800929>



CB TM1 5A M1 P - Thermomagnetic device circuit breaker

2800851

<https://www.phoenixcontact.com/in/products/2800851>



Thermomagnetic device circuit breaker, 1-pos., tripping characteristic M1 (medium-blow), 1 changeover contact, plug for base element.

CB TM1 6A M1 P - Thermomagnetic device circuit breaker

2800852

<https://www.phoenixcontact.com/in/products/2800852>



Thermomagnetic device circuit breaker, 1-pos., tripping characteristic M1 (medium-blow), 1 changeover contact, plug for base element.

CB 1/6-2/4 PT-BE - Base element

2800929

<https://www.phoenixcontact.com/in/products/2800929>



CB TM1 8A M1 P - Thermomagnetic device circuit breaker

2800853

<https://www.phoenixcontact.com/in/products/2800853>



Thermomagnetic device circuit breaker, 1-pos., tripping characteristic M1 (medium-blow), 1 changeover contact, plug for base element.

CB TM1 10A M1 P - Thermomagnetic device circuit breaker

2800854

<https://www.phoenixcontact.com/in/products/2800854>



Thermomagnetic device circuit breaker, 1-pos., tripping characteristic M1 (medium-blow), 1 changeover contact, plug for base element.

CB 1/6-2/4 PT-BE - Base element

2800929

<https://www.phoenixcontact.com/in/products/2800929>



CB TM1 12A M1 P - Thermomagnetic device circuit breaker

2800855

<https://www.phoenixcontact.com/in/products/2800855>



Thermomagnetic device circuit breaker, 1-pos., tripping characteristic M1 (medium-blow), 1 changeover contact, plug for base element.

CB TM1 16A M1 P - Thermomagnetic device circuit breaker

2800856

<https://www.phoenixcontact.com/in/products/2800856>



Thermomagnetic device circuit breaker, 1-pos., tripping characteristic M1 (medium-blow), 1 changeover contact, plug for base element.

CB 1/6-2/4 PT-BE - Base element

2800929

<https://www.phoenixcontact.com/in/products/2800929>



CB TM1 0.5A F1 P - Thermomagnetic device circuit breaker

2800857

<https://www.phoenixcontact.com/in/products/2800857>



Thermomagnetic device circuit breaker, 1-pos., tripping characteristic F1 (fast-blow), 1 changeover contact, plug for base element.

CB TM1 1A F1 P - Thermomagnetic device circuit breaker

2800858

<https://www.phoenixcontact.com/in/products/2800858>



Thermomagnetic device circuit breaker, 1-pos., tripping characteristic F1 (fast-blow), 1 changeover contact, plug for base element.

CB 1/6-2/4 PT-BE - Base element

2800929

<https://www.phoenixcontact.com/in/products/2800929>



CB TM1 2A F1 P - Thermomagnetic device circuit breaker

2800859

<https://www.phoenixcontact.com/in/products/2800859>



Thermomagnetic device circuit breaker, 1-pos., tripping characteristic F1 (fast-blow), 1 changeover contact, plug for base element.

CB TM1 3A F1 P - Thermomagnetic device circuit breaker

2800860

<https://www.phoenixcontact.com/in/products/2800860>



Thermomagnetic device circuit breaker, 1-pos., tripping characteristic F1 (fast-blow), 1 changeover contact, plug for base element.

CB 1/6-2/4 PT-BE - Base element

2800929

<https://www.phoenixcontact.com/in/products/2800929>



CB TM1 4A F1 P - Thermomagnetic device circuit breaker

2800861

<https://www.phoenixcontact.com/in/products/2800861>



Thermomagnetic device circuit breaker, 1-pos., tripping characteristic F1 (fast-blow), 1 changeover contact, plug for base element.

CB TM1 5A F1 P - Thermomagnetic device circuit breaker

2800862

<https://www.phoenixcontact.com/in/products/2800862>



Thermomagnetic device circuit breaker, 1-pos., tripping characteristic F1 (fast-blow), 1 changeover contact, plug for base element.

CB 1/6-2/4 PT-BE - Base element

2800929

<https://www.phoenixcontact.com/in/products/2800929>



CB TM1 6A F1 P - Thermomagnetic device circuit breaker

2800863

<https://www.phoenixcontact.com/in/products/2800863>



Thermomagnetic device circuit breaker, 1-pos., tripping characteristic F1 (fast-blow), 1 changeover contact, plug for base element.

CB TM1 8A F1 P - Thermomagnetic device circuit breaker

2800864

<https://www.phoenixcontact.com/in/products/2800864>



Thermomagnetic device circuit breaker, 1-pos., tripping characteristic F1 (fast-blow), 1 changeover contact, plug for base element.

CB 1/6-2/4 PT-BE - Base element

2800929

<https://www.phoenixcontact.com/in/products/2800929>



CB TM1 10A F1 P - Thermomagnetic device circuit breaker

2800865

<https://www.phoenixcontact.com/in/products/2800865>



Thermomagnetic device circuit breaker, 1-pos., tripping characteristic F1 (fast-blow), 1 changeover contact, plug for base element.

CB TM1 12A F1 P - Thermomagnetic device circuit breaker

2800866

<https://www.phoenixcontact.com/in/products/2800866>



Thermomagnetic device circuit breaker, 1-pos., tripping characteristic F1 (fast-blow), 1 changeover contact, plug for base element.

CB 1/6-2/4 PT-BE - Base element

2800929

<https://www.phoenixcontact.com/in/products/2800929>



CB TM1 16A F1 P - Thermomagnetic device circuit breaker

2800867

<https://www.phoenixcontact.com/in/products/2800867>



Thermomagnetic device circuit breaker, 1-pos., tripping characteristic F1 (fast-blow), 1 changeover contact, plug for base element.

CB TM2 0.5A SFB P - Thermomagnetic device circuit breaker

2800868

<https://www.phoenixcontact.com/in/products/2800868>



Thermomagnetic device circuit breaker, 2-pos., tripping characteristic SFB, 2 changeover contacts, plug for base element.

CB 1/6-2/4 PT-BE - Base element

2800929

<https://www.phoenixcontact.com/in/products/2800929>

CB TM2 1A SFB P - Thermomagnetic device circuit breaker

2800869

<https://www.phoenixcontact.com/in/products/2800869>



Thermomagnetic device circuit breaker, 2-pos., tripping characteristic SFB, 2 changeover contacts, plug for base element.

CB TM2 2A SFB P - Thermomagnetic device circuit breaker

2800870

<https://www.phoenixcontact.com/in/products/2800870>



Thermomagnetic device circuit breaker, 2-pos., tripping characteristic SFB, 2 changeover contacts, plug for base element.

CB 1/6-2/4 PT-BE - Base element

2800929

<https://www.phoenixcontact.com/in/products/2800929>

CB TM2 3A SFB P - Thermomagnetic device circuit breaker

2800871

<https://www.phoenixcontact.com/in/products/2800871>



Thermomagnetic device circuit breaker, 2-pos., tripping characteristic SFB, 2 changeover contacts, plug for base element.

CB TM2 4A SFB P - Thermomagnetic device circuit breaker

2800872

<https://www.phoenixcontact.com/in/products/2800872>



Thermomagnetic device circuit breaker, 2-pos., tripping characteristic SFB, 2 changeover contacts, plug for base element.

CB 1/6-2/4 PT-BE - Base element

2800929

<https://www.phoenixcontact.com/in/products/2800929>



CB TM2 5A SFB P - Thermomagnetic device circuit breaker

2800873

<https://www.phoenixcontact.com/in/products/2800873>



Thermomagnetic device circuit breaker, 2-pos., tripping characteristic SFB, 2 changeover contacts, plug for base element.

CB TM2 6A SFB P - Thermomagnetic device circuit breaker

2800874

<https://www.phoenixcontact.com/in/products/2800874>



Thermomagnetic device circuit breaker, 2-pos., tripping characteristic SFB, 2 changeover contacts, plug for base element.

CB 1/6-2/4 PT-BE - Base element

2800929

<https://www.phoenixcontact.com/in/products/2800929>



CB TM2 8A SFB P - Thermomagnetic device circuit breaker

2800875

<https://www.phoenixcontact.com/in/products/2800875>



Thermomagnetic device circuit breaker, 2-pos., tripping characteristic SFB, 2 changeover contacts, plug for base element.

CB TM2 10A SFB P - Thermomagnetic device circuit breaker

2800876

<https://www.phoenixcontact.com/in/products/2800876>



Thermomagnetic device circuit breaker, 2-pos., tripping characteristic SFB, 2 changeover contacts, plug for base element.

CB 1/6-2/4 PT-BE - Base element

2800929

<https://www.phoenixcontact.com/in/products/2800929>



CB TM2 12A SFB P - Thermomagnetic device circuit breaker

2800877

<https://www.phoenixcontact.com/in/products/2800877>



Thermomagnetic device circuit breaker, 2-pos., tripping characteristic SFB, 2 changeover contacts, plug for base element.

CB TM2 16A SFB P - Thermomagnetic device circuit breaker

2800878

<https://www.phoenixcontact.com/in/products/2800878>



Thermomagnetic device circuit breaker, 2-pos., tripping characteristic SFB, 2 changeover contacts, plug for base element.

CB 1/6-2/4 PT-BE - Base element

2800929

<https://www.phoenixcontact.com/in/products/2800929>



CB TM2 0.5A M1 P - Thermomagnetic device circuit breaker

2800879

<https://www.phoenixcontact.com/in/products/2800879>



Thermomagnetic device circuit breaker, 2-pos., tripping characteristic M1 (medium-blow), 2 changeover contacts, plug for base element.

CB TM2 1A M1 P - Thermomagnetic device circuit breaker

2800880

<https://www.phoenixcontact.com/in/products/2800880>



Thermomagnetic device circuit breaker, 2-pos., tripping characteristic M1 (medium-blow), 2 changeover contacts, plug for base element.

CB 1/6-2/4 PT-BE - Base element

2800929

<https://www.phoenixcontact.com/in/products/2800929>



CB TM2 2A M1 P - Thermomagnetic device circuit breaker

2800881

<https://www.phoenixcontact.com/in/products/2800881>



Thermomagnetic device circuit breaker, 2-pos., tripping characteristic M1 (medium-blow), 2 changeover contacts, plug for base element.

CB TM2 3A M1 P - Thermomagnetic device circuit breaker

2800882

<https://www.phoenixcontact.com/in/products/2800882>



Thermomagnetic device circuit breaker, 2-pos., tripping characteristic M1 (medium-blow), 2 changeover contacts, plug for base element.

CB 1/6-2/4 PT-BE - Base element

2800929

<https://www.phoenixcontact.com/in/products/2800929>



CB TM2 4A M1 P - Thermomagnetic device circuit breaker

2800883

<https://www.phoenixcontact.com/in/products/2800883>



Thermomagnetic device circuit breaker, 2-pos., tripping characteristic M1 (medium-blow), 2 changeover contacts, plug for base element.

CB TM2 5A M1 P - Thermomagnetic device circuit breaker

2800884

<https://www.phoenixcontact.com/in/products/2800884>



Thermomagnetic device circuit breaker, 2-pos., tripping characteristic M1 (medium-blow), 2 changeover contacts, plug for base element.

CB 1/6-2/4 PT-BE - Base element

2800929

<https://www.phoenixcontact.com/in/products/2800929>



CB TM2 6A M1 P - Thermomagnetic device circuit breaker

2800885

<https://www.phoenixcontact.com/in/products/2800885>



Thermomagnetic device circuit breaker, 2-pos., tripping characteristic M1 (medium-blow), 2 changeover contacts, plug for base element.

CB TM2 8A M1 P - Thermomagnetic device circuit breaker

2800886

<https://www.phoenixcontact.com/in/products/2800886>



Thermomagnetic device circuit breaker, 2-pos., tripping characteristic M1 (medium-blow), 2 changeover contacts, plug for base element.

CB 1/6-2/4 PT-BE - Base element

2800929

<https://www.phoenixcontact.com/in/products/2800929>

CB TM2 10A M1 P - Thermomagnetic device circuit breaker

2800887

<https://www.phoenixcontact.com/in/products/2800887>



Thermomagnetic device circuit breaker, 2-pos., tripping characteristic M1 (medium-blow), 2 changeover contacts, plug for base element.

CB TM2 12A M1 P - Thermomagnetic device circuit breaker

2800888

<https://www.phoenixcontact.com/in/products/2800888>



Thermomagnetic device circuit breaker, 2-pos., tripping characteristic M1 (medium-blow), 2 changeover contacts, plug for base element.

CB 1/6-2/4 PT-BE - Base element

2800929

<https://www.phoenixcontact.com/in/products/2800929>



CB TM2 16A M1 P - Thermomagnetic device circuit breaker

2800889

<https://www.phoenixcontact.com/in/products/2800889>



Thermomagnetic device circuit breaker, 2-pos., tripping characteristic M1 (medium-blow), 2 changeover contacts, plug for base element.

CB TM2 0.5A F1 P - Thermomagnetic device circuit breaker

2800890

<https://www.phoenixcontact.com/in/products/2800890>



Thermomagnetic device circuit breaker, 2-pos., tripping characteristic F1 (fast-blow), 2 changeover contacts, plug for base element.

CB 1/6-2/4 PT-BE - Base element

2800929

<https://www.phoenixcontact.com/in/products/2800929>



CB TM2 1A F1 P - Thermomagnetic device circuit breaker

2800891

<https://www.phoenixcontact.com/in/products/2800891>



Thermomagnetic device circuit breaker, 2-pos., tripping characteristic F1 (fast-blow), 2 changeover contacts, plug for base element.

CB TM2 2A F1 P - Thermomagnetic device circuit breaker

2800892

<https://www.phoenixcontact.com/in/products/2800892>



Thermomagnetic device circuit breaker, 2-pos., tripping characteristic F1 (fast-blow), 2 changeover contacts, plug for base element.

CB 1/6-2/4 PT-BE - Base element

2800929

<https://www.phoenixcontact.com/in/products/2800929>



CB TM2 3A F1 P - Thermomagnetic device circuit breaker

2800893

<https://www.phoenixcontact.com/in/products/2800893>



Thermomagnetic device circuit breaker, 2-pos., tripping characteristic F1 (fast-blow), 2 changeover contacts, plug for base element.

CB TM2 4A F1 P - Thermomagnetic device circuit breaker

2800894

<https://www.phoenixcontact.com/in/products/2800894>



Thermomagnetic device circuit breaker, 2-pos., tripping characteristic F1 (fast-blow), 2 changeover contacts, plug for base element.

CB 1/6-2/4 PT-BE - Base element

2800929

<https://www.phoenixcontact.com/in/products/2800929>



CB TM2 5A F1 P - Thermomagnetic device circuit breaker

2800895

<https://www.phoenixcontact.com/in/products/2800895>



Thermomagnetic device circuit breaker, 2-pos., tripping characteristic F1 (fast-blow), 2 changeover contacts, plug for base element.

CB TM2 6A F1 P - Thermomagnetic device circuit breaker

2800896

<https://www.phoenixcontact.com/in/products/2800896>



Thermomagnetic device circuit breaker, 2-pos., tripping characteristic F1 (fast-blow), 2 changeover contacts, plug for base element.

CB 1/6-2/4 PT-BE - Base element

2800929

<https://www.phoenixcontact.com/in/products/2800929>



CB TM2 8A F1 P - Thermomagnetic device circuit breaker

2800897

<https://www.phoenixcontact.com/in/products/2800897>



Thermomagnetic device circuit breaker, 2-pos., tripping characteristic F1 (fast-blow), 2 changeover contacts, plug for base element.

CB TM2 10A F1 P - Thermomagnetic device circuit breaker

2800898

<https://www.phoenixcontact.com/in/products/2800898>



Thermomagnetic device circuit breaker, 2-pos., tripping characteristic F1 (fast-blow), 2 changeover contacts, plug for base element.

CB 1/6-2/4 PT-BE - Base element

2800929

<https://www.phoenixcontact.com/in/products/2800929>

CB TM2 12A F1 P - Thermomagnetic device circuit breaker

2800899

<https://www.phoenixcontact.com/in/products/2800899>



Thermomagnetic device circuit breaker, 2-pos., tripping characteristic F1 (fast-blow), 2 changeover contacts, plug for base element.

CB TM2 16A F1 P - Thermomagnetic device circuit breaker

2800900

<https://www.phoenixcontact.com/in/products/2800900>



Thermomagnetic device circuit breaker, 2-pos., tripping characteristic F1 (fast-blow), 2 changeover contacts, plug for base element.

CB 1/6-2/4 PT-BE - Base element

2800929

<https://www.phoenixcontact.com/in/products/2800929>



CB E1 24DC/1A NO P - Electronic circuit breaker

2800901

<https://www.phoenixcontact.com/in/products/2800901>



Electronic circuit breaker, 1-pos., active current limitation, 1 N/O contact, plug for base element.

CB E1 24DC/2A NO P - Electronic circuit breaker

2800902

<https://www.phoenixcontact.com/in/products/2800902>



Electronic circuit breaker, 1-pos., active current limitation, 1 N/O contact, plug for base element.

CB 1/6-2/4 PT-BE - Base element

2800929

<https://www.phoenixcontact.com/in/products/2800929>



CB E1 24DC/3A NO P - Electronic circuit breaker

2800903

<https://www.phoenixcontact.com/in/products/2800903>



Electronic circuit breaker, 1-pos., active current limitation, 1 N/O contact, plug for base element.

CB E1 24DC/4A NO P - Electronic circuit breaker

2800904

<https://www.phoenixcontact.com/in/products/2800904>



Electronic circuit breaker, 1-pos., active current limitation, 1 N/O contact, plug for base element.

CB 1/6-2/4 PT-BE - Base element

2800929

<https://www.phoenixcontact.com/in/products/2800929>



CB E1 24DC/6A NO P - Electronic circuit breaker

2800905

<https://www.phoenixcontact.com/in/products/2800905>



Electronic circuit breaker, 1-pos., active current limitation, 1 N/O contact, plug for base element.

CB E1 24DC/8A NO P - Electronic circuit breaker

2800906

<https://www.phoenixcontact.com/in/products/2800906>



Electronic circuit breaker, 1-pos., active current limitation, 1 N/O contact, plug for base element.

CB 1/6-2/4 PT-BE - Base element

2800929

<https://www.phoenixcontact.com/in/products/2800929>



CB E1 24DC/10A NO P - Electronic circuit breaker

2800907

<https://www.phoenixcontact.com/in/products/2800907>



Electronic circuit breaker, 1-pos., active current limitation, 1 N/O contact, plug for base element.

CB E1 24DC/1A S-R P - Electronic circuit breaker

2800908

<https://www.phoenixcontact.com/in/products/2800908>



Electronic circuit breaker, 1-pos., active current limitation, status output and reset input, plug for base element.

CB 1/6-2/4 PT-BE - Base element

2800929

<https://www.phoenixcontact.com/in/products/2800929>



CB E1 24DC/2A S-R P - Electronic circuit breaker

2800909

<https://www.phoenixcontact.com/in/products/2800909>



Electronic circuit breaker, 1-pos., active current limitation, status output and reset input, plug for base element.

CB E1 24DC/3A S-R P - Electronic circuit breaker

2800910

<https://www.phoenixcontact.com/in/products/2800910>



Electronic circuit breaker, 1-pos., active current limitation, status output and reset input, plug for base element.

CB 1/6-2/4 PT-BE - Base element

2800929

<https://www.phoenixcontact.com/in/products/2800929>



CB E1 24DC/4A S-R P - Electronic circuit breaker

2800911

<https://www.phoenixcontact.com/in/products/2800911>



Electronic circuit breaker, 1-pos., active current limitation, status output and reset input, plug for base element.

CB E1 24DC/6A S-R P - Electronic circuit breaker

2800912

<https://www.phoenixcontact.com/in/products/2800912>



Electronic circuit breaker, 1-pos., active current limitation, status output and reset input, plug for base element.

CB 1/6-2/4 PT-BE - Base element

2800929

<https://www.phoenixcontact.com/in/products/2800929>



CB E1 24DC/8A S-R P - Electronic circuit breaker

2800913

<https://www.phoenixcontact.com/in/products/2800913>



Electronic circuit breaker, 1-pos., active current limitation, status output and reset input, plug for base element.

CB E1 24DC/10A S-R P - Electronic circuit breaker

2800914

<https://www.phoenixcontact.com/in/products/2800914>



Electronic circuit breaker, 1-pos., active current limitation, status output and reset input, plug for base element.

CB 1/6-2/4 PT-BE - Base element

2800929

<https://www.phoenixcontact.com/in/products/2800929>



CB E1 24DC/1A NC P - Electronic circuit breaker

2800915

<https://www.phoenixcontact.com/in/products/2800915>



Electronic circuit breaker, 1-pos., active current limitation, 1 N/C contact, plug for base element.

CB E1 24DC/2A NC P - Electronic circuit breaker

2800916

<https://www.phoenixcontact.com/in/products/2800916>



Electronic circuit breaker, 1-pos., active current limitation, 1 N/C contact, plug for base element.

CB 1/6-2/4 PT-BE - Base element

2800929

<https://www.phoenixcontact.com/in/products/2800929>

CB E1 24DC/3A NC P - Electronic circuit breaker

2800917

<https://www.phoenixcontact.com/in/products/2800917>



Electronic circuit breaker, 1-pos., active current limitation, 1 N/C contact, plug for base element.

CB E1 24DC/4A NC P - Electronic circuit breaker

2800918

<https://www.phoenixcontact.com/in/products/2800918>



Electronic circuit breaker, 1-pos., active current limitation, 1 N/C contact, plug for base element.

CB 1/6-2/4 PT-BE - Base element

2800929

<https://www.phoenixcontact.com/in/products/2800929>



CB E1 24DC/6A NC P - Electronic circuit breaker

2800919

<https://www.phoenixcontact.com/in/products/2800919>



Electronic circuit breaker, 1-pos., active current limitation, 1 N/C contact, plug for base element.

CB E1 24DC/1A S-C P - Electronic circuit breaker

2800922

<https://www.phoenixcontact.com/in/products/2800922>



Electronic circuit breaker, 1-pos., active current limitation, status output and control input, plug for base element.

CB 1/6-2/4 PT-BE - Base element

2800929

<https://www.phoenixcontact.com/in/products/2800929>



CB E1 24DC/2A S-C P - Electronic circuit breaker

2800923

<https://www.phoenixcontact.com/in/products/2800923>



Electronic circuit breaker, 1-pos., active current limitation, status output and control input, plug for base element.

CB E1 24DC/3A S-C P - Electronic circuit breaker

2800924

<https://www.phoenixcontact.com/in/products/2800924>



Electronic circuit breaker, 1-pos., active current limitation, status output and control input, plug for base element.

CB 1/6-2/4 PT-BE - Base element

2800929

<https://www.phoenixcontact.com/in/products/2800929>



CB E1 24DC/4A S-C P - Electronic circuit breaker

2800925

<https://www.phoenixcontact.com/in/products/2800925>



Electronic circuit breaker, 1-pos., active current limitation, status output and control input, plug for base element.

CB E1 24DC/6A S-C P - Electronic circuit breaker

2800926

<https://www.phoenixcontact.com/in/products/2800926>



Electronic circuit breaker, 1-pos., active current limitation, status output and control input, plug for base element.

CB 1/6-2/4 PT-BE - Base element

2800929

<https://www.phoenixcontact.com/in/products/2800929>



CB E1 24DC/8A S-C P - Electronic circuit breaker

2800927

<https://www.phoenixcontact.com/in/products/2800927>



Electronic circuit breaker, 1-pos., active current limitation, status output and control input, plug for base element.

CB E1 24DC/10A S-C P - Electronic circuit breaker

2800928

<https://www.phoenixcontact.com/in/products/2800928>



Electronic circuit breaker, 1-pos., active current limitation, status output and control input, plug for base element.

Accessories



Note: Applying some accessories below might limit this product.

CB 1/6-2/4 PT-BE - Base element

2800929

<https://www.phoenixcontact.com/in/products/2800929>




FBS 10-6 - Plug-in bridge

3030271

<https://www.phoenixcontact.com/in/products/3030271>

Plug-in bridge, pitch: 6.2 mm, number of positions: 10, color: red



 Max. current carrying capacity: 32 A

41 A for double bridging


FBS 2-6 GY - Plug-in bridge

3032237

<https://www.phoenixcontact.com/in/products/3032237>

Plug-in bridge, pitch: 6.2 mm, number of positions: 2, color: gray



 Max. current carrying capacity: 1 A

Signal bridging contacts 11/12/14

CB 1/6-2/4 PT-BE - Base element

2800929

<https://www.phoenixcontact.com/in/products/2800929>



FBS 2-6 - Plug-in bridge

3030336

<https://www.phoenixcontact.com/in/products/3030336>



Plug-in bridge, pitch: 6.2 mm, number of positions: 2, color: red

FBS 3-6 - Plug-in bridge

3030242

<https://www.phoenixcontact.com/in/products/3030242>



Plug-in bridge, pitch: 6.2 mm, number of positions: 3, color: red

CB 1/6-2/4 PT-BE - Base element

2800929

<https://www.phoenixcontact.com/in/products/2800929>



FBS 4-6 - Plug-in bridge

3030255

<https://www.phoenixcontact.com/in/products/3030255>



Plug-in bridge, pitch: 6.2 mm, number of positions: 4, color: red

FBS 5-6 - Plug-in bridge

3030349

<https://www.phoenixcontact.com/in/products/3030349>



Plug-in bridge, pitch: 6.2 mm, number of positions: 5, color: red

CB 1/6-2/4 PT-BE - Base element

2800929

<https://www.phoenixcontact.com/in/products/2800929>



FBS 20-6 - Plug-in bridge

3030365

<https://www.phoenixcontact.com/in/products/3030365>



Plug-in bridge, pitch: 6.2 mm, number of positions: 20, color: red

FBS 50-6 - Plug-in bridge

3032224

<https://www.phoenixcontact.com/in/products/3032224>



Plug-in bridge, pitch: 6.2 mm, number of positions: 50, color: red

CB 1/6-2/4 PT-BE - Base element

2800929

<https://www.phoenixcontact.com/in/products/2800929>



PC - Coding star

3040588

<https://www.phoenixcontact.com/in/products/3040588>



Coding star, 4-section, depth: 6 mm, width: 3 mm, height: 3 mm, color: red

ZBF 4:UNBEDRUCKT - Zack Marker strip, flat

0808587

<https://www.phoenixcontact.com/in/products/0808587>



Zack Marker strip, flat, Strip, white, unlabeled, can be labeled with: CMS-P1-PLOTTER, PLOTMARK, mounting type: snapped, for terminal block width: 4 mm, lettering field size: 4.2 x 5.2 mm, Number of individual labels: 10

CB 1/6-2/4 PT-BE - Base element

2800929

<https://www.phoenixcontact.com/in/products/2800929>



ZBF 4 CUS - Zack Marker strip, flat

0825023

<https://www.phoenixcontact.com/in/products/0825023>



Zack Marker strip, flat, can be ordered: Strip, white, labeled according to customer specifications, mounting type: snap into flat marker groove, for terminal block width: 4.2 mm, lettering field size: 4.2 x 5.2 mm, Number of individual labels: 10

ZBF 12:UNBEDRUCKT - Zack Marker strip, flat

0809735

<https://www.phoenixcontact.com/in/products/0809735>



Zack Marker strip, flat, Strip, white, unlabeled, can be labeled with: PLOTMARK, CMS-P1-PLOTTER, mounting type: snapped, for terminal block width: 12 mm, lettering field size: 5.15 x 12.15 mm, Number of individual labels: 5

CB 1/6-2/4 PT-BE - Base element

2800929

<https://www.phoenixcontact.com/in/products/2800929>



ZBF 12 CUS - Zack Marker strip, flat

0825018

<https://www.phoenixcontact.com/in/products/0825018>



Zack Marker strip, flat, can be ordered: Strip, white, labeled according to customer specifications, mounting type: snap into flat marker groove, for terminal block width: 12 mm, lettering field size: 5.15 x 12.15 mm, Number of individual labels: 5

UC-TMF 4 - Marker for terminal blocks

0818166

<https://www.phoenixcontact.com/in/products/0818166>



Marker for terminal blocks, Sheet, white, unlabeled, can be labeled with: BLUEMARK ID COLOR, BLUEMARK ID, BLUEMARK CLED, PLOTMARK, CMS-P1-PLOTTER, mounting type: snapped, for terminal block width: 4.2 mm, lettering field size: 3.6 x 5.1 mm, Number of individual labels: 120

CB 1/6-2/4 PT-BE - Base element

2800929

<https://www.phoenixcontact.com/in/products/2800929>



UC-TMF 4 CUS - Marker for terminal blocks

0824630

<https://www.phoenixcontact.com/in/products/0824630>



Marker for terminal blocks, can be ordered: by sheet, white, labeled according to customer specifications, mounting type: snap into flat marker groove, for terminal block width: 4.2 mm, lettering field size: 3.6 x 5.1 mm, Number of individual labels: 120

UC-TMF 12 - Marker for terminal blocks

0819233

<https://www.phoenixcontact.com/in/products/0819233>



Marker for terminal blocks, Sheet, white, unlabeled, can be labeled with: BLUEMARK ID COLOR, BLUEMARK ID, BLUEMARK CLED, PLOTMARK, CMS-P1-PLOTTER, mounting type: snapped, for terminal block width: 12 mm, lettering field size: 11.45 x 5.1 mm, Number of individual labels: 40

CB 1/6-2/4 PT-BE - Base element

2800929

<https://www.phoenixcontact.com/in/products/2800929>



UC-TMF 12 CUS - Marker for terminal blocks

0824670

<https://www.phoenixcontact.com/in/products/0824670>



Marker for terminal blocks, can be ordered: by sheet, white, labeled according to customer specifications, mounting type: snap into flat marker groove, for terminal block width: 12 mm, lettering field size: 11.45 x 5.1 mm, Number of individual labels: 40

UCT-TMF 4 - Marker for terminal blocks

0828742

<https://www.phoenixcontact.com/in/products/0828742>



Marker for terminal blocks, Sheet, white, unlabeled, can be labeled with: TOPMARK NEO, TOPMARK LASER, BLUEMARK ID COLOR, BLUEMARK ID, BLUEMARK CLED, THERMOMARK PRIME, THERMOMARK CARD 2.0, THERMOMARK CARD, mounting type: snapped, for terminal block width: 4.2 mm, lettering field size: 3.4 x 4.7 mm, Number of individual labels: 90

CB 1/6-2/4 PT-BE - Base element

2800929

<https://www.phoenixcontact.com/in/products/2800929>



UCT-TMF 4 CUS - Marker for terminal blocks

0829651

<https://www.phoenixcontact.com/in/products/0829651>



Marker for terminal blocks, can be ordered: by sheet, white, labeled according to customer specifications, mounting type: snap into flat marker groove, for terminal block width: 4.2 mm, lettering field size: 3.4 x 4.7 mm, Number of individual labels: 90

UCT-TMF 12 - Marker for terminal blocks

0829214

<https://www.phoenixcontact.com/in/products/0829214>



Marker for terminal blocks, Sheet, white, unlabeled, can be labeled with: TOPMARK NEO, TOPMARK LASER, BLUEMARK ID COLOR, BLUEMARK ID, BLUEMARK CLED, THERMOMARK PRIME, THERMOMARK CARD 2.0, THERMOMARK CARD, mounting type: snapped, for terminal block width: 12 mm, lettering field size: 11.2 x 4.7 mm, Number of individual labels: 30

CB 1/6-2/4 PT-BE - Base element

2800929

<https://www.phoenixcontact.com/in/products/2800929>



UCT-TMF 12 CUS - Marker for terminal blocks

0829686

<https://www.phoenixcontact.com/in/products/0829686>



Marker for terminal blocks, can be ordered: by sheet, white, labeled according to customer specifications, mounting type: snap into flat marker groove, for terminal block width: 12 mm, lettering field size: 11.2 x 4.7 mm, Number of individual labels: 30

CUTFOX-FBS - Front cutter

1212124

<https://www.phoenixcontact.com/in/products/1212124>



Cutting tool, for separating individual jumper bars from FBS ... plug-in bridges and EB ... insertion bridges

CB 1/6-2/4 PT-BE - Base element

2800929

<https://www.phoenixcontact.com/in/products/2800929>



CRIMPFOX 10S - Crimping pliers

1212045

<https://www.phoenixcontact.com/in/products/1212045>



Crimping pliers, for ferrules without insulating collar according to DIN 46228 Part 1 and ferrules with insulating collar according to DIN 46228 Part 4, 0.14 mm² ... 10 mm², unlockable pressure lock, lateral entry

Phoenix Contact 2024 © - all rights reserved

<https://www.phoenixcontact.com>

PHOENIX CONTACT (I) Pvt. Ltd.

A-58/2, Okhla Industrial Area, Phase - II, New Delhi-110 020

+91.1275.71420

info@phoenixcontact.co.in