

D-LAN-CAT.5-HC - Surge protection device



2800763

<https://www.phoenixcontact.com/in/products/2800763>

Please be informed that the data shown in this PDF document is generated from our Online Catalog. Please find the complete data in the user documentation. Our General Terms of Use for Downloads are valid.



Surge protection for data networks up to 1 Gbps. For use in Ethernet, Power over Ethernet (PoE, mode A and mode B), token ring, ISDN, and DS1. RJ45 attachment plug with separate grounding cable and snap-on foot for NS 35 DIN rails.

Commercial Data

| | |
|--------------------------------------|---------------|
| Item number | 2800763 |
| Packing unit | 1 pc |
| Minimum order quantity | 1 pc |
| Sales Key | CL3 |
| Product Key | CL3112 |
| GTIN | 4046356730280 |
| Weight per Piece (including packing) | 178 g |
| Weight per Piece (excluding packing) | 25 g |
| Customs tariff number | 85363030 |
| Country of origin | IN |

D-LAN-CAT.5-HC - Surge protection device

2800763

<https://www.phoenixcontact.com/in/products/2800763>

Technical Data

Product properties

| | |
|-------------------------|---|
| IEC test classification | B2 |
| | C2 |
| | D1 |
| | C1 |
| VDE requirement class | B2 |
| | C2 |
| | D1 |
| | C1 |
| Type | Attachment plug for DIN rail mounting |
| Product type | Surge protection for information technology |
| Product family | DATATRAB |
| Number of positions | 8 |
| Wire pairs per module | 4 |

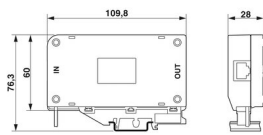
Insulation characteristics

| | |
|----------------------|----|
| Overvoltage category | II |
| Pollution degree | 2 |

Connection data

| | |
|-------------------|------|
| Connection method | RJ45 |
|-------------------|------|

Dimensions

| | |
|---------------------|--|
| Dimensional drawing |  |
| Width | 28 mm |
| Height | 110 mm |
| Depth | 60 mm (incl. NS 35 adapter) |

Material specifications

| | |
|--|--------|
| Color | gray |
| Flammability rating according to UL 94 | V-0 |
| Housing material | PC+ABS |

Mechanical properties

Mechanical data

| | |
|-----------------|----|
| Open side panel | No |
|-----------------|----|

Protective circuit

D-LAN-CAT.5-HC - Surge protection device



2800763

<https://www.phoenixcontact.com/in/products/2800763>

| | |
|---|--|
| Direction of action | Line-Line & Line-Ground/Shield |
| Maximum continuous voltage U_C | ± 5 V DC |
| Maximum continuous voltage U_C (line-line) | ± 5 V DC (± 57 V DC/PoE+) |
| Rated current | ≤ 1.5 A (25 °C) |
| Operating effective current I_C at U_C | ≤ 600 μ A |
| Nominal discharge current I_n (8/20) μ s (line-line) | 350 A |
| Nominal discharge surge current I_n (8/20) μ s (Core-Earth) | 2 kA |
| Pulse discharge current I_{imp} (10/350) μ s (line-earth) | 1 kA |
| Total discharge current I_{total} (8/20) μ s | 8 kA |
| Nominal pulse current I_{an} (10/700) μ s (line-line) | ≤ 25 A |
| Nominal pulse current I_{an} (10/700) μ s (line-earth) | ≤ 100 A |
| Nominal pulse current I_{an} (10/700) μ s (line-line) | ≤ 25 A |
| Nominal pulse current I_{an} (10/700) μ s (line-earth) | ≤ 100 A |
| Output voltage limitation at 1 kV/ μ s (line-line) spike | ≤ 25 V ≤ 90 V (PoE) |
| Output voltage limitation at 1 kV/ μ s (line-earth) spike | ≤ 750 V |
| Residual voltage at I_n (conductor-conductor) | ≤ 35 V ≤ 110 V (PoE) |
| Residual voltage at I_n (conductor-ground) | ≤ 850 V |
| Voltage protection level U_p (line-line) | ≤ 20 V (B2 - 1 kV / 25 A) ≤ 90 V (B2 - 1 kV / 25 A - PoE) ≤ 35 V (C1-700 V/350 A) ≤ 110 V (C1-700 V/350 A-PoE) |
| Voltage protection level U_p (line-earth) | ≤ 700 V (B2 - 4 kV / 100 A) ≤ 850 V (C2 - 4 kV / 2 kA) |
| Response time t_A (line-line) | ≤ 1 ns |
| Response time t_A (line-earth) | ≤ 100 ns |
| Input attenuation aE, sym. | ≤ 0.5 dB (100 MHz/100 Ω) ≤ 1 dB (100 MHz/100 Ω /Link Class E) |
| Near-end crosstalk attenuation | typ. 63 dB (1 MHz/100 Ω /Link Class E) typ. 43 dB (16 MHz / 100 Ω / Link Class E) typ. 30 dB (100 MHz/100 Ω /Link Class E) > 40 dB (100 MHz/100 Ω) |
| Cut-off frequency f_g (3 dB), sym. in 100 Ω system | 250 MHz |
| Capacity (Core-Core) | typ. 15 pF (f= 1 MHz / VR= 0 V) |
| Capacity (Core-Earth) | typ. 5 pF (f= 1 MHz / VR= 0 V) |
| Impulse durability (line-line) | B2 - 1 kV / 25 A C1 - 700 V / 350 A |
| Impulse durability (line-earth) | B2 - 4 kV / 100 A C2 - 4 kV / 2 kA D1 - 1kA |

Additional technical data

| | |
|--|------------|
| Max. total discharge current $I_{total\ max}$ (8/20) μ s | 10 kA (1x) |
|--|------------|

D-LAN-CAT.5-HC - Surge protection device



2800763

<https://www.phoenixcontact.com/in/products/2800763>

Environmental and real-life conditions

Ambient conditions

| | |
|----------------------------------|------------------|
| Degree of protection | IP20 |
| Ambient temperature (operation) | -40 °C ... 85 °C |
| Permissible humidity (operation) | 5 % ... 95 % |

Standards and regulations

| | |
|-----------------------|----|
| VDE requirement class | B2 |
| | C2 |
| | D1 |
| | C1 |

Air clearances and creepage distances

| | |
|--------------------------|------------------------|
| Standards/regulations | VDE 0110-1 / IEC 60664 |
| Standards/specifications | IEC 61643-21/A1 |
| Standards/specifications | GB/T 18802.21 |
| Standards/specifications | EN 61643-21/A1 |
| Standards/specifications | IEC 61643-21 |

Mounting

| | |
|---------------|---|
| Mounting type | Connection-specific attachment plug and DIN rail, 35 mm |
|---------------|---|

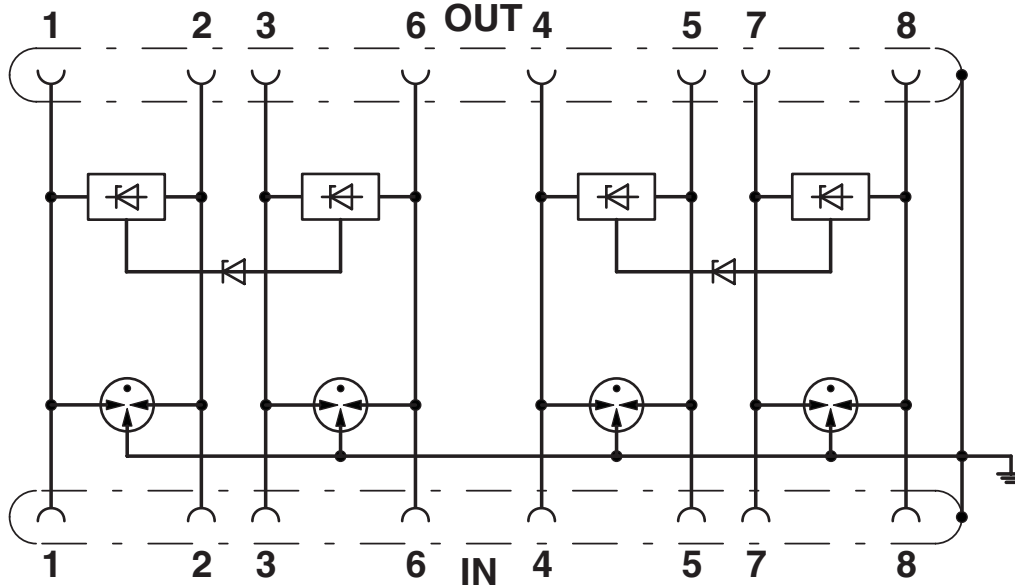
D-LAN-CAT.5-HC - Surge protection device

2800763

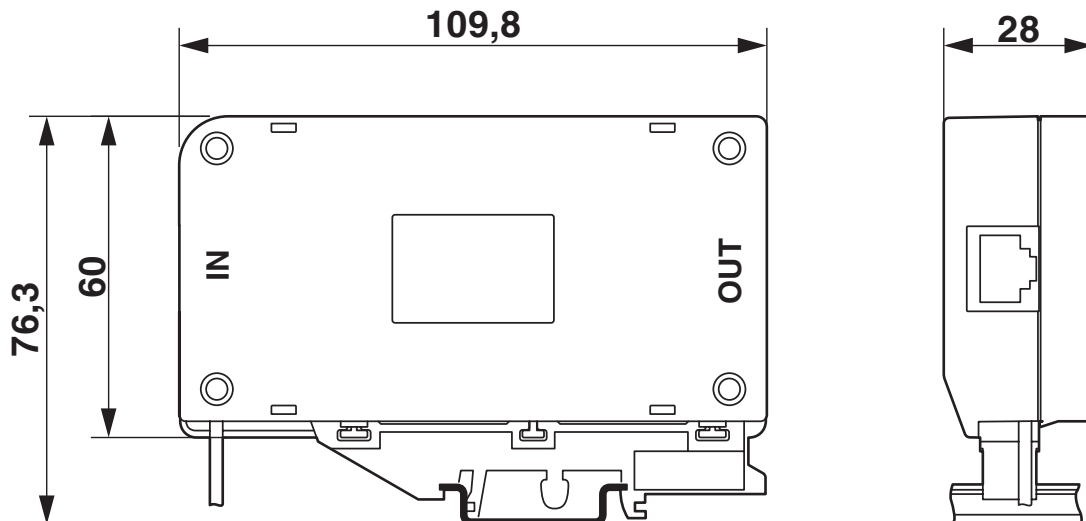
<https://www.phoenixcontact.com/in/products/2800763>

Drawings

Circuit diagram



Dimensional drawing



D-LAN-CAT.5-HC - Surge protection device

2800763

<https://www.phoenixcontact.com/in/products/2800763>



Approvals



UL Listed

Approval ID: FILE E 138168

D-LAN-CAT.5-HC - Surge protection device



2800763

<https://www.phoenixcontact.com/in/products/2800763>

Classifications

ECLASS

ECLASS-11.0

27130807

ETIM

ETIM 8.0

EC000943

UNSPSC

UNSPSC 21.0

39121600

D-LAN-CAT.5-HC - Surge protection device

2800763

<https://www.phoenixcontact.com/in/products/2800763>



Environmental Product Compliance

REACH SVHC

Lead 7439-92-1

D-LAN-CAT.5-HC - Surge protection device

2800763

<https://www.phoenixcontact.com/in/products/2800763>



Accessories

FL CAT6 PATCH 0,5 - Patch cable

2891288

<https://www.phoenixcontact.com/in/products/2891288>



Patch cable, CAT6, pre-assembled, 0.5 m

FL CAT6 PATCH 1,0 - Patch cable

2891385

<https://www.phoenixcontact.com/in/products/2891385>



Patch cable, CAT6, pre-assembled, 1.0 m

D-LAN-CAT.5-HC - Surge protection device

2800763

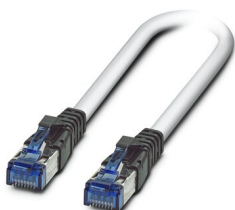
<https://www.phoenixcontact.com/in/products/2800763>



FL CAT6 PATCH 2,0 - Patch cable

2891589

<https://www.phoenixcontact.com/in/products/2891589>



Patch cable, CAT6, pre-assembled, 2.0 m

Phoenix Contact 2023 © - all rights reserved

<https://www.phoenixcontact.com>

PHOENIX CONTACT (I) Pvt. Ltd.

A-58/2, Okhla Industrial Area, Phase - II, New Delhi-110 020

+91.1275.71420

info@phoenixcontact.co.in