

# FLT 35 CTRL-2.0/I - Type 1+2 combined lightning current and surge arrester



2800115

<https://www.phoenixcontact.com/in/products/2800115>

Please be informed that the data shown in this PDF document is generated from our Online Catalog. Please find the complete data in the user documentation. Our General Terms of Use for Downloads are valid.



Type 1/Class I/B arrester (lightning current arrester) with encapsulated arc chopping spark gap and ignition electronics with control lamp, single-channel. Protection level: 2 kV. Housing width: 17.5 mm (1 pitch)

## Commercial Data

Item number	2800115
Packing unit	1 pc
Minimum order quantity	1 pc
Note	Made to Order (non-returnable)
Sales Key	CL1
Product Key	CL1122
Catalog Page	Page 19 (TT-2009)
GTIN	4046356480000
Weight per Piece (including packing)	189.7 g
Weight per Piece (excluding packing)	189.7 g
Customs tariff number	85363010
Country of origin	IN

# FLT 35 CTRL-2.0/I - Type 1+2 combined lightning current and surge arrester



2800115

<https://www.phoenixcontact.com/in/products/2800115>

## Technical Data

### Notes

General	A product with the same shape, e.g. FLT...N/PE or VAL-MS, must be installed on the right side of the FLT 35 CTRL-2.0.
Trade restriction	
CE note	The products are offered exclusively for export outside the EU and the European Economic Area.

### Product properties

IEC test classification	I
	T1
EN type	T1
IEC power supply system	TT
	TN-C
	TN-S
Type	DIN rail module, one-piece
Product type	Combination type
Number of positions	1
Surge protection fault message	optical
Insulation characteristics	
Overvoltage category	III
Pollution degree	2

### Electrical properties

Nominal frequency $f_N$	50 Hz
	60 Hz
Nominal voltage $U_N$	230 V AC (400 V AC)

### Connection data

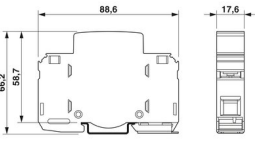
Connection method	Screw connection
Screw thread	M5
Tightening torque, min	4.5 Nm
Stripping length	14.5 mm
Conductor cross section flexible min.	0.5 mm <sup>2</sup>
Conductor cross section flexible max.	25 mm <sup>2</sup>
Conductor cross section, rigid min.	0.5 mm <sup>2</sup>
Conductor cross section, rigid max.	35 mm <sup>2</sup>

### Dimensions

# FLT 35 CTRL-2.0/I - Type 1+2 combined lightning current and surge arrester

2800115

<https://www.phoenixcontact.com/in/products/2800115>

Dimensional drawing	
Width	17.6 mm
Height	88.6 mm
Depth	66.2 mm
Horizontal pitch	1 Div.

## Material specifications

Color	black
Flammability rating according to UL 94	V0
Housing material	PA-GF

## Mechanical properties

### Mechanical data

Open side panel	No
-----------------	----

## Protective circuit

Direction of action	1L-N/PE
Nominal frequency $f_N$	50 Hz
	60 Hz
Maximum continuous voltage $U_C$	260 V AC
Maximum continuous operating voltage $U_C$ (L-N)	260 V AC
Maximum continuous operating voltage $U_C$ (L-PEN)	260 V AC
Residual current $I_{PE}$	$\leq 3$ mA
Standby power consumption $P_C$	$\leq 0.78$ VA
Nominal discharge current $I_n$ (8/20) $\mu$ s	35 kA
Nominal discharge current $I_n$ (8/20) $\mu$ s (L-N)	35 kA
Nominal discharge current $I_n$ (8/20) $\mu$ s (L-PEN)	35 kA
Maximum discharge current $I_{max}$ (8/20) $\mu$ s	35 kA
Impulse discharge current (10/350) $\mu$ s, charge	17.5 As
Impulse discharge current (10/350) $\mu$ s, specific energy	306 kJ/ $\Omega$
Impulse discharge current (10/350) $\mu$ s, peak value $I_{imp}$	35 kA
Follow current quenching capacity $I_{fi}$ (L-N)	3 kA (260 V AC)
Follow current quenching capacity $I_{fi}$ (L-PEN)	3 kA (260 V AC)
Voltage protection level $U_p$	$\leq 2$ kV
Voltage protection level $U_p$ (L-N)	$\leq 2$ kV
Voltage protection level $U_p$ (L-PEN)	$\leq 2$ kV
Front of wave sparkover voltage at 6 kV (1.2/50) $\mu$ s	$\leq 2$ kV
Response time $t_A$	$\leq 100$ ns

# FLT 35 CTRL-2.0/I - Type 1+2 combined lightning current and surge arrester



2800115

<https://www.phoenixcontact.com/in/products/2800115>

Response time $t_A$ (L-N)	$\leq 100$ ns
Response time $t_A$ (L-PEN)	$\leq 100$ ns
Max. backup fuse with branch wiring	400 A (gL)

## Environmental and real-life conditions

### Ambient conditions

Degree of protection	IP20
Ambient temperature (operation)	-40 °C ... 85 °C
Permissible humidity (operation)	$\leq 95$ %

## Standards and regulations

### Air clearances and creepage distances

Standards/regulations	EN 60664-1 / EN 61643-11
-----------------------	--------------------------

### Standards

Standards/regulations	IEC 61643-1
	DIN EN 61643-11
	DIN EN 61643-11/A11
Standards/specifications	IEC 61643-1
Standards/specifications	DIN EN 61643-11
Standards/specifications	DIN EN 61643-11/A11

## Mounting

Mounting type	DIN rail: 35 mm
---------------	-----------------

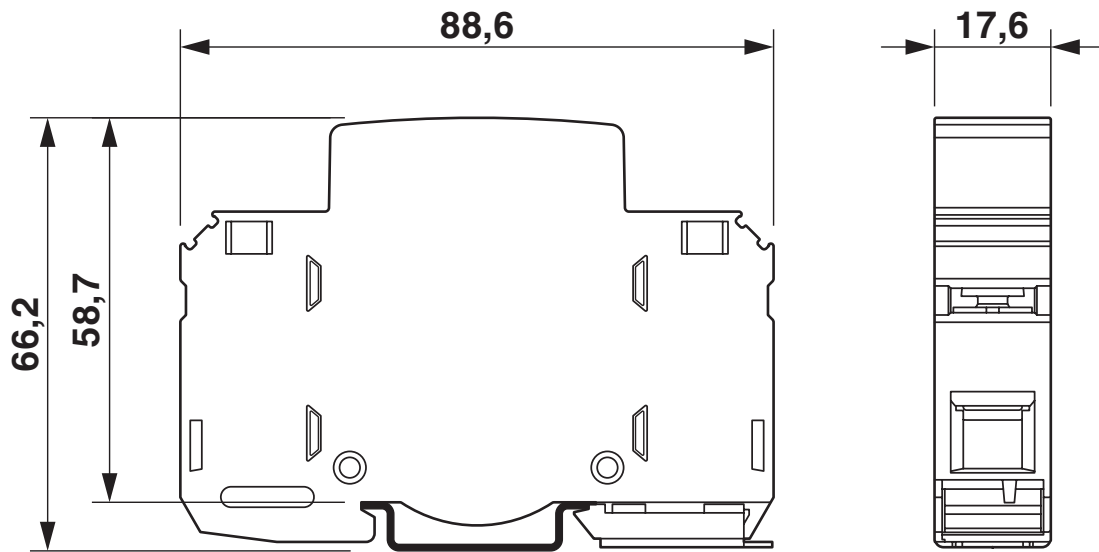
# FLT 35 CTRL-2.0/I - Type 1+2 combined lightning current and surge arrester

2800115

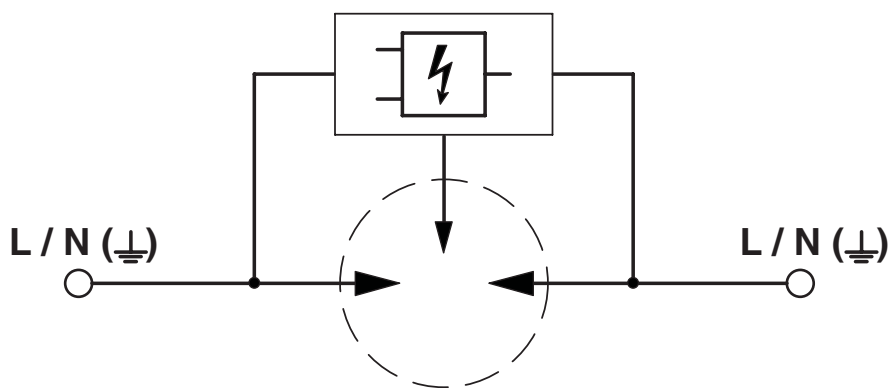
<https://www.phoenixcontact.com/in/products/2800115>

## Drawings

Dimensional drawing



Circuit diagram



# FLT 35 CTRL-2.0/I - Type 1+2 combined lightning current and surge arrester



2800115

<https://www.phoenixcontact.com/in/products/2800115>

## Approvals



**EAC**

Approval ID: RU C-DE.\*09.B.00169

# FLT 35 CTRL-2.0/I - Type 1+2 combined lightning current and surge arrester



2800115

<https://www.phoenixcontact.com/in/products/2800115>

## Environmental Product Compliance

REACH SVHC	Lead 7439-92-1
	Hexahydromethylphthalic anhydride
China RoHS	Environmentally Friendly Use Period = 50 years
	For information on hazardous substances, refer to the manufacturer's declaration available under "Downloads"

# FLT 35 CTRL-2.0/I - Type 1+2 combined lightning current and surge arrester

2800115

<https://www.phoenixcontact.com/in/products/2800115>

## Accessories

### CLIPFIX 35 - End clamp

3022218

<https://www.phoenixcontact.com/in/products/3022218>



Quick mounting end clamp for NS 35/7,5 DIN rail or NS 35/15 DIN rail, with marking option, width: 9.5 mm, color: gray

---

### B-STIFT - Marker pen

1051993

<https://www.phoenixcontact.com/in/products/1051993>



Marker pen, for manual labeling of unprinted Zack strips, smear-proof and waterproof, line thickness 0.5 mm



# FLT 35 CTRL-2.0/I - Type 1+2 combined lightning current and surge arrester

2800115

<https://www.phoenixcontact.com/in/products/2800115>

## ZBN 18,LGS:ERDE - Marker for terminal blocks

2749589

<https://www.phoenixcontact.com/in/products/2749589>



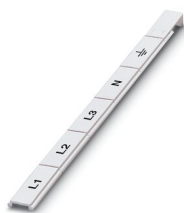
Marker for terminal blocks, Strip, white, labeled, horizontal: Grounding symbol, mounting type: snapped, for terminal block width: 18 mm, lettering field size: 18 x 5 mm, Number of individual labels: 5

---

## ZBN 18,LGS:L1-N,ERDE - Marker for terminal blocks

2749576

<https://www.phoenixcontact.com/in/products/2749576>



Marker for terminal blocks, Strip, white, labeled, horizontal: L1, L2, L3, N, GND, mounting type: snapped, for terminal block width: 18 mm, lettering field size: 18 x 5 mm, Number of individual labels: 5

# FLT 35 CTRL-2.0/I - Type 1+2 combined lightning current and surge arrester



2800115

<https://www.phoenixcontact.com/in/products/2800115>

## ZBN 18:UNBEDRUCKT - Zack marker strip

2809128

<https://www.phoenixcontact.com/in/products/2809128>



Zack marker strip, Strip, white, unlabeled, can be labeled with: CMS-P1-PLOTTER, PLOTMARK, mounting type: snapped, for terminal block width: 18 mm, lettering field size: 18 x 5 mm, Number of individual labels: 5

---

Phoenix Contact 2023 © - all rights reserved  
<https://www.phoenixcontact.com>

PHOENIX CONTACT (I) Pvt. Ltd.  
A-58/2, Okhla Industrial Area, Phase - II, New Delhi-110 020

+91.1275.71420  
[info@phoenixcontact.co.in](mailto:info@phoenixcontact.co.in)