

# VAL-MS 230 ST - Type 2 surge protection plug



2798844

<https://www.phoenixcontact.com/in/products/2798844>

Please be informed that the data shown in this PDF document is generated from our Online Catalog. Please find the complete data in the user documentation. Our General Terms of Use for Downloads are valid.



Surge protection connector type 2 with high-capacity varistor for VAL-MS base element, thermal monitoring, visual fault warning. Design: 230 V AC

## Your advantages

- Quality proven millions of times over in the widest range of applications
- Rapid installation with bridges, thanks to industry-standard overall width of 1 HP
- Easy testing and insulation measurement, thanks to pluggable protection modules
- Wide range of applications due to various nominal voltages
- High degree of modularity provides individual solutions for every application

## Commercial Data

Item number	2798844
Packing unit	10 pc
Minimum order quantity	1 pc
Sales Key	CL1
Product Key	CL1321
Catalog Page	Page 67 (C-4-2019)
GTIN	4017918073947
Weight per Piece (including packing)	42.52 g
Weight per Piece (excluding packing)	41.1 g
Customs tariff number	85363010
Country of origin	IN

# VAL-MS 230 ST - Type 2 surge protection plug

2798844

<https://www.phoenixcontact.com/in/products/2798844>

## Technical Data

### Product properties

IEC test classification	II
	T2
EN type	T2
IEC power supply system	TN
	TT
Type	DIN rail module, two-section, divisible
Product type	Replacement plug
Product family	VALVETRAB MS
Number of positions	1
Surge protection fault message	optical
Arrester can be tested with CHECKMASTER from software version:	From SW rev. 1.10

### Insulation characteristics

Overvoltage category	III
Pollution degree	2

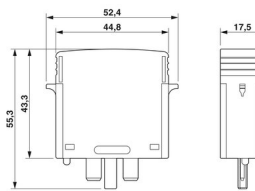
### Electrical properties

Nominal frequency $f_N$	50 Hz (60 Hz)
-------------------------	---------------

### Connection data

Connection method	pluggable
-------------------	-----------

### Dimensions

Dimensional drawing	
Width	17.5 mm
Height	52.4 mm
Depth	55.3 mm
Horizontal pitch	1 Div.

### Material specifications

Color	jet black RAL 9005
Flammability rating according to UL 94	V-0
CTI value of material	600
Insulating material	PA 6.6
Material group	I

# VAL-MS 230 ST - Type 2 surge protection plug



2798844

<https://www.phoenixcontact.com/in/products/2798844>

Housing material	PA 6.6
------------------	--------

## Protective circuit

Mode of protection	L-N L-PEN
Direction of action	1L-N/PE
Nominal voltage $U_N$	240/415 V AC (TN) 240/415 V AC (TT)
Nominal frequency $f_N$	50 Hz (60 Hz)
Maximum continuous voltage $U_C$	275 V AC
Residual current $I_{PE}$	$\leq 0.45$ mA
Standby power consumption $P_C$	$\leq 120$ mVA
Nominal discharge current $I_n$ (8/20) $\mu$ s	20 kA
Maximum discharge current $I_{max}$ (8/20) $\mu$ s	40 kA
Short-circuit current rating $I_{SCCR}$	25 kA
Voltage protection level $U_p$	$\leq 1.35$ kV
Residual voltage $U_{res}$	$\leq 1.35$ kV (at $I_n$ ) $\leq 1.1$ kV (at 10 kA) $\leq 1$ kV (at 5 kA) $\leq 0.9$ kV (at 3 kA)
TOV behavior at $U_T$	335 V AC (5 s / withstand mode) 440 V AC (120 min / safe failure mode)
Response time $t_A$	$\leq 25$ ns
Max. backup fuse with branch wiring	125 A (gG)

## Environmental and real-life conditions

### Ambient conditions

Degree of protection	IP20
Ambient temperature (operation)	-40 °C ... 80 °C
Ambient temperature (storage/transport)	-40 °C ... 80 °C
Altitude	$\leq 2000$ m (amsl (above mean sea level))
Permissible humidity (operation)	5 % ... 95 %
Shock (operation)	25g (Half-sine / 11 ms / 3x $\pm$ X, $\pm$ Y, $\pm$ Z)
Vibration (operation)	5g (10 ... 500 Hz / 2.5 h / X, Y, Z)

## Approvals

### UL specifications

Maximum continuous operating voltage MCOV (L-N)	275 V AC
Nominal discharge current $I_n$ (L-N)	20 kA
Mode of protection	L-N
Nominal voltage	230 V AC
Power distribution system	Single phase
Nominal frequency	50/60 Hz

# VAL-MS 230 ST - Type 2 surge protection plug



2798844

<https://www.phoenixcontact.com/in/products/2798844>

Measured limiting voltage MLV (L-N)	1910 V
SPD Type	4CA

## Standards and regulations

Standards/specifications	IEC 61643-11
Standards/specifications	EN 61643-11

## Mounting

Mounting type	on base element
---------------	-----------------

# VAL-MS 230 ST - Type 2 surge protection plug

2798844

<https://www.phoenixcontact.com/in/products/2798844>

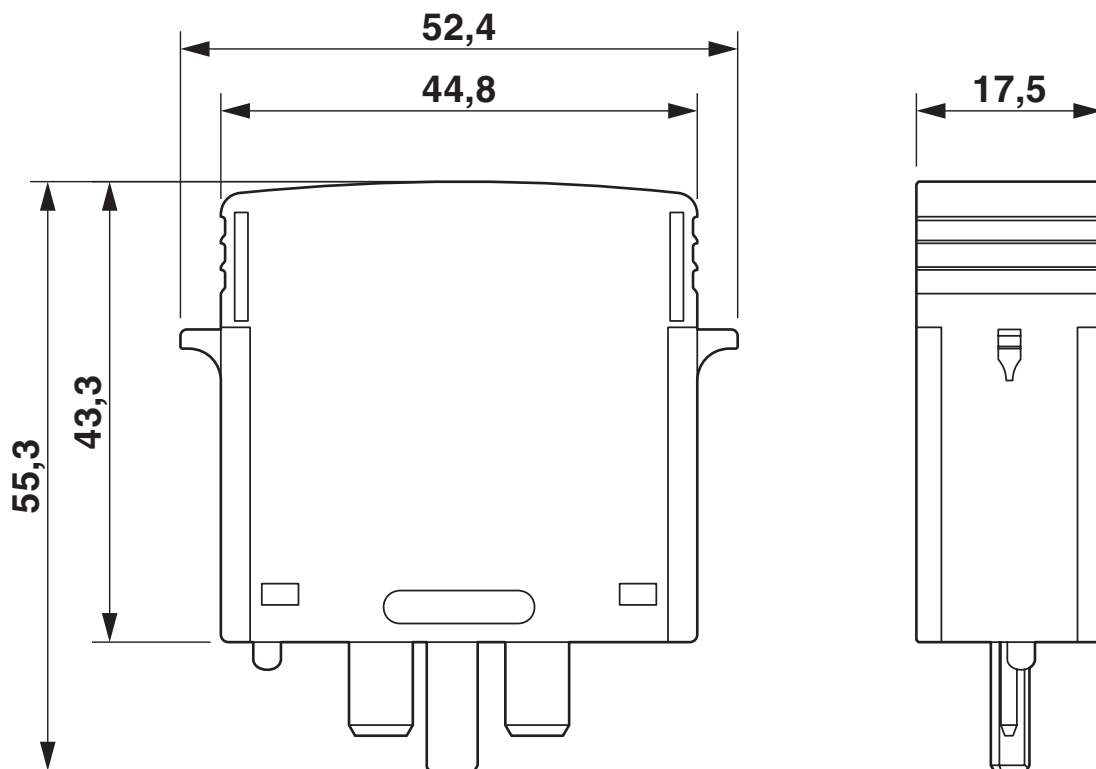


## Drawings

Circuit diagram



Dimensional drawing



# VAL-MS 230 ST - Type 2 surge protection plug



2798844

<https://www.phoenixcontact.com/in/products/2798844>

## Approvals



**cUL Recognized**

Approval ID: FILE E 330181



**UL Recognized**

Approval ID: FILE E 330181



**IECEE CB Scheme**

Approval ID: AT 2905/M1



**EAC**

Approval ID: EAC-Zulassung



**KEMA-KEUR**

Approval ID: 71-113273 REV.1



**DNV GL**

Approval ID: TAE000041M



**EAC**

Approval ID: RU C-DE.\*09.B.00169



**CSA**

Approval ID: 13631



**ÖVE**

Approval ID: 18583-001-16



**ÖVE**

Approval ID: 18583-001-17

# VAL-MS 230 ST - Type 2 surge protection plug



2798844

<https://www.phoenixcontact.com/in/products/2798844>

## Classifications

### ECLASS

ECLASS-11.0

27130890

### ETIM

ETIM 8.0

EC002496

### UNSPSC

UNSPSC 21.0

39121600

# VAL-MS 230 ST - Type 2 surge protection plug



2798844

<https://www.phoenixcontact.com/in/products/2798844>

## Environmental Product Compliance

China RoHS	Environmentally friendly use period: unlimited = EFUP-e
	No hazardous substances above threshold values



# VAL-MS 230 ST - Type 2 surge protection plug

2798844

<https://www.phoenixcontact.com/in/products/2798844>



## Accessories

### ZBN 18,LGS:ERDE - Marker for terminal blocks

2749589

<https://www.phoenixcontact.com/in/products/2749589>



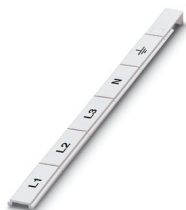
Marker for terminal blocks, Strip, white, labeled, horizontal: Grounding symbol, mounting type: snapped, for terminal block width: 18 mm, lettering field size: 18 x 5 mm, Number of individual labels: 5

---

### ZBN 18,LGS:L1-N,ERDE - Marker for terminal blocks

2749576

<https://www.phoenixcontact.com/in/products/2749576>



Marker for terminal blocks, Strip, white, labeled, horizontal: L1, L2, L3, N, GND, mounting type: snapped, for terminal block width: 18 mm, lettering field size: 18 x 5 mm, Number of individual labels: 5

# VAL-MS 230 ST - Type 2 surge protection plug

2798844

<https://www.phoenixcontact.com/in/products/2798844>



## ZBN 18:UNBEDRUCKT - Zack marker strip

2809128

<https://www.phoenixcontact.com/in/products/2809128>



Zack marker strip, Strip, white, unlabeled, can be labeled with: CMS-P1-PLOTTER, PLOTMARK, mounting type: snapped, for terminal block width: 18 mm, lettering field size: 18 x 5 mm, Number of individual labels: 5

---

## B-STIFT - Marker pen

1051993

<https://www.phoenixcontact.com/in/products/1051993>



Marker pen, for manual labeling of unprinted Zack strips, smear-proof and waterproof, line thickness 0.5 mm

# VAL-MS 230 ST - Type 2 surge protection plug

2798844

<https://www.phoenixcontact.com/in/products/2798844>



## VAL-MS BE - Type 2 surge protection base element

2817741

<https://www.phoenixcontact.com/in/products/2817741>

Base element for type 2 arresters of the VALVETRAB MS series of products.  
Design: 1-channel



## VAL-MS BE/FM - Type 2 surge protection base element

2817738

<https://www.phoenixcontact.com/in/products/2817738>

Base element for type 2 arresters of the VALVETRAB MS series of products,  
with remote indication contact. Design: 1-channel



Phoenix Contact 2023 © - all rights reserved  
<https://www.phoenixcontact.com>

PHOENIX CONTACT (I) Pvt. Ltd.  
A-58/2, Okhla Industrial Area, Phase - II, New Delhi-110 020

+91.1275.71420  
[info@phoenixcontact.co.in](mailto:info@phoenixcontact.co.in)