

# C-UFB- 5DC/E - Surge protection device



2782300

<https://www.phoenixcontact.com/in/products/2782300>

Please be informed that the data shown in this PDF document is generated from our Online Catalog. Please find the complete data in the user documentation. Our General Terms of Use for Downloads are valid.



Attachment plug with surge voltage coarse and fine protection, for coaxial signal interfaces with floating shield, signal voltage 5 V. Connection: BNC socket/plug

## Your advantages

- Easy installation with system-compliant connection
- Low signal interference with adapted protective circuit
- Limitation of energy-rich pulses with powerful protection

## Commercial Data

Item number	2782300
Packing unit	10 pc
Minimum order quantity	10 pc
Note	Made to Order (non-returnable)
Sales Key	CL3
Product Key	CL3313
Catalog Page	Page 201 (C-4-2019)
GTIN	4017918069445
Weight per Piece (including packing)	110.4 g
Weight per Piece (excluding packing)	106.616 g
Customs tariff number	85363010
Country of origin	DE

# C-UFB- 5DC/E - Surge protection device

2782300

<https://www.phoenixcontact.com/in/products/2782300>

## Technical Data

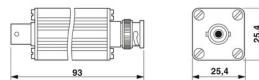
### Product properties

IEC test classification	C2
	C3
	D1
Type	Attachment plug
Product type	Surge protection for transceiver systems
Surge protection fault message	none

### Connection data

Connection method	BNC 50 $\Omega$
-------------------	-----------------

### Dimensions

Dimensional drawing	
Width	25.4 mm
Height	93 mm
Length	25.4 mm

### Material specifications

Color	black
Housing material	Aluminum

### Mechanical properties

#### Mechanical data

Open side panel	No
-----------------	----

### Protective circuit

Direction of action	Line-Shield/Earth Ground
Maximum continuous voltage $U_C$	5 V DC
Rated current	185 mA (25 °C)
Operating effective current $I_C$ at $U_C$	$\leq 300 \mu\text{A}$
Residual current $I_{PE}$	$\leq 2 \mu\text{A}$
Nominal discharge surge current $I_n$ (8/20) $\mu\text{s}$ (Core-Earth)	10 kA
Nominal discharge surge current $I_n$ (8/20) $\mu\text{s}$ (core-shield)	10 kA
Total discharge current $I_{total}$ (8/20) $\mu\text{s}$	20 kA
Output voltage limitation at 1 kV/ $\mu\text{s}$ (line-earth) spike	$\leq 500 \text{ V}$
Output voltage limitation at 1 kV/ $\mu\text{s}$ (line-shield) spike	$\leq 35 \text{ V}$

# C-UFB- 5DC/E - Surge protection device



2782300

<https://www.phoenixcontact.com/in/products/2782300>

Output voltage limitation at 1 kV/ $\mu$ s (line-shield) static	$\leq 15$ V
Residual voltage at $I_n$ (conductor-shield)	$\leq 10$ V
Voltage protection level $U_p$ (line-earth)	$\leq 500$ V (C1 - 1 kV / 500 A)
	$\leq 500$ V (C3 - 10 A)
Voltage protection level $U_p$ (line-shield)	$\leq 25$ V (C3 - 10 A)
	$\leq 55$ V (C1 - 1 kV / 500 A)
Response time $t_A$ (line-earth)	$\leq 100$ ns
Response time $t_A$ (line-shield)	$\leq 500$ ns
Input attenuation aE, asym.	typ. 2 dB ( $\leq 20$ MHz)
Cut-off frequency $f_g$ (3 dB), asym. (shield) in 50 $\Omega$ system	typ. 90 MHz
Surge protection fault message	none
Impulse durability (line-earth)	C2 - 10 kV / 5 kA
	D1 - 2.5 kA

## Environmental and real-life conditions

### Ambient conditions

Degree of protection	IP20
Ambient temperature (operation)	-40 °C ... 80 °C

## Standards and regulations

### Air clearances and creepage distances

Standards/regulations	VDE 0110-1 / IEC 60664-1
-----------------------	--------------------------

### Standards Information technology specification

Standards/regulations	IEC 61643-21
	IEC 61643-21
Standards/specifications	IEC 61643-21

## Mounting

Mounting type	Connection-specific intermediate plugging
---------------	---

# C-UFB- 5DC/E - Surge protection device

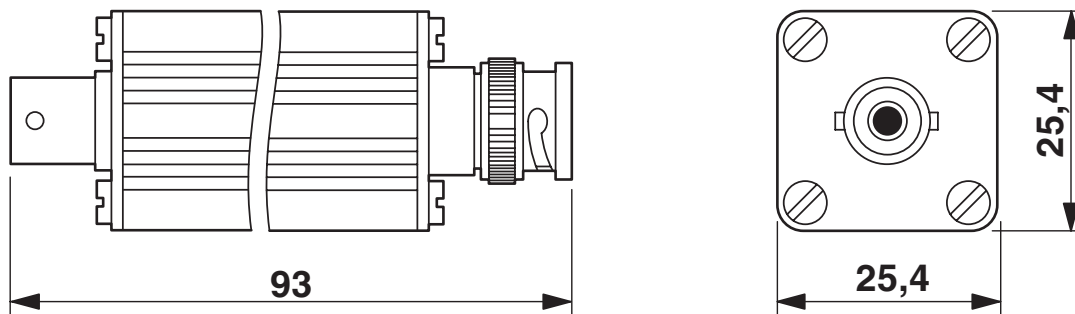
2782300

<https://www.phoenixcontact.com/in/products/2782300>



## Drawings

### Dimensional drawing

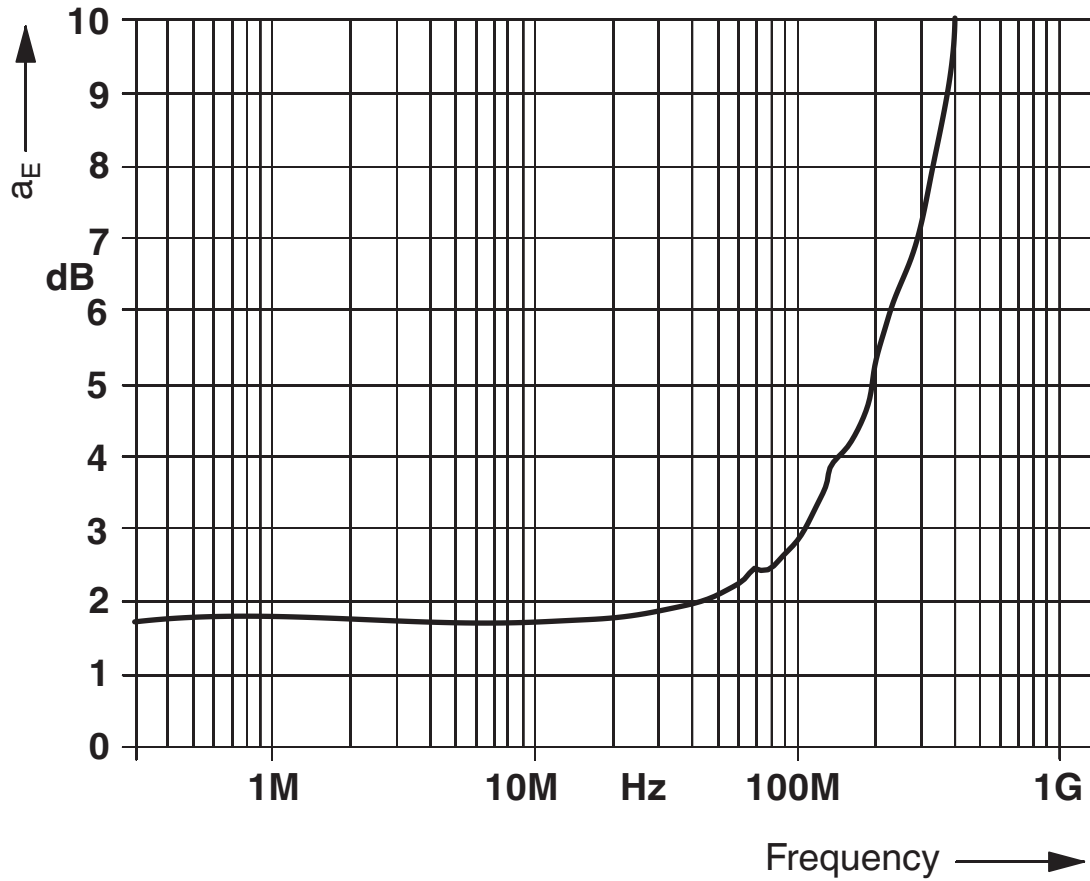


# C-UFB- 5DC/E - Surge protection device

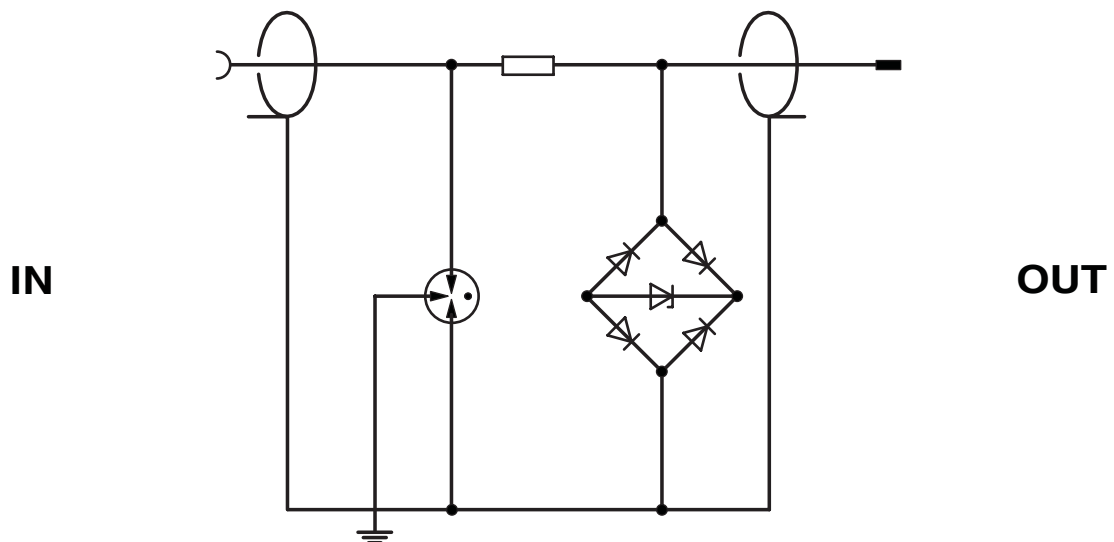
2782300

<https://www.phoenixcontact.com/in/products/2782300>

Diagram



Circuit diagram



# C-UFB- 5DC/E - Surge protection device



2782300

<https://www.phoenixcontact.com/in/products/2782300>

## Approvals



**EAC**

Approval ID: RU C-DE.\*09.B.00169

# C-UFB- 5DC/E - Surge protection device



2782300

<https://www.phoenixcontact.com/in/products/2782300>

## Classifications

### ECLASS

ECLASS-11.0

27130807

### ETIM

ETIM 8.0

EC000943

### UNSPSC

UNSPSC 21.0

39121600

# C-UFB- 5DC/E - Surge protection device



2782300

<https://www.phoenixcontact.com/in/products/2782300>

## Environmental Product Compliance

REACH SVHC	Lead 7439-92-1
China RoHS	Environmentally Friendly Use Period = 50 years
	For information on hazardous substances, refer to the manufacturer's declaration available under "Downloads"



# C-UFB- 5DC/E - Surge protection device

2782300

<https://www.phoenixcontact.com/in/products/2782300>

## Accessories

### BNC-V 50 - Plug/adaptor

2805041

<https://www.phoenixcontact.com/in/products/2805041>



BNC connector, single-level, for mounting on NS 32 or NS 35/7.5, wave impedance: 50 Ohm

---

### BNC-DV 50 - Plug/adaptor

2805038

<https://www.phoenixcontact.com/in/products/2805038>



BNC connector, double-level, for mounting on NS 32 or NS 35/7.5, wave impedance: 50 Ohm

---

Phoenix Contact 2023 © - all rights reserved

<https://www.phoenixcontact.com>

PHOENIX CONTACT (I) Pvt. Ltd.

A-58/2, Okhla Industrial Area, Phase - II, New Delhi-110 020

+91.1275.71420

[info@phoenixcontact.co.in](mailto:info@phoenixcontact.co.in)