

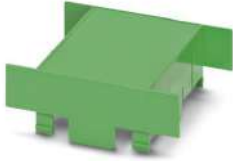
EG 67,5-A/ABS GN - Upper housing part

2764357

<https://www.phoenixcontact.com/in/products/2764357>

Please be informed that the data shown in this PDF document is generated from our online catalog. Please find the complete data in the user documentation. Our general terms of use for downloads are valid.

Component housing, Cover, for two-sided connection, width: 67.5 mm, height: 75 mm, color: green (similar RAL 6021)



Your advantages

- Tool-free mounting

Commercial data

Item number	2764357
Packing unit	12 pc
Minimum order quantity	48 pc
Sales key	ACH
Product key	ACHCGA
Catalog page	Page 719 (C-1-2013)
GTIN	4017918099503
Weight per piece (including packing)	19.19 g
Weight per piece (excluding packing)	19.566 g
Customs tariff number	85389099
Country of origin	PL

EG 67,5-A/ABS GN - Upper housing part

2764357

<https://www.phoenixcontact.com/in/products/2764357>

Technical data

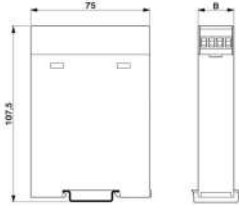
Product properties

Product type	Upper housing part
Housing type	Component housing
Housing series	EG
Product family	EG...A
Number of positions	26
Type	Cover, for two-sided connection
Ventilation openings present	no

Data management status

Article revision	01
------------------	----

Dimensions

Dimensional drawing	
Width	67.5 mm
Height	75 mm

PCB design

PCB thickness	1.4 mm ... 1.8 mm
---------------	-------------------

Material specifications

Color (Housing)	green (RAL 6021)
Flammability rating according to UL 94	HB
Housing material	ABS
Surface characteristics	untreated

Environmental and real-life conditions

Ambient conditions

Degree of protection	IP20
Max. IP code to attain	IP20
Ambient temperature (operation)	-40 °C ... 80 °C (depending on power dissipation)
Ambient temperature (storage/transport)	-40 °C ... 55 °C
Ambient temperature (assembly)	-5 °C ... 80 °C

PCB data

Thickness of the PCB	1.4 mm ... 1.8 mm
----------------------	-------------------

EG 67,5-A/ABS GN - Upper housing part



2764357

<https://www.phoenixcontact.com/in/products/2764357>

Mounting

Mounting type	Snap in
---------------	---------

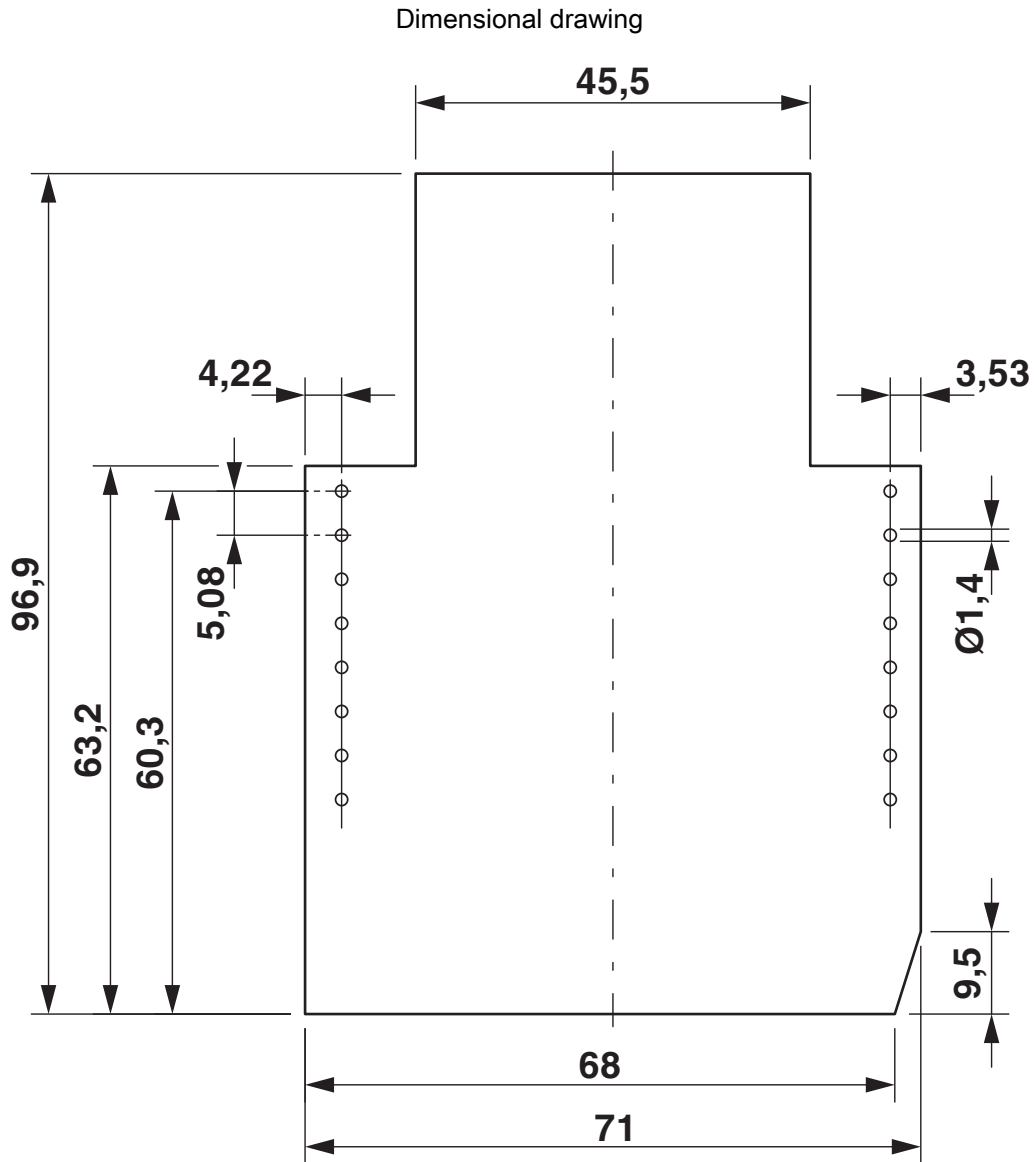
EG 67,5-A/ABS GN - Upper housing part



2764357

<https://www.phoenixcontact.com/in/products/2764357>

Drawings

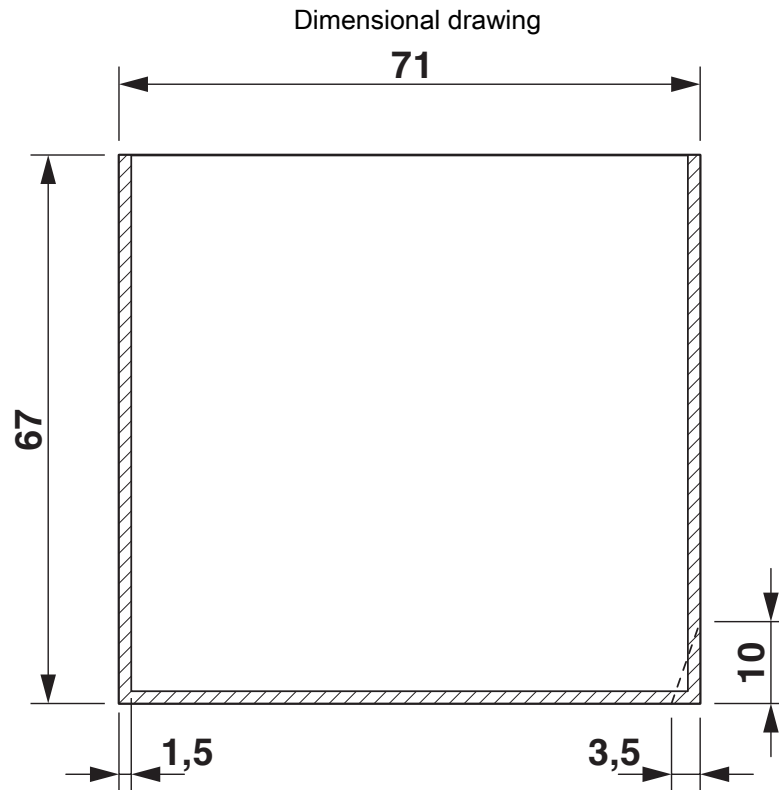


Component mounting side, if the double-level upper part is used

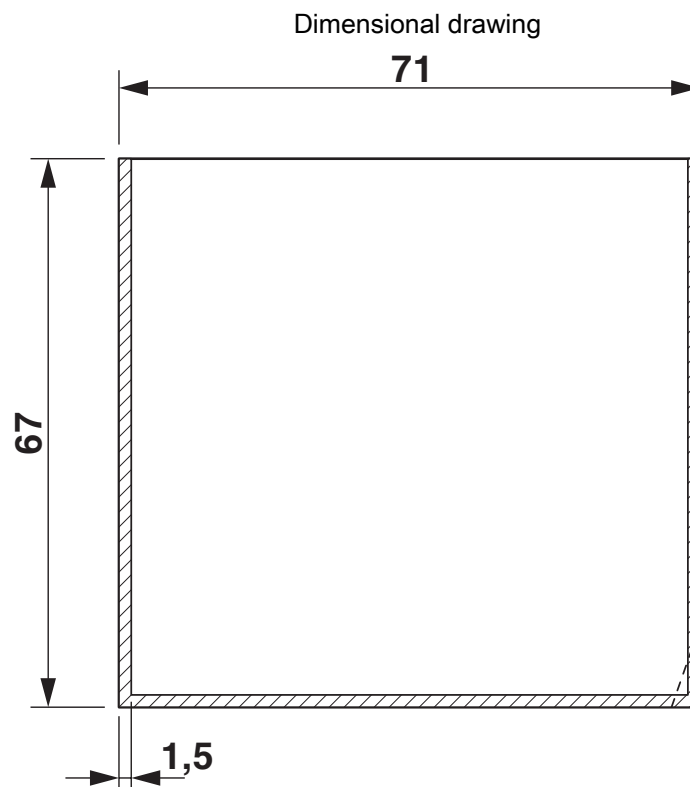
EG 67,5-A/ABS GN - Upper housing part

2764357

<https://www.phoenixcontact.com/in/products/2764357>



valid for PCB 9, see explosion drawing

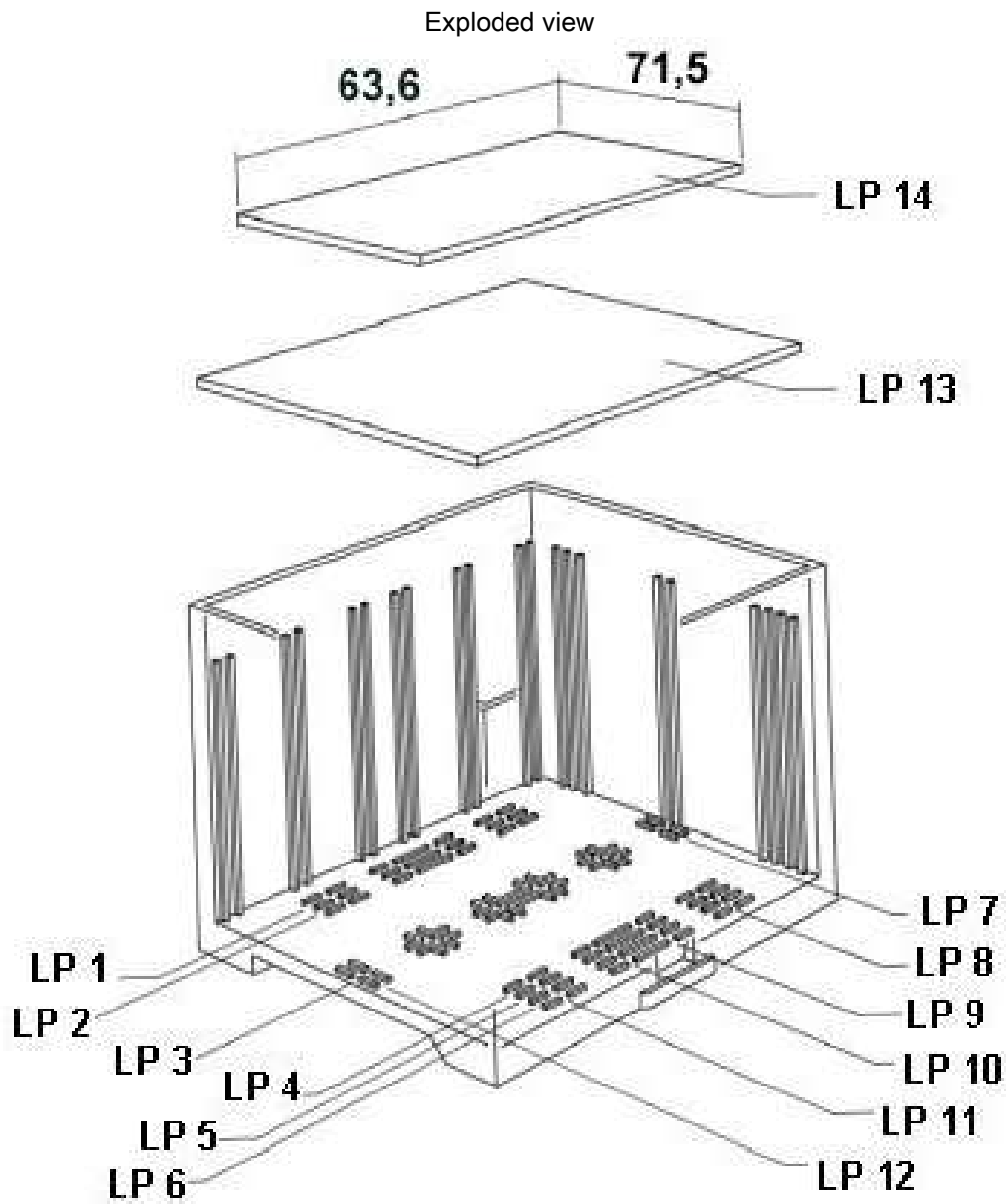


valid for PCB 7; 8; 11 and 12, see explosion drawing

EG 67,5-A/ABS GN - Upper housing part

2764357

<https://www.phoenixcontact.com/in/products/2764357>

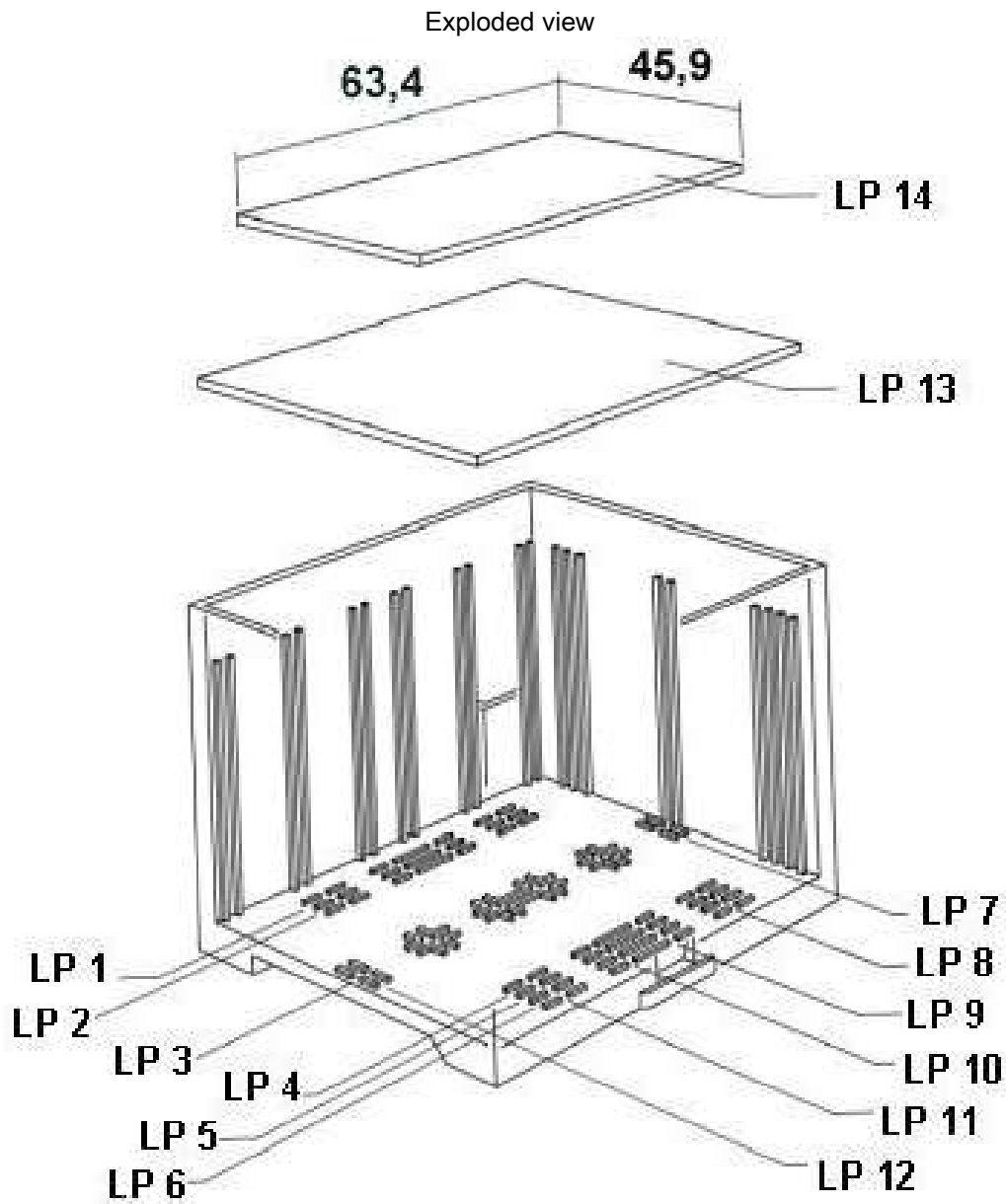


valid for PCB 13

EG 67,5-A/ABS GN - Upper housing part

2764357

<https://www.phoenixcontact.com/in/products/2764357>

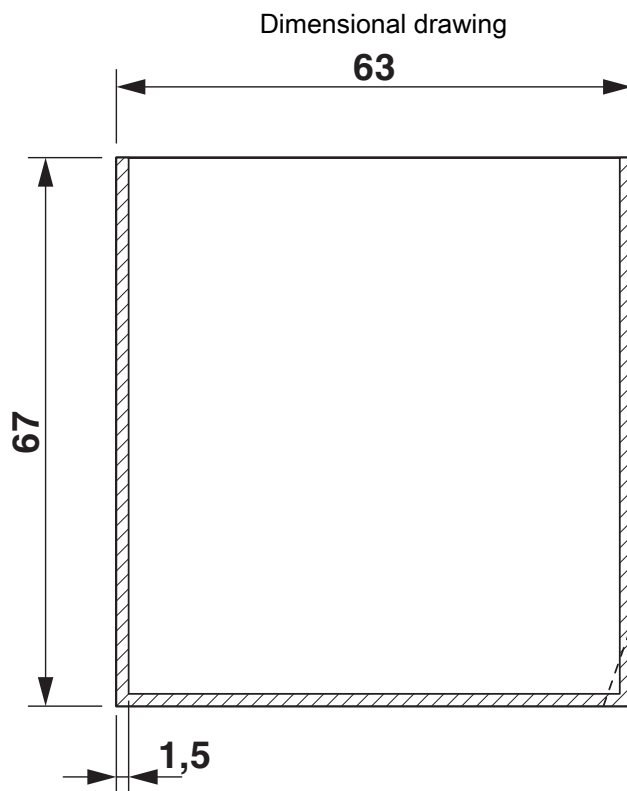


valid for PCB 14

EG 67,5-A/ABS GN - Upper housing part

2764357

<https://www.phoenixcontact.com/in/products/2764357>



valid for PCB 1; 2; 3; 4; 5 und 6, see explosion drawing

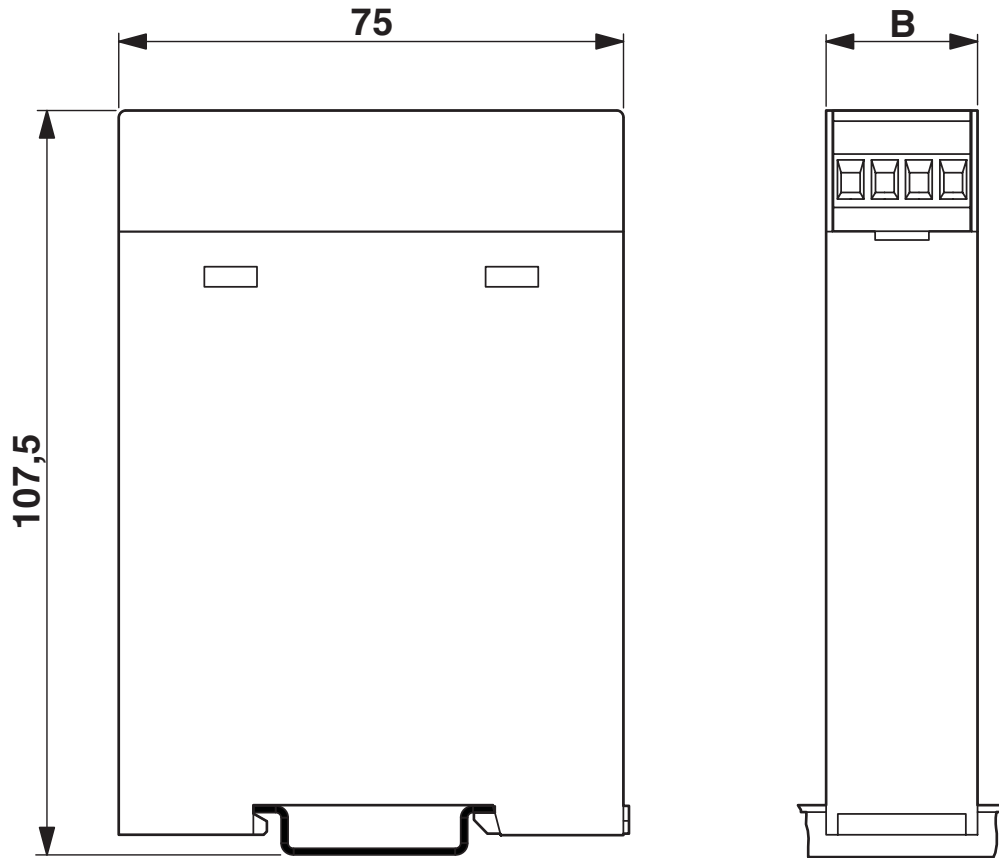
EG 67,5-A/ABS GN - Upper housing part

2764357

<https://www.phoenixcontact.com/in/products/2764357>



Dimensional drawing



EG 67,5-A/ABS GN - Upper housing part



2764357

<https://www.phoenixcontact.com/in/products/2764357>

Approvals

To download certificates, visit the product detail page: <https://www.phoenixcontact.com/in/products/2764357>



UL Recognized

Approval ID: E240868

EG 67,5-A/ABS GN - Upper housing part



2764357

<https://www.phoenixcontact.com/in/products/2764357>

Classifications

ECLASS

ECLASS-11.0	27182702
ECLASS-13.0	27190603

ETIM

ETIM 9.0	EC002779
----------	----------

UNSPSC

UNSPSC 21.0	31261500
-------------	----------

EG 67,5-A/ABS GN - Upper housing part



2764357

<https://www.phoenixcontact.com/in/products/2764357>

Environmental product compliance

EU RoHS

Fulfills EU RoHS substance requirements	Yes, No exemptions
---	--------------------

China RoHS

Environment friendly use period (EFUP)	EFUP-E
	No hazardous substances above the limits

EU REACH SVHC

REACH candidate substance (CAS No.)	No substance above 0.1 wt%
-------------------------------------	----------------------------

Phoenix Contact 2024 © - all rights reserved
<https://www.phoenixcontact.com>

PHOENIX CONTACT (I) Pvt. Ltd.
A-58/2, Okhla Industrial Area, Phase - II, New Delhi-110 020

+91.1275.71420
info@phoenixcontact.co.in