

# EG 67,5-G/ABS GN - Mounting base housing



2764292

<https://www.phoenixcontact.com/in/products/2764292>

Please be informed that the data shown in this PDF document is generated from our online catalog. Please find the complete data in the user documentation. Our general terms of use for downloads are valid.



Component housing, Lower housing part, with snap-on foot, without vents, width: 67.5 mm, height: 75 mm, color: green (similar RAL 6021), cross connection: without bus connector, number of positions cross connector: not relevant

## Your advantages

- Tool-free mounting

## Commercial data

Item number	2764292
Packing unit	5 pc
Minimum order quantity	5 pc
Sales key	ACH
Product key	ACHCGA
Catalog page	Page 719 (C-1-2013)
GTIN	4017918108052
Weight per piece (including packing)	83.22 g
Weight per piece (excluding packing)	47.726 g
Customs tariff number	85389099
Country of origin	PL

# EG 67,5-G/ABS GN - Mounting base housing

2764292

<https://www.phoenixcontact.com/in/products/2764292>

## Technical data

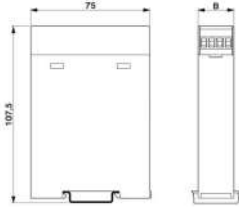
### Product properties

Product type	Enclosure bottom part
Housing type	Component housing
Housing series	EG
Product family	EG...G
Type	Lower housing part closed, housing cover necessary to complete the module
Number of positions	26
Max. number of positions	0)
Type	Lower housing part, with snap-on foot
Ventilation openings present	no

### Data management status

Article revision	00
------------------	----

### Dimensions

Dimensional drawing	
Width	67.5 mm
Height	75 mm

### PCB design

PCB thickness	1.4 mm ... 1.8 mm
---------------	-------------------

### Material specifications

Color (Housing)	green (RAL 6021)
Flammability rating according to UL 94	HB
Housing material	ABS
Surface characteristics	untreated

### Environmental and real-life conditions

#### Ambient conditions

Degree of protection	IP20
Max. IP code to attain	IP20
Ambient temperature (operation)	-40 °C ... 80 °C (depending on power dissipation)
Ambient temperature (storage/transport)	-40 °C ... 55 °C
Ambient temperature (assembly)	-5 °C ... 80 °C

# EG 67,5-G/ABS GN - Mounting base housing



2764292

<https://www.phoenixcontact.com/in/products/2764292>

## PCB data

Thickness of the PCB	1.4 mm ... 1.8 mm
----------------------	-------------------

## Mounting

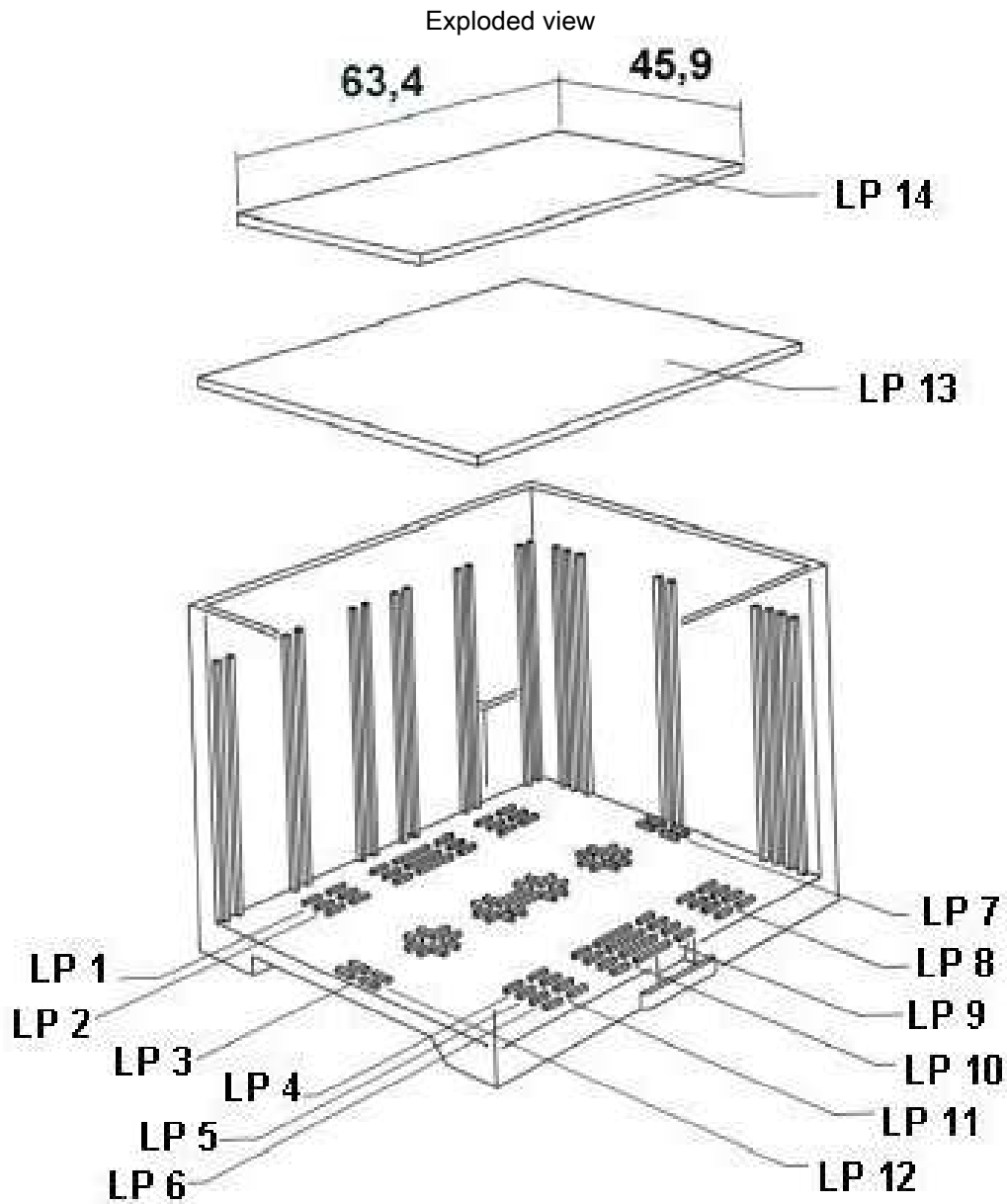
Mounting type	DIN rail mounting
---------------	-------------------

# EG 67,5-G/ABS GN - Mounting base housing

2764292

<https://www.phoenixcontact.com/in/products/2764292>

## Drawings

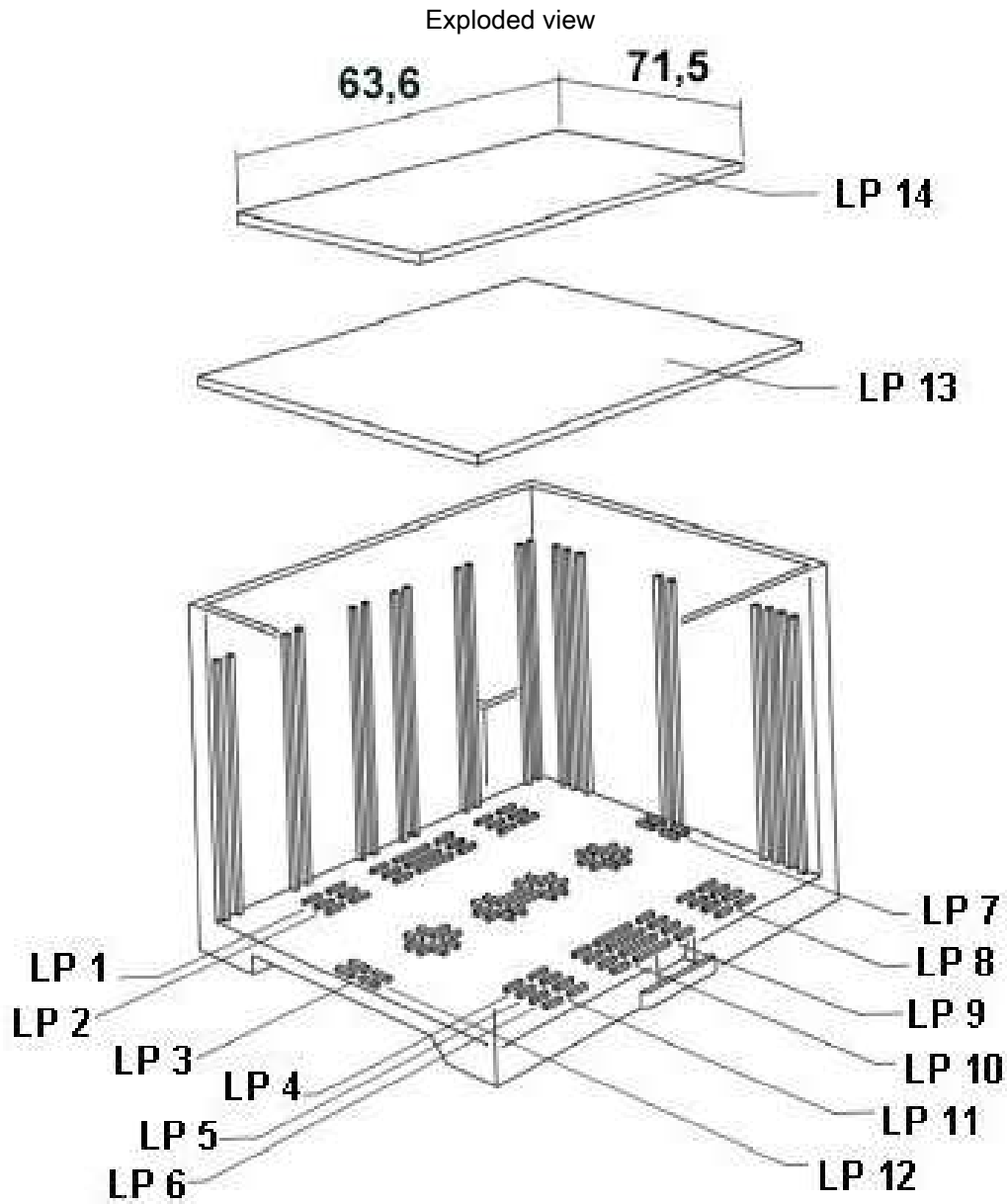


valid for PCB 14

# EG 67,5-G/ABS GN - Mounting base housing

2764292

<https://www.phoenixcontact.com/in/products/2764292>

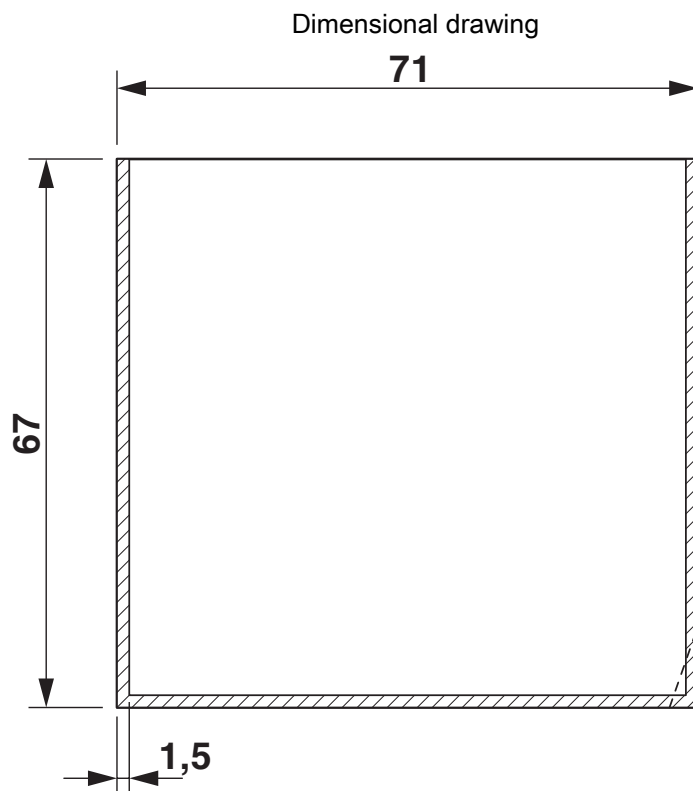


valid for PCB 13

# EG 67,5-G/ABS GN - Mounting base housing

2764292

<https://www.phoenixcontact.com/in/products/2764292>



valid for PCB 7; 8; 11 and 12, see explosion drawing

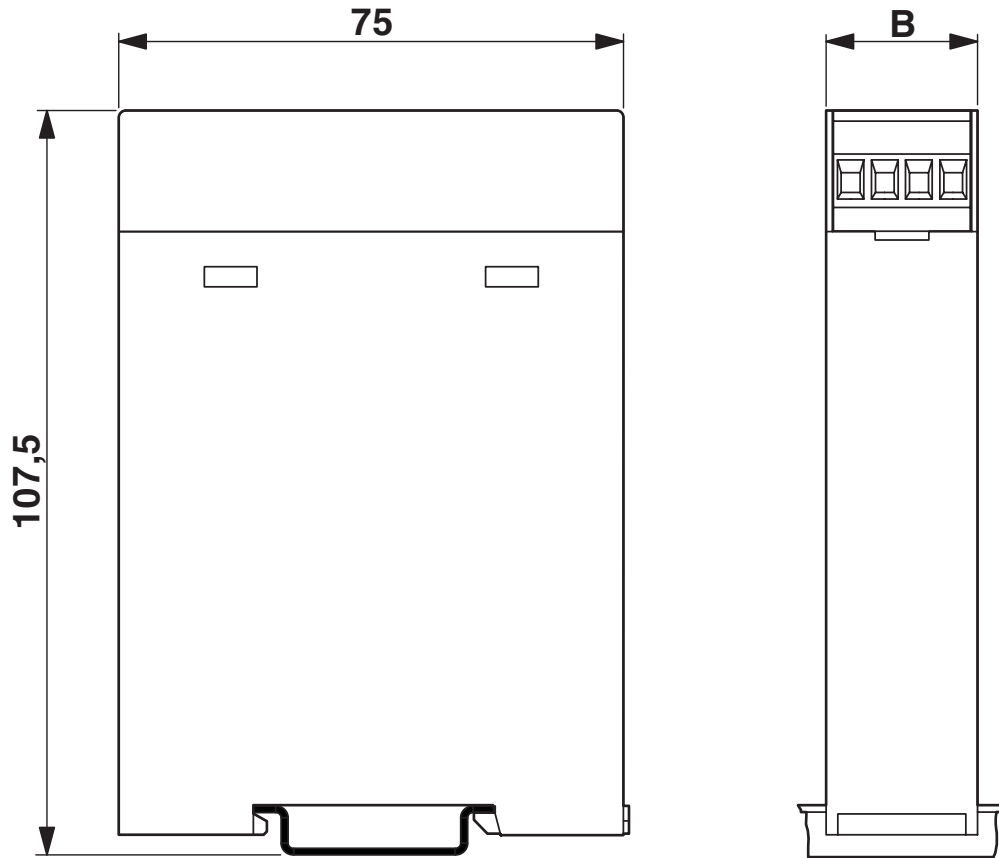
# EG 67,5-G/ABS GN - Mounting base housing

2764292

<https://www.phoenixcontact.com/in/products/2764292>



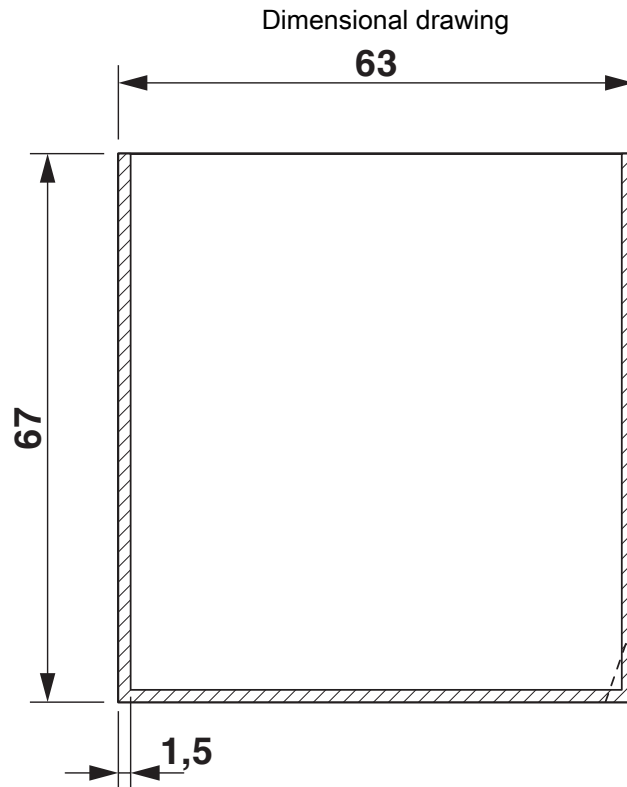
Dimensional drawing



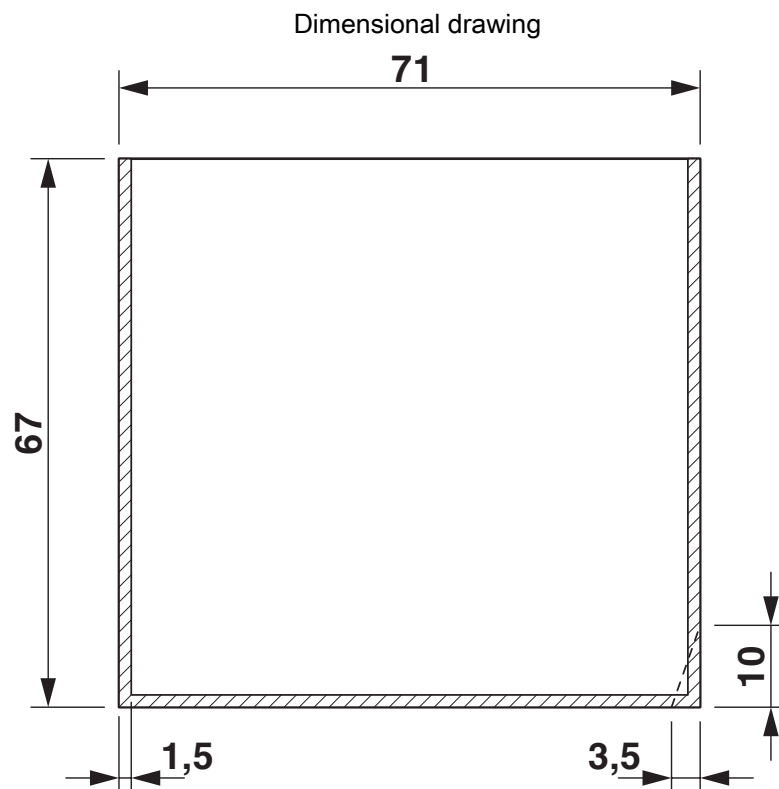
# EG 67,5-G/ABS GN - Mounting base housing

2764292

<https://www.phoenixcontact.com/in/products/2764292>



valid for PCB 1; 2; 3; 4; 5 und 6, see explosion drawing



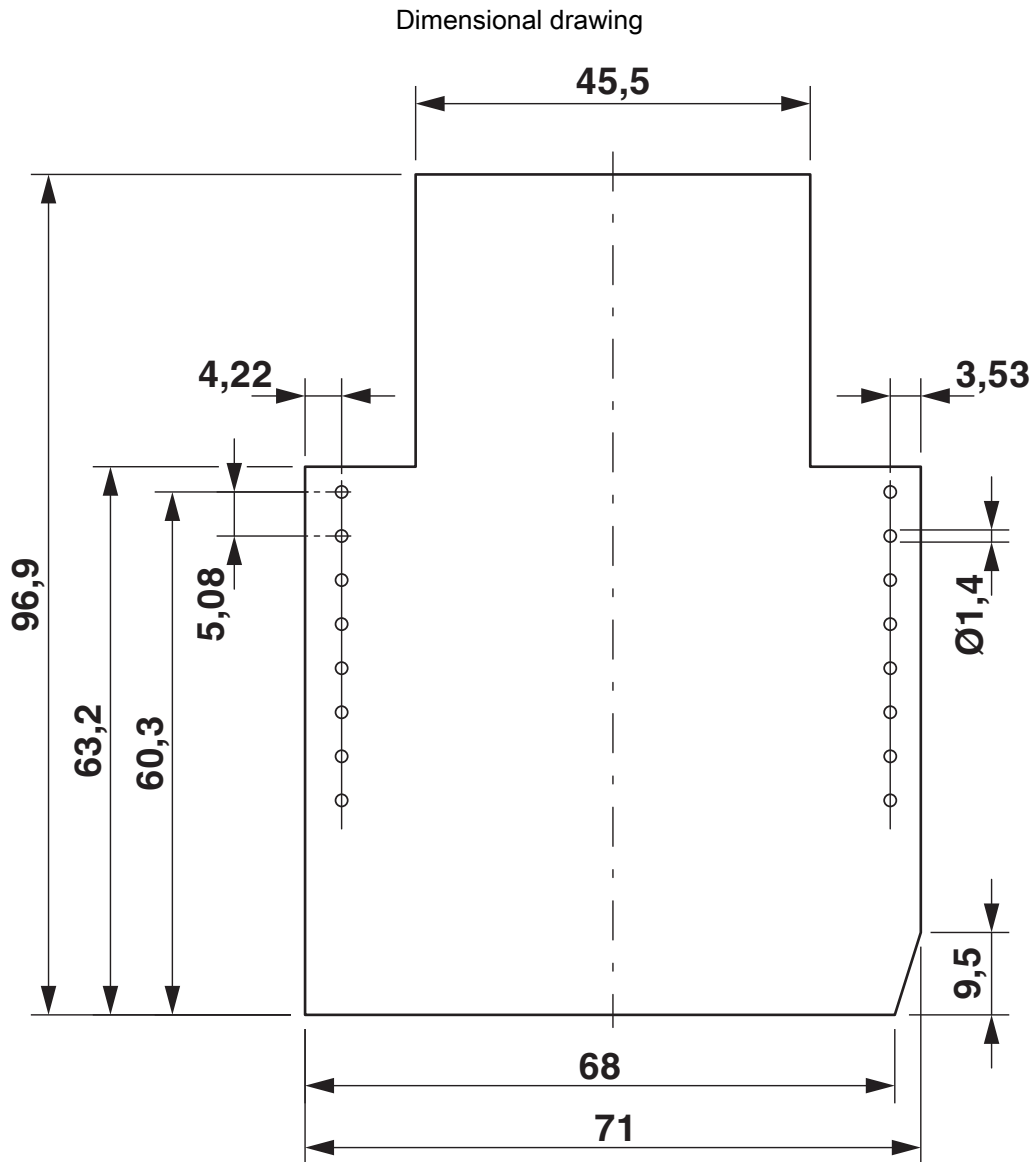
valid for PCB 9, see explosion drawing



# EG 67,5-G/ABS GN - Mounting base housing

2764292

<https://www.phoenixcontact.com/in/products/2764292>



Component mounting side, if the double-level upper part is used

# EG 67,5-G/ABS GN - Mounting base housing



2764292

<https://www.phoenixcontact.com/in/products/2764292>

## Approvals

To download certificates, visit the product detail page: <https://www.phoenixcontact.com/in/products/2764292>



**UL Recognized**

Approval ID: E240868

# EG 67,5-G/ABS GN - Mounting base housing



2764292

<https://www.phoenixcontact.com/in/products/2764292>

## Classifications

### ECLASS

ECLASS-11.0	27182702
ECLASS-13.0	27190601

### ETIM

ETIM 9.0	EC002779
----------	----------

### UNSPSC

UNSPSC 21.0	31261500
-------------	----------

# EG 67,5-G/ABS GN - Mounting base housing



2764292

<https://www.phoenixcontact.com/in/products/2764292>

## Environmental product compliance

### EU RoHS

Fulfills EU RoHS substance requirements	Yes, No exemptions
---	--------------------

### China RoHS

Environment friendly use period (EFUP)	EFUP-E
	No hazardous substances above the limits

### EU REACH SVHC

REACH candidate substance (CAS No.)	No substance above 0.1 wt%
-------------------------------------	----------------------------

Phoenix Contact 2024 © - all rights reserved  
<https://www.phoenixcontact.com>

PHOENIX CONTACT (I) Pvt. Ltd.  
A-58/2, Okhla Industrial Area, Phase - II, New Delhi-110 020

+91.1275.71420  
[info@phoenixcontact.co.in](mailto:info@phoenixcontact.co.in)