

SUBCON 15/M-SH - D-SUB bus connector

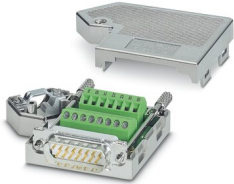


2761606

<https://www.phoenixcontact.com/in/products/2761606>

Please be informed that the data shown in this PDF document is generated from our Online Catalog. Please find the complete data in the user documentation. Our General Terms of Use for Downloads are valid.

D-SUB connector, 15-pos, male connector, one 35° cable entry, universal type for all systems, pin assignment: 1, 2, 3, ..., 14, 15 to screw connection terminal block



Product Description

The range covers SUBCON plugs for point-to-point connections with a cable infeed in 9, 15 and 25-pos. male or female versions. The optional fastening screw SUBCON-SHORT-SCREW is available as an accessory for narrow installation conditions. The screw is completely integrated into the housing by not having a knurl.

Your advantages

- Easy assembly thanks to knurled screws
- High level of EMC
- Assembly under field conditions
- Flexibility in terms of cable entry selection
- Can be used universally
- Change to the D-SUB orientation through a reversible connection block

Commercial Data

Item number	2761606
Packing unit	1 pc
Minimum order quantity	1 pc
Sales Key	DNC
Product Key	DNC511
Catalog Page	Page 451 (C-6-2019)
GTIN	4017918101671
Weight per Piece (including packing)	80.1 g
Weight per Piece (excluding packing)	15.9 g
Customs tariff number	85366990
Country of origin	DE

SUBCON 15/M-SH - D-SUB bus connector



2761606

<https://www.phoenixcontact.com/in/products/2761606>

Technical Data

Notes

Utilization restriction

CCCex note	Use in potentially explosive areas is not permitted in China.
------------	---

Product properties

Product type	Data plug
MTTF	6706 Years (SN 29500 standard, temperature 25°C, operating cycle 21%)
	1817 Years (SN 29500 standard, temperature 40°C, operating cycle 34.25%)
	155 Years (SN 29500 standard, temperature 40°C, operating cycle 100%)
Pin assignment	All connections are 1:1 on the screw terminal block

Electrical properties

Nominal voltage U_N	50 V DC
Nominal current I_N	100 mA
Transmission medium	Copper

Connection data

D-SUB connection

Connection method	D-SUB connector
-------------------	-----------------

PCB connection

Connection method	Screw connection
Stripping length	5 mm
Conductor cross section, rigid min.	0.14 mm ²
Conductor cross section, rigid max.	1.5 mm ²
Conductor cross section flexible min.	0.14 mm ²
Conductor cross section flexible max.	1 mm ²
Single-wire/terminal point, rigid AWG min.	26
Single-wire/terminal point, rigid AWG max.	16
Min. AWG conductor cross section, flexible	26
Max. AWG conductor cross section, flexible	18

Interfaces

Signal	Modbus
--------	--------

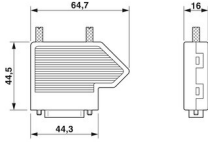
Dimensions

SUBCON 15/M-SH - D-SUB bus connector



2761606

<https://www.phoenixcontact.com/in/products/2761606>

Dimensional drawing	
Width	16 mm
Height	55 mm
Length	65 mm

Material specifications

Material Housing	ABS, metal-plated
------------------	-------------------

Cable/line

External cable diameter	4 mm ... 10 mm (Incoming bus line)
-------------------------	------------------------------------

Mechanical properties

Mechanical data

Insertion/withdrawal cycles	> 200
-----------------------------	-------

Environmental and real-life conditions

Ambient conditions

Degree of protection	IP20
Ambient temperature (operation)	-20 °C ... 75 °C
Ambient temperature (storage/transport)	-25 °C ... 80 °C
Altitude	≤ 5000 m (For restrictions, see the manufacturer's declaration for altitude operation)
Permissible humidity (operation)	10 % ... 95 % (non-condensing)
Permissible humidity (storage/transport)	5 % ... 95 % (non-condensing)

Approvals

ATEX

Identification	<input type="checkbox"/> II 3 G Ex nA IIC T4 Gc X
Note	Please follow the special installation instructions in the documentation!

Corrosive gas test

Identification	ISA-S71.04-1985 G3 Harsh Group A
----------------	----------------------------------

Standards and regulations

Free from substances that could impair the application of coating	in accordance with VW-AUDI-Seat central standard P-VW 3.10.7 57 65 0
---	--

SUBCON 15/M-SH - D-SUB bus connector

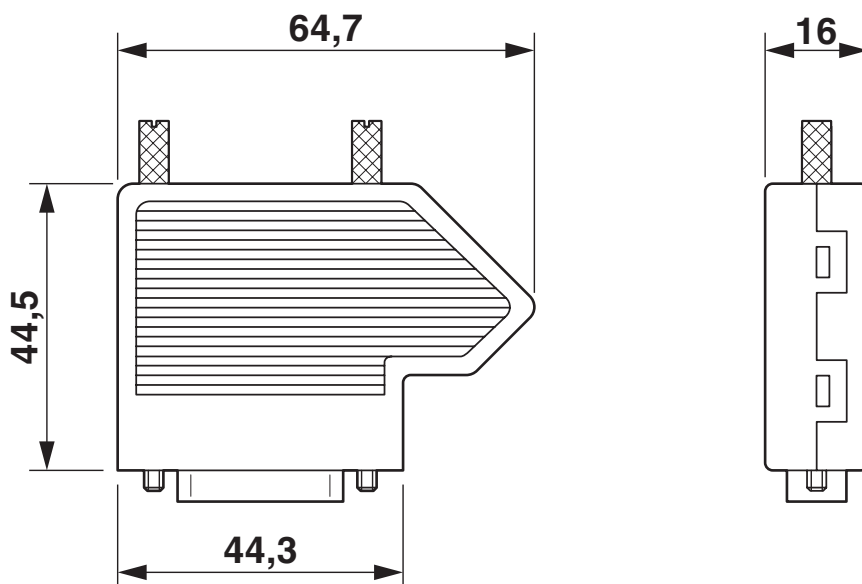
2761606

<https://www.phoenixcontact.com/in/products/2761606>



Drawings

Dimensional drawing

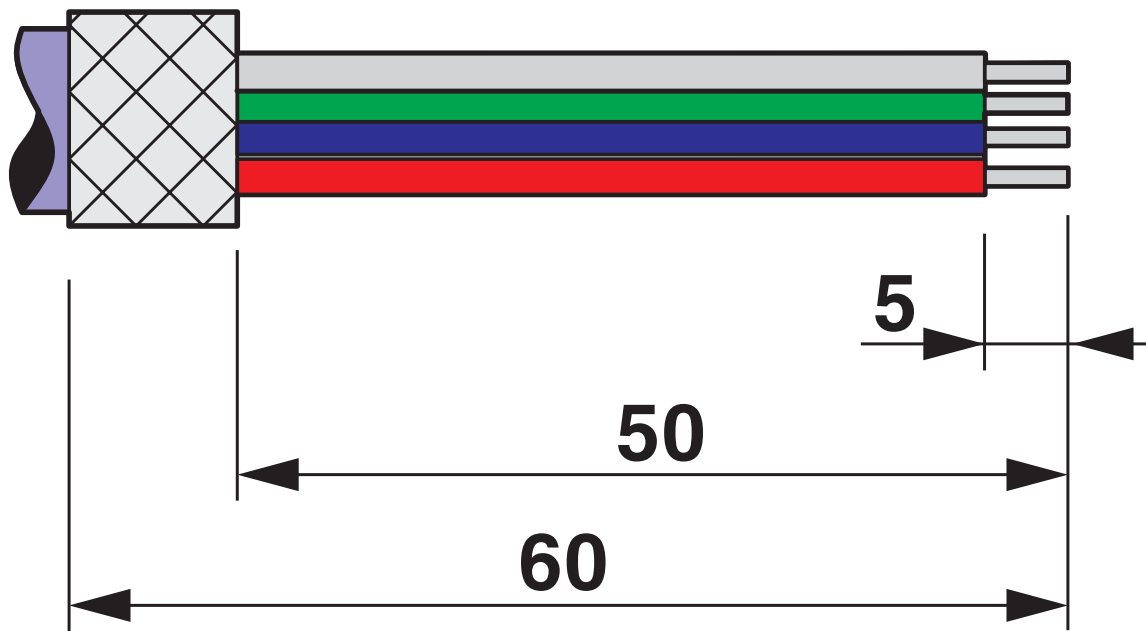


SUBCON 15/M-SH - D-SUB bus connector

2761606

<https://www.phoenixcontact.com/in/products/2761606>

Schematic diagram



Stripping specifications

SUBCON 15/M-SH - D-SUB bus connector



2761606

<https://www.phoenixcontact.com/in/products/2761606>

Approvals



cUL Recognized
Approval ID: FILE E 238705



UL Recognized
Approval ID: FILE E 238705



CSA
Approval ID: 2437602



ATEX
Approval ID: PxCIF15ATEX2761499X

SUBCON 15/M-SH - D-SUB bus connector



2761606

<https://www.phoenixcontact.com/in/products/2761606>

Classifications

ECLASS

ECLASS-11.0	27440302
ECLASS-12.0	27440302
ECLASS-13.0	27440302

ETIM

ETIM 8.0	EC001132
----------	----------

UNSPSC

UNSPSC 21.0	39121400
-------------	----------

SUBCON 15/M-SH - D-SUB bus connector



2761606

<https://www.phoenixcontact.com/in/products/2761606>

Environmental Product Compliance

REACH SVHC	Lead 7439-92-1
China RoHS	Environmentally Friendly Use Period = 50 years
	For information on hazardous substances, refer to the manufacturer's declaration available under "Downloads"

SUBCON 15/M-SH - D-SUB bus connector



2761606

<https://www.phoenixcontact.com/in/products/2761606>

Accessories

SUBCON-SHORT-SCREW - Screw

2799694

<https://www.phoenixcontact.com/in/products/2799694>



Optional mounting screw, without knurl for narrow installation conditions, slotted head, length: 40 mm, UNC 4-40 thread Supplied as standard: 1 bag of 20 screws

SZF 0-0,4X2,5 - Screwdriver

1204504

<https://www.phoenixcontact.com/in/products/1204504>



Actuation tool, for ST terminal blocks, also suitable for use as a bladed screwdriver, size: 0.4 x 2.5 x 75 mm, 2-component grip, with non-slip grip

SUBCON 15/M-SH - D-SUB bus connector

2761606

<https://www.phoenixcontact.com/in/products/2761606>



SUBCON 15/F-SH - D-SUB bus connector

2761596

<https://www.phoenixcontact.com/in/products/2761596>



D-SUB connector, 15-pos. female connector, one 35° cable entry, universal type for all systems, pin assignment: 1, 2, 3, ..., 14, 15 to screw connection terminal block

SUBCON-RAENDEL-SCREW-3MM - Screw

2310387

<https://www.phoenixcontact.com/in/products/2310387>



Optional mounting screw, with knurl for mounting by hand or using a screwdriver, bladed, length: 56 mm, metric M3 thread

SUBCON 15/M-SH - D-SUB bus connector



2761606

<https://www.phoenixcontact.com/in/products/2761606>

VS-15-GC-ST/ST - D-SUB gender changer

1652677

<https://www.phoenixcontact.com/in/products/1652677>

D-SUB contact insert, shell size 2, with 15 signal contacts, type of contact pin, gender changer, fixing with 4-40 UNC thread



VS-15-GC-BU/BU - D-SUB gender changer

1652664

<https://www.phoenixcontact.com/in/products/1652664>

D-SUB contact insert, shell size 2, with 15 signal contacts, type of contact socket, gender changer, fixing with 4-40 UNC thread



Phoenix Contact 2023 © - all rights reserved
<https://www.phoenixcontact.com>

PHOENIX CONTACT (I) Pvt. Ltd.
A-58/2, Okhla Industrial Area, Phase - II, New Delhi-110 020

+91.1275.71420
info@phoenixcontact.co.in