

# PSM PTK - Connection distributor

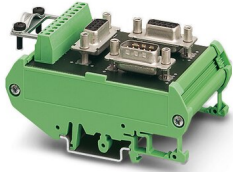


2760623

<https://www.phoenixcontact.com/in/products/2760623>

Please be informed that the data shown in this PDF document is generated from our Online Catalog. Please find the complete data in the user documentation. Our General Terms of Use for Downloads are valid.

Passive RS-485 T-distributor, fitted with one 9-pin D-SUB pin strip and two 9-pin D-SUB socket strips



## Commercial Data

Item number	2760623
Packing unit	1 pc
Minimum order quantity	1 pc
Sales Key	DNC
Product Key	DNC551
Catalog Page	Page 443 (C-6-2019)
GTIN	4017918064327
Weight per Piece (including packing)	108.933 g
Weight per Piece (excluding packing)	86.1 g
Customs tariff number	85366990
Country of origin	DE

## Technical Data

### Product properties

Product type	Adapter
Application	Standard
Pin assignment	all 1:1

### Electrical properties

Test voltage	500 V AC (50 Hz, 1 min, rms)
Nominal voltage $U_N$	60 V AC/DC
Nominal current $I_N$	1 A
Transmission medium	Copper

### Connection data

#### Incoming

Connection method	D-SUB 9 plug
-------------------	--------------

#### Outgoing

Connection method	D-SUB-9 female connector
-------------------	--------------------------

#### Branching

Connection method	D-SUB-9 female connector
-------------------	--------------------------

#### Branching

Connection method	COMBICON connectors
Conductor cross section, rigid min.	0.14 mm <sup>2</sup>
Conductor cross section, rigid max.	1.5 mm <sup>2</sup>
Conductor cross section flexible min.	0.14 mm <sup>2</sup>
Conductor cross section flexible max.	1.5 mm <sup>2</sup>
Conductor cross section AWG min.	26
Conductor cross section AWG max.	16

### Interfaces

Bus system	RS-485
------------	--------

### Dimensions

Width	56 mm
Height	89.6 mm
Length	48 mm

### Material specifications

Material Housing	PVC
Flammability rating according to UL 94	V0

### Cable/line

# PSM PTK - Connection distributor



2760623

<https://www.phoenixcontact.com/in/products/2760623>

Shielding	D-SUB frame or shield clamp
-----------	-----------------------------

## Environmental and real-life conditions

### Ambient conditions

Degree of protection	IP20
Ambient temperature (operation)	-25 °C ... 70 °C

## Approvals

### EAC

Identification	EAC
----------------	-----

## Standards and regulations

Free from substances that could impair the application of coating	in accordance with VW-AUDI-Seat central standard P-VW 3.10.7 57 65 0
---	--

# PSM PTK - Connection distributor

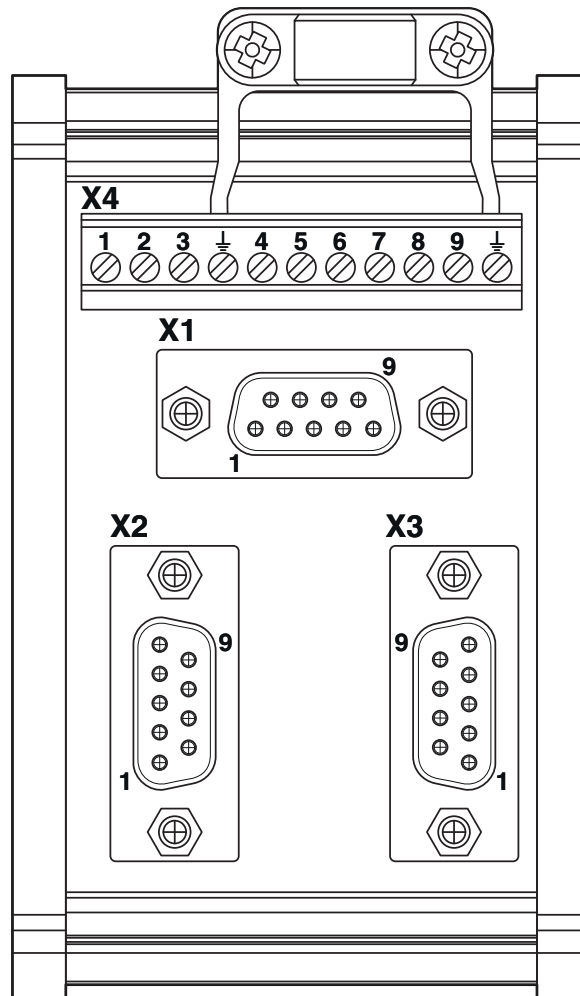
2760623

<https://www.phoenixcontact.com/in/products/2760623>



## Drawings

Schematic diagram



Front view

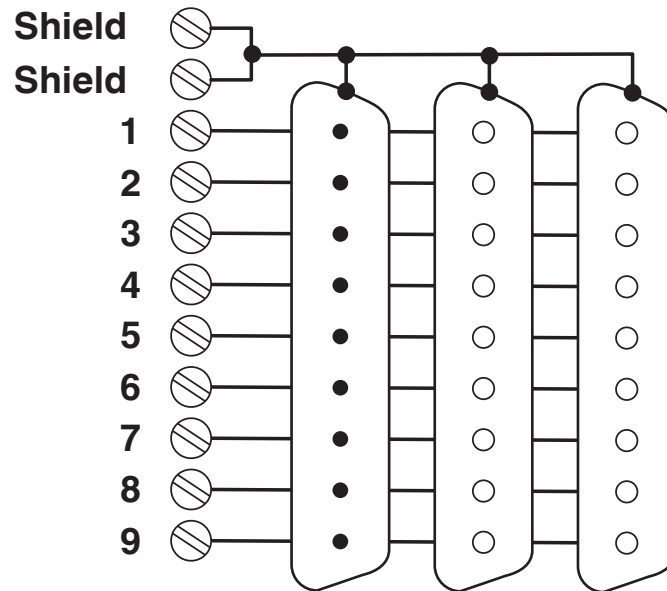
# PSM PTK - Connection distributor

2760623

<https://www.phoenixcontact.com/in/products/2760623>



Circuit diagram



# PSM PTK - Connection distributor



2760623

<https://www.phoenixcontact.com/in/products/2760623>

## Approvals



**cUL Recognized**

Approval ID: FILE E 238705



**UL Recognized**

Approval ID: FILE E 238705



**EAC**

Approval ID: RU C-DE.BL08.B.00511

# PSM PTK - Connection distributor



2760623

<https://www.phoenixcontact.com/in/products/2760623>

## Classifications

### ECLASS

ECLASS-11.0	27141152
ECLASS-12.0	27141152
ECLASS-13.0	27141152

### ETIM

ETIM 8.0	EC002780
----------	----------

### UNSPSC

UNSPSC 21.0	39121400
-------------	----------

# PSM PTK - Connection distributor



2760623

<https://www.phoenixcontact.com/in/products/2760623>

## Environmental Product Compliance

China RoHS	Environmentally Friendly Use Period = 50 years For information on hazardous substances, refer to the manufacturer's declaration available under "Downloads"
------------	--



# PSM PTK - Connection distributor



2760623

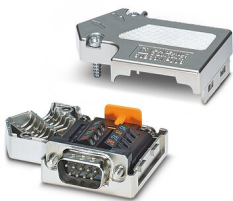
<https://www.phoenixcontact.com/in/products/2760623>

## Accessories

### SUBCON-PLUS-PROFIB/SC2 - D-SUB bus connector

2708232

<https://www.phoenixcontact.com/in/products/2708232>



D-SUB connector, 9-pos., male connector, 35° cable entry, bus system: PROFIBUS DP up to 12 Mbps, termination resistor can be switched on via slide switch, pin assignment: 3, 5, 6, 8; screw connection terminal blocks

---

### SUBCON-PLUS-PROFIB/90/SC - D-SUB bus connector

2313698

<https://www.phoenixcontact.com/in/products/2313698>



D-SUB connector, 9-pos., male connector, 90° cable entry, bus system: PROFIBUS DP up to 12 Mbps, termination resistor can be switched on via slide switch, pin assignment: 3, 5, 6, 8; screw connection terminal blocks

# PSM PTK - Connection distributor

2760623

<https://www.phoenixcontact.com/in/products/2760623>



## SUBCON-PLUS-PROFIB/AX/SC - D-SUB bus connector

2744380

<https://www.phoenixcontact.com/in/products/2744380>



D-SUB connector, 9-pos., male connector, axial version with two cable entries, bus system: PROFIBUS DP up to 12 Mbps, termination resistor can be switched on via slide switch, pin assignment: 3, 5, 6, 8; screw connection terminal blocks

---

## SUBCON-PLUS 9/F - D-SUB bus connector

2744241

<https://www.phoenixcontact.com/in/products/2744241>



D-SUB connector, 9-pos. female connector, two 35° cable entries, universal type for all systems, pin assignment: 1, 2, 3, 4, 5, 6, 7, 8, 9 to one screw connection terminal block

# PSM PTK - Connection distributor

2760623

<https://www.phoenixcontact.com/in/products/2760623>



## SUBCON-PLUS 9/M - D-SUB bus connector

2744018

<https://www.phoenixcontact.com/in/products/2744018>



D-SUB connector, 9-pos., male connector, two 35° cable entries, universal type for all systems, pin assignment: 1, 2, 3, 4, 5, 6, 7, 8, 9 to one screw connection terminal block

---

## SUBCON-PLUS-M/AX 9 - D-SUB bus connector

2904467

<https://www.phoenixcontact.com/in/products/2904467>



D-SUB plug, 9-pos., pin, axial design with two cable entries, universal type for all systems, pin assignment: 1, 2, 3, 4, 5, 6, 7, 8, 9 to screw connection terminal block

# PSM PTK - Connection distributor

2760623

<https://www.phoenixcontact.com/in/products/2760623>



## SUBCON-PLUS-F/AX 9 - D-SUB bus connector

2311797

<https://www.phoenixcontact.com/in/products/2311797>



D-SUB connector, 9-pos. female connector, axial version with two cable entries, universal type for all systems, pin assignment: 1, 2, 3, 4, 5, 6, 7, 8, 9 to screw connection terminal block

---

Phoenix Contact 2023 © - all rights reserved

<https://www.phoenixcontact.com>

PHOENIX CONTACT (I) Pvt. Ltd.

A-58/2, Okhla Industrial Area, Phase - II, New Delhi-110 020

+91.1275.71420

[info@phoenixcontact.co.in](mailto:info@phoenixcontact.co.in)