

ME 35 OT-MSTBO GN - Upper part of housing



2709639

<https://www.phoenixcontact.com/pc/products/2709639>

Please be informed that the data shown in this PDF document is generated from our Online Catalog. Please find the complete data in the user documentation. Our General Terms of Use for Downloads are valid.

DIN rail housing, Upper housing part for connectors with header, width: 35.2 mm, height: 99 mm, depth: 45.85 mm, color: green (6021)



Your advantages

- Tool-free mounting
- Available in overall widths from 12.5 mm to 90 mm, modular extension possible
- Flammability rating V0 in accordance with UL 94
- Variety of connection technology
- Can be mounted on the DIN rail
- With integrated or DIN-rail-mountable bus connector as an option

Commercial Data

Item number	2709639
Packing unit	10 pc
Minimum order quantity	1 pc
Product Key	ACHAAD
Catalog Page	Page 671 (C-1-2013)
GTIN	4017918902414
Weight per Piece (including packing)	24.03 g
Weight per Piece (excluding packing)	17.6 g
Customs tariff number	85389099
Country of origin	DE

ME 35 OT-MSTBO GN - Upper part of housing

2709639

<https://www.phoenixcontact.com/pc/products/2709639>

Technical Data

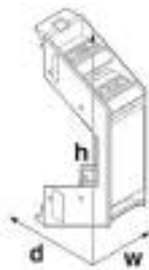
Notes

Assembly instruction:	Refer to the data sheet for the range in the download area.
-----------------------	---

Product properties

Product type	Upper housing part
Product family	ME...OT-MSTBO
Number of positions	24 36
Max. number of positions	32 (pitch: 3.5 mm) 24 (pitch: 5 mm) 16 (pitch: 7.25 mm)
Number of rows	2
Type	Upper housing part for connectors with header
Housing type	DIN rail housing
Ventilation openings present	no
Housing series	ME

Dimensions

Dimensional drawing	
Width	35.2 mm
Height	99 mm
Depth	45.85 mm
Depth from base support surface	38.5 mm

PCB design

PCB thickness	1.4 mm ... 1.8 mm
---------------	-------------------

Material specifications

Color	green (6021)
Flammability rating according to UL 94	V0
CTI according to IEC 60112	600
Surface characteristics	untreated
Housing material	Polyamide

Environmental and real-life conditions

ME 35 OT-MSTBO GN - Upper part of housing



2709639

<https://www.phoenixcontact.com/pc/products/2709639>

Vibration test

Specification	IEC 60068-2-6:2007-12
Frequency	10 - 150 - 10 Hz
Sweep speed	1 octave/min
Amplitude	0.15 mm (10 Hz ... 58.1 Hz)
Acceleration	2g (58.1 Hz ... 150 Hz)
Test duration per axis	2.5 h
Test directions	X-, Y- and Z-axis

Glow-wire test

Specification	IEC 60695-2-11:2014-02
Temperature	850 °C
Time of exposure	30 s

Thermal stability / ball thrust test

Specification	IEC 60695-10-2:2014-02
Temperature	125 °C
Test duration	1 h
Force	20 N

Mechanical strength / tumbling barrel

Specification	IEC 60998-1:2002-12
Height of fall	50 cm
Frequency	10

Shocks

Specification	IEC 60068-2-27:2008-02
Pulse shape	Half-sine
Acceleration	15g
Shock duration	11 ms
Number of shocks per direction	3
Test directions	X-, Y- and Z-axis (pos. and neg.)

Degree of protection (IP code)

Specification	IEC 60529:1989-11 + AMD 1:1999-11 + AMD 2:2013-08
---------------	---

Ambient conditions

Max. IP code to attain	IP20
Ambient temperature (operation)	-40 °C ... 105 °C (depending on power dissipation)
Ambient temperature (storage/transport)	-40 °C ... 55 °C
Ambient temperature (assembly)	-5 °C ... 100 °C
Relative humidity (storage/transport)	80 %

PCB data

Number of PCB holders	2
Type of PCB mount	Slot

ME 35 OT-MSTBO GN - Upper part of housing



2709639

<https://www.phoenixcontact.com/pc/products/2709639>

Thickness of the PCB	1.4 mm ... 1.8 mm
----------------------	-------------------

Mounting

Mounting type	Latching with lower housing part
Mounting position	Vertical (horizontal DIN rail)

Packaging specifications

Type of packaging	packed in cardboard
Outer packaging type	Carton

ME 35 OT-MSTBO GN - Upper part of housing

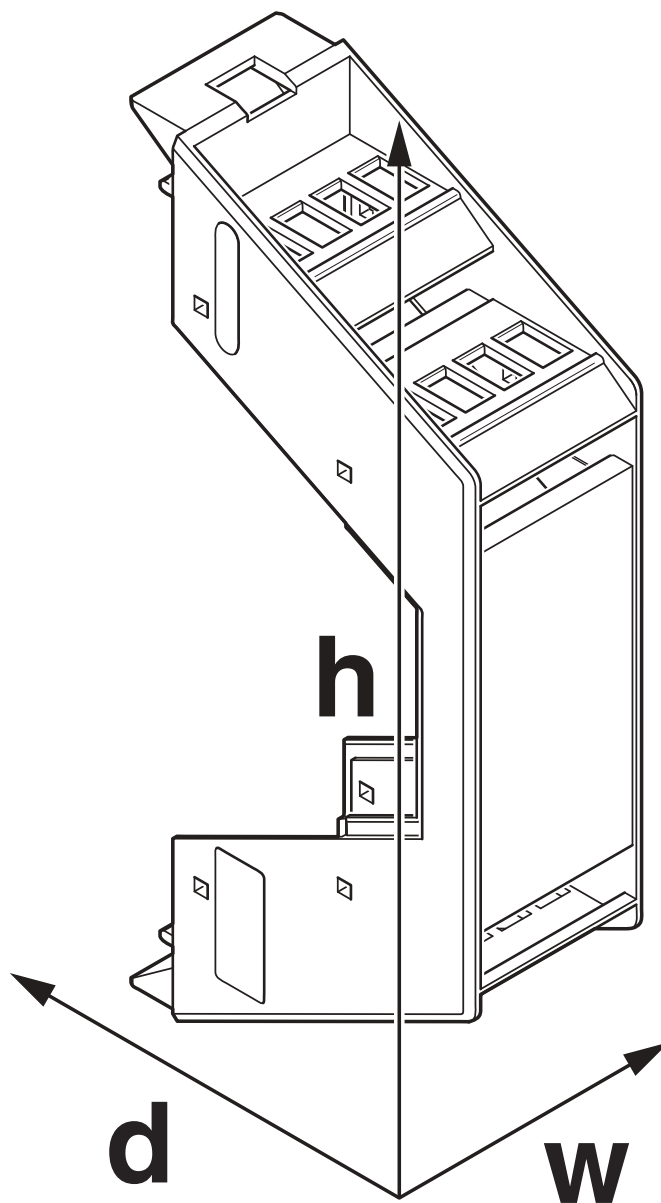
2709639

<https://www.phoenixcontact.com/pc/products/2709639>



Drawings

Dimensional drawing



Schematic figure for illustrating the item dimensions. The figure is not of the desired product. For further details, refer to the product drawings in the "Downloads" tab.

ME 35 OT-MSTBO GN - Upper part of housing

2709639

<https://www.phoenixcontact.com/pc/products/2709639>



Approvals



UL Recognized

Approval ID: FILE E 240868

ME 35 OT-MSTBO GN - Upper part of housing



2709639

<https://www.phoenixcontact.com/pc/products/2709639>

Classifications

ECLASS

ECLASS-11.0

27182702

ETIM

ETIM 8.0

EC001031

UNSPSC

UNSPSC 21.0

31261500

ME 35 OT-MSTBO GN - Upper part of housing



2709639

<https://www.phoenixcontact.com/pc/products/2709639>

Environmental Product Compliance

China RoHS	Environmentally friendly use period: unlimited = EFUP-e
	No hazardous substances above threshold values

ME 35 OT-MSTBO GN - Upper part of housing

2709639

<https://www.phoenixcontact.com/pc/products/2709639>

Mandatory Accessories

MCO 1,5/ 4-G1R-3,5 KMGY - PCB header

2278377

<https://www.phoenixcontact.com/pc/products/2278377>



PCB headers, nominal cross section: 1.5 mm², color: light grey, nominal current: 8 A, rated voltage (III/2): 160 V, contact surface: Tin, type of contact: Pin, number of potentials: 4, number of rows: 1, number of positions: 4, number of connections: 4, product range: MCO 1,5/..-G1R, pitch: 3.5 mm, mounting: Wave soldering, pin layout: Linear pinning, solder pin [P]: 2.75 mm, locking: without, Product with pin output on right side

MCO 1,5/ 4-G1L-3,5 KMGY - PCB header

2278364

<https://www.phoenixcontact.com/pc/products/2278364>



PCB headers, nominal cross section: 1.5 mm², color: light grey, nominal current: 8 A, rated voltage (III/2): 160 V, contact surface: Tin, type of contact: Pin, number of potentials: 4, number of rows: 1, number of positions: 4, number of connections: 4, product range: MCO 1,5/..-G1L, pitch: 3.5 mm, mounting: Wave soldering, pin layout: Linear pinning, solder pin [P]: 2.75 mm, locking: without, type of packaging: packed in cardboard, Product with pin output on left side

ME 35 OT-MSTBO GN - Upper part of housing

2709639

<https://www.phoenixcontact.com/pc/products/2709639>

MC 1,5/ 4-ST-3,5 - PCB connector

1840382

<https://www.phoenixcontact.com/pc/products/1840382>



PCB connector, nominal cross section: 1.5 mm², color: green, nominal current: 8 A, rated voltage (III/2): 160 V, contact surface: Tin, type of contact: Socket, number of potentials: 4, number of rows: 1, number of positions: 4, number of connections: 4, product range: MC 1,5/..-ST, pitch: 3.5 mm, connection method: Screw connection with tension sleeve, screw head form: L Slotted, conductor/PCB connection direction: 0 °, plug-in system: COMBICON MC 1,5, locking: without, mounting: without, type of packaging: packed in cardboard

MC 1,5/ 4-ST-3,5 BK AU - PCB connector

1835244

<https://www.phoenixcontact.com/pc/products/1835244>



PCB connector, nominal cross section: 1.5 mm², color: black, nominal current: 8 A, rated voltage (III/2): 160 V, contact surface: Gold, type of contact: Socket, number of potentials: 4, number of rows: 1, number of positions: 4, number of connections: 4, product range: MC 1,5/..-ST, pitch: 3.5 mm, connection method: Screw connection with tension sleeve, screw head form: L Slotted, conductor/PCB connection direction: 0 °, plug-in system: COMBICON MC 1,5, locking: without, mounting: without, type of packaging: packed in cardboard

ME 35 OT-MSTBO GN - Upper part of housing

2709639

<https://www.phoenixcontact.com/pc/products/2709639>

MC 1,5/ 4-ST-3,5 YE - PCB connector

1703434

<https://www.phoenixcontact.com/pc/products/1703434>



PCB connector, nominal cross section: 1.5 mm², color: yellow, nominal current: 8 A, rated voltage (III/2): 160 V, contact surface: Tin, type of contact: Socket, number of potentials: 4, number of rows: 1, number of positions: 4, number of connections: 4, product range: MC 1,5/..-ST, pitch: 3.5 mm, connection method: Screw connection with tension sleeve, screw head form: L Slotted, conductor/PCB connection direction: 0 °, plug-in system: COMBICON MC 1,5, locking: without, mounting: without, type of packaging: packed in cardboard

MC 1,5/ 4-ST-3,5 GY7035 - PCB connector

1769074

<https://www.phoenixcontact.com/pc/products/1769074>



PCB connector, nominal cross section: 1.5 mm², color: light grey, nominal current: 8 A, rated voltage (III/2): 160 V, contact surface: Tin, type of contact: Socket, number of potentials: 4, number of rows: 1, number of positions: 4, number of connections: 4, product range: MC 1,5/..-ST, pitch: 3.5 mm, connection method: Screw connection with tension sleeve, screw head form: L Slotted, conductor/PCB connection direction: 0 °, plug-in system: COMBICON MC 1,5, locking: without, mounting: without, type of packaging: packed in cardboard

ME 35 OT-MSTBO GN - Upper part of housing

2709639

<https://www.phoenixcontact.com/pc/products/2709639>

MC 1,5/ 4-ST-3,5 BU - PCB connector

1724310

<https://www.phoenixcontact.com/pc/products/1724310>



PCB connector, nominal cross section: 1.5 mm², color: blue, nominal current: 8 A, rated voltage (III/2): 160 V, contact surface: Tin, type of contact: Socket, number of potentials: 4, number of rows: 1, number of positions: 4, number of connections: 4, product range: MC 1,5/..-ST, pitch: 3.5 mm, connection method: Screw connection with tension sleeve, screw head form: L Slotted, conductor/PCB connection direction: 0 °, plug-in system: COMBICON MC 1,5, locking: without, mounting: without, type of packaging: packed in cardboard

MC 1,5/ 4-ST-3,5 GY - PCB connector

1747559

<https://www.phoenixcontact.com/pc/products/1747559>



PCB connector, nominal cross section: 1.5 mm², color: gray, nominal current: 8 A, rated voltage (III/2): 160 V, contact surface: Tin, type of contact: Socket, number of potentials: 4, number of rows: 1, number of positions: 4, number of connections: 4, product range: MC 1,5/..-ST, pitch: 3.5 mm, connection method: Screw connection with tension sleeve, screw head form: L Slotted, conductor/PCB connection direction: 0 °, plug-in system: COMBICON MC 1,5, locking: without, mounting: without, type of packaging: packed in cardboard

ME 35 OT-MSTBO GN - Upper part of housing

2709639

<https://www.phoenixcontact.com/pc/products/2709639>

MC 1,5/ 4-ST-3,5 AU - PCB connector

1845086

<https://www.phoenixcontact.com/pc/products/1845086>



PCB connector, nominal cross section: 1.5 mm², color: green, nominal current: 8 A, rated voltage (III/2): 160 V, contact surface: Gold, type of contact: Socket, number of potentials: 4, number of rows: 1, number of positions: 4, number of connections: 4, product range: MC 1,5/..-ST, pitch: 3.5 mm, connection method: Screw connection with tension sleeve, screw head form: L Slotted, conductor/PCB connection direction: 0 °, plug-in system: COMBICON MC 1,5, locking: without, mounting: without, type of packaging: packed in cardboard

FMC 1,5/ 4-ST-3,5 - Printed-circuit board connector

1952283

<https://www.phoenixcontact.com/pc/products/1952283>



PCB connector, nominal cross section: 1.5 mm², color: green, nominal current: 8 A, rated voltage (III/2): 160 V, contact surface: Tin, type of contact: Socket, number of potentials: 4, number of rows: 1, number of positions: 4, number of connections: 4, product range: FMC 1,5/..-ST, pitch: 3.5 mm, connection method: Push-in spring connection, conductor/PCB connection direction: 0 °, plug-in system: COMBICON MC 1,5, locking: without, mounting: without, type of packaging: packed in cardboard

ME 35 OT-MSTBO GN - Upper part of housing

2709639

<https://www.phoenixcontact.com/pc/products/2709639>

FMC 1,5/ 4-ST-3,5 GY AU - Printed-circuit board connector

1746631

<https://www.phoenixcontact.com/pc/products/1746631>



PCB connector, nominal cross section: 1.5 mm², color: gray, nominal current: 8 A, rated voltage (III/2): 160 V, contact surface: Gold, type of contact: Socket, number of potentials: 4, number of rows: 1, number of positions: 4, number of connections: 4, product range: FMC 1,5/..-ST, pitch: 3.5 mm, connection method: Push-in spring connection, conductor/PCB connection direction: 0 °, plug-in system: COMBICON MC 1,5, locking: without, mounting: without, type of packaging: packed in cardboard

FMC 1,5/ 4-ST-3,5 BK - Printed-circuit board connector

1704999

<https://www.phoenixcontact.com/pc/products/1704999>



PCB connector, nominal cross section: 1.5 mm², color: black, nominal current: 8 A, rated voltage (III/2): 160 V, contact surface: Tin, type of contact: Socket, number of potentials: 4, number of rows: 1, number of positions: 4, number of connections: 4, product range: FMC 1,5/..-ST, pitch: 3.5 mm, connection method: Push-in spring connection, conductor/PCB connection direction: 0 °, plug-in system: COMBICON MC 1,5, locking: without, mounting: without, type of packaging: packed in cardboard

ME 35 OT-MSTBO GN - Upper part of housing

2709639

<https://www.phoenixcontact.com/pc/products/2709639>

FMC 1,5/ 4-ST-3,5 GY - Printed-circuit board connector

1711257

<https://www.phoenixcontact.com/pc/products/1711257>



PCB connector, nominal cross section: 1.5 mm², color: gray, nominal current: 8 A, rated voltage (III/2): 160 V, contact surface: Tin, type of contact: Socket, number of potentials: 4, number of rows: 1, number of positions: 4, number of connections: 4, product range: FMC 1,5/..-ST, pitch: 3.5 mm, connection method: Push-in spring connection, conductor/PCB connection direction: 0 °, plug-in system: COMBICON MC 1,5, locking: without, mounting: without, type of packaging: packed in cardboard

FMC 1,5/ 4-ST-3,5 GY7035 - Printed-circuit board connector

1773578

<https://www.phoenixcontact.com/pc/products/1773578>



PCB connector, nominal cross section: 1.5 mm², color: light grey, nominal current: 8 A, rated voltage (III/2): 160 V, contact surface: Tin, type of contact: Socket, number of potentials: 4, number of rows: 1, number of positions: 4, number of connections: 4, product range: FMC 1,5/..-ST, pitch: 3.5 mm, connection method: Push-in spring connection, conductor/PCB connection direction: 0 °, plug-in system: COMBICON MC 1,5, locking: without, mounting: without, type of packaging: packed in cardboard

ME 35 OT-MSTBO GN - Upper part of housing

2709639

<https://www.phoenixcontact.com/pc/products/2709639>

FK-MCP 1,5/ 4-ST-3,5 - PCB connector

1939934

<https://www.phoenixcontact.com/pc/products/1939934>



PCB connector, nominal cross section: 1.5 mm², color: green, nominal current: 8 A, rated voltage (III/2): 160 V, contact surface: Tin, type of contact: Socket, number of potentials: 4, number of rows: 1, number of positions: 4, number of connections: 4, product range: FK-MCP 1,5/..-ST, pitch: 3.5 mm, connection method: Push-in spring connection, conductor/PCB connection direction: 0 °, plug-in system: COMBICON MC 1,5, locking: without, mounting: without, type of packaging: packed in cardboard

FK-MCP 1,5/ 4-ST-3,5 GY7035 - PCB connector

1773594

<https://www.phoenixcontact.com/pc/products/1773594>



PCB connector, nominal cross section: 1.5 mm², color: light grey, nominal current: 8 A, rated voltage (III/2): 160 V, contact surface: Tin, type of contact: Socket, number of potentials: 4, number of rows: 1, number of positions: 4, number of connections: 4, product range: FK-MCP 1,5/..-ST, pitch: 3.5 mm, connection method: Push-in spring connection, conductor/PCB connection direction: 0 °, plug-in system: COMBICON MC 1,5, locking: without, mounting: without, type of packaging: packed in cardboard

ME 35 OT-MSTBO GN - Upper part of housing

2709639

<https://www.phoenixcontact.com/pc/products/2709639>

FK-MCP 1,5/ 4-ST-3,5 AU - PCB connector

1708286

<https://www.phoenixcontact.com/pc/products/1708286>



PCB connector, nominal cross section: 1.5 mm², color: green, nominal current: 8 A, rated voltage (III/2): 160 V, contact surface: Gold, type of contact: Socket, number of potentials: 4, number of rows: 1, number of positions: 4, number of connections: 4, product range: FK-MCP 1,5/..-ST, pitch: 3.5 mm, connection method: Push-in spring connection, conductor/PCB connection direction: 0 °, plug-in system: COMBICON MC 1,5, locking: without, mounting: without, type of packaging: packed in cardboard

FK-MCP 1,5/ 4-ST-3,5 VPE1000 - PCB connector

1703939

<https://www.phoenixcontact.com/pc/products/1703939>



PCB connector, nominal cross section: 1.5 mm², color: green, nominal current: 8 A, rated voltage (III/2): 160 V, contact surface: Tin, type of contact: Socket, number of potentials: 4, number of rows: 1, number of positions: 4, number of connections: 4, product range: FK-MCP 1,5/..-ST, pitch: 3.5 mm, connection method: Push-in spring connection, conductor/PCB connection direction: 0 °, plug-in system: COMBICON MC 1,5, locking: without, mounting: without, type of packaging: packed in cardboard

ME 35 OT-MSTBO GN - Upper part of housing

2709639

<https://www.phoenixcontact.com/pc/products/2709639>



FK-MCP 1,5/ 4-ST-3,5 BK - PCB connector

1800272

<https://www.phoenixcontact.com/pc/products/1800272>



PCB connector, nominal cross section: 1.5 mm², color: black, nominal current: 8 A, rated voltage (III/2): 160 V, contact surface: Tin, type of contact: Socket, number of potentials: 4, number of rows: 1, number of positions: 4, number of connections: 4, product range: FK-MCP 1,5/..-ST, pitch: 3.5 mm, connection method: Push-in spring connection, conductor/PCB connection direction: 0 °, plug-in system: COMBICON MC 1,5, locking: without, mounting: without, type of packaging: packed in cardboard

MSTBO 2,5/ 3 G1L THRR44 BK AU - PCB header

1077611

<https://www.phoenixcontact.com/pc/products/1077611>



PCB headers, color: black, contact surface: Gold, type of contact: Pin, number of positions: 3, product range: MSTBO 2,5/..-G1L THR Au, pitch: 5 mm, mounting: THR soldering, pin layout: Linear pinning, solder pin [P]: 2.5 mm, number of solder pins per potential: 1, plug-in system: COMBICON MSTB 2,5, type of packaging: 44 mm wide tape, Article with lateral pin exit

ME 35 OT-MSTBO GN - Upper part of housing

2709639

<https://www.phoenixcontact.com/pc/products/2709639>



MSTBO 2,5/ 3 G1R THRR44 BK AU - PCB header

1077612

<https://www.phoenixcontact.com/pc/products/1077612>



PCB headers, color: black, contact surface: Gold, type of contact: Pin, number of positions: 3, product range: MSTBO 2,5/..-G1R THR Au, pitch: 5 mm, mounting: THR soldering, pin layout: Linear pinning, solder pin [P]: 2.5 mm, number of solder pins per potential: 1, plug-in system: COMBICON MSTB 2,5, type of packaging: 44 mm wide tape, Product with pin output on right side

MSTBO 2,5/ 3 G1L THRR44 BK - PCB header

2915216

<https://www.phoenixcontact.com/pc/products/2915216>



PCB headers, nominal cross section: 2.5 mm², color: black, nominal current: 16 A, rated voltage (III/2): 320 V, contact surface: Tin, type of contact: Pin, number of rows: 1, number of positions: 3, product range: MSTBO 2,5/..-G1L-THR, pitch: 5 mm, mounting: THR soldering, pin layout: Linear pinning, solder pin [P]: 2.5 mm, number of solder pins per potential: 1, plug-in system: COMBICON MSTB 2,5, locking: without, type of packaging: 44 mm wide tape, Article with lateral pin exit

ME 35 OT-MSTBO GN - Upper part of housing

2709639

<https://www.phoenixcontact.com/pc/products/2709639>



MSTBO 2,5/ 3 G1R THRR44 BK - PCB header

2915229

<https://www.phoenixcontact.com/pc/products/2915229>



PCB headers, nominal cross section: 2.5 mm², color: black, nominal current: 16 A, rated voltage (III/2): 320 V, contact surface: Tin, type of contact: Pin, number of rows: 1, number of positions: 3, product range: MSTBO 2,5/..-G1R-THR, pitch: 5 mm, mounting: THR soldering, pin layout: Linear pinning, solder pin [P]: 2.5 mm, number of solder pins per potential: 1, plug-in system: COMBICON MSTB 2,5, locking: without, type of packaging: 44 mm wide tape, Article with lateral pin exit

MSTBO 2,5/ 3-G1L KMGY AU - PCB header

1077605

<https://www.phoenixcontact.com/pc/products/1077605>



PCB headers, color: light grey, contact surface: Gold, type of contact: Pin, number of rows: 1, number of positions: 3, product range: MSTBO 2,5/..-G1L Au, pitch: 5 mm, mounting: Wave soldering, pin layout: Linear pinning, solder pin [P]: 3.5 mm, number of solder pins per potential: 1, plug-in system: COMBICON MSTB 2,5, Pin connector pattern alignment: Orthogonal, locking: without, type of packaging: packed in cardboard, Product with pin output on left side

ME 35 OT-MSTBO GN - Upper part of housing

2709639

<https://www.phoenixcontact.com/pc/products/2709639>



MSTBO 2,5/ 3-G1R KMGY AU - PCB header

1077606

<https://www.phoenixcontact.com/pc/products/1077606>



PCB headers, color: light grey, contact surface: Gold, type of contact: Pin, number of rows: 1, number of positions: 3, product range: MSTBO 2,5/...-G1R Au, pitch: 5 mm, mounting: Wave soldering, pin layout: Linear pinning, solder pin [P]: 3.5 mm, number of solder pins per potential: 1, plug-in system: COMBICON MSTB 2,5, Pin connector pattern alignment: Orthogonal, locking: without, type of packaging: packed in cardboard, Product with pin output on right side

MSTBO 2,5/ 3-G1L KMGY - PCB header

2853750

<https://www.phoenixcontact.com/pc/products/2853750>



PCB headers, nominal cross section: 2.5 mm², color: light grey, nominal current: 12 A, rated voltage (III/2): 320 V, contact surface: Tin, type of contact: Pin, number of potentials: 3, number of rows: 1, number of positions: 3, number of connections: 3, product range: MSTBO 2,5/...-G1L, pitch: 5 mm, mounting: Wave soldering, pin layout: Linear pinning, solder pin [P]: 3.5 mm, number of solder pins per potential: 1, plug-in system: COMBICON MSTB 2,5, locking: without, type of packaging: packed in cardboard, Product with pin output on left side

ME 35 OT-MSTBO GN - Upper part of housing

2709639

<https://www.phoenixcontact.com/pc/products/2709639>

MSTBO 2,5/ 3-G1PR GY7035 - PCB header

2200329

<https://www.phoenixcontact.com/pc/products/2200329>



PCB headers, nominal cross section: 2.5 mm², color: light grey, nominal current: 16 A, rated voltage (III/2): 320 V, contact surface: Tin, type of contact: Pin, number of rows: 1, number of positions: 3, product range: MSTBO 2,5/..-G1PR, pitch: 5 mm, mounting: Wave soldering, pin layout: Linear pinning, solder pin [P]: 3.5 mm, number of solder pins per potential: 1, plug-in system: COMBICON MSTB 2,5, locking: without, type of packaging: packed in cardboard, Product with pin output on right side

MSTBO 2,5/ 3-G1PL GY7035 - PCB header

2200328

<https://www.phoenixcontact.com/pc/products/2200328>



PCB headers, nominal cross section: 2.5 mm², color: light grey, nominal current: 16 A, rated voltage (III/2): 320 V, contact surface: Tin, type of contact: Pin, number of rows: 1, number of positions: 3, product range: MSTBO 2,5/..-G1PL, pitch: 5 mm, mounting: Wave soldering, pin layout: Linear pinning, solder pin [P]: 3.5 mm, number of solder pins per potential: 1, plug-in system: COMBICON MSTB 2,5, locking: without, type of packaging: packed in cardboard, Product with pin output on left side

ME 35 OT-MSTBO GN - Upper part of housing

2709639

<https://www.phoenixcontact.com/pc/products/2709639>

MSTBO 2,5/ 3-G1R - PCB header

1861031

<https://www.phoenixcontact.com/pc/products/1861031>



PCB headers, nominal cross section: 2.5 mm², color: green, nominal current: 12 A, rated voltage (III/2): 320 V, contact surface: Tin, type of contact: Pin, number of potentials: 3, number of rows: 1, number of positions: 3, number of connections: 3, product range: MSTBO 2,5/..-G1R, pitch: 5 mm, mounting: Wave soldering, pin layout: Linear pinning, solder pin [P]: 3.5 mm, number of solder pins per potential: 1, plug-in system: COMBICON MSTB 2,5, locking: without, type of packaging: packed in cardboard, Product with pin output on right side

MSTBO 2,5/ 3-G1R KMGY - PCB header

2853763

<https://www.phoenixcontact.com/pc/products/2853763>



PCB headers, nominal cross section: 2.5 mm², color: light grey, nominal current: 12 A, rated voltage (III/2): 320 V, contact surface: Tin, type of contact: Pin, number of potentials: 3, number of rows: 1, number of positions: 3, number of connections: 3, product range: MSTBO 2,5/..-G1R, pitch: 5 mm, mounting: Wave soldering, pin layout: Linear pinning, solder pin [P]: 3.5 mm, number of solder pins per potential: 1, plug-in system: COMBICON MSTB 2,5, locking: without, type of packaging: packed in cardboard, Product with pin output on right side

ME 35 OT-MSTBO GN - Upper part of housing

2709639

<https://www.phoenixcontact.com/pc/products/2709639>

MSTBO 2,5/ 3-G1R LBGY - PCB header

2200382

<https://www.phoenixcontact.com/pc/products/2200382>



PCB headers, nominal cross section: 2.5 mm², color: pebble gray, nominal current: 12 A, rated voltage (III/2): 320 V, type of contact: Pin, number of potentials: 3, number of rows: 1, number of positions: 3, number of connections: 3, product range: MSTBO 2,5/..-G1R, pitch: 5 mm, mounting: Wave soldering, pin layout: Linear pinning, solder pin [P]: 3.5 mm, number of solder pins per potential: 1, plug-in system: COMBICON MSTB 2,5, locking: without, type of packaging: packed in cardboard, Product with pin output on right side

MSTBO 2,5/ 3-G1L - PCB header

1861028

<https://www.phoenixcontact.com/pc/products/1861028>



PCB headers, nominal cross section: 2.5 mm², color: green, nominal current: 12 A, rated voltage (III/2): 320 V, contact surface: Tin, type of contact: Pin, number of rows: 1, number of positions: 3, product range: MSTBO 2,5/..-G1L, pitch: 5 mm, mounting: Wave soldering, pin layout: Linear pinning, solder pin [P]: 3.5 mm, number of solder pins per potential: 1, plug-in system: COMBICON MSTB 2,5, locking: without, type of packaging: packed in cardboard, Product with pin output on left side

ME 35 OT-MSTBO GN - Upper part of housing

2709639

<https://www.phoenixcontact.com/pc/products/2709639>

MSTBO 2,5/ 3-G1L YE - PCB header

2200111

<https://www.phoenixcontact.com/pc/products/2200111>



PCB headers, nominal cross section: 2.5 mm², color: yellow, nominal current: 12 A, rated voltage (III/2): 320 V, type of contact: Pin, number of potentials: 3, number of rows: 1, number of positions: 3, number of connections: 3, product range: MSTBO 2,5/...-G1L, pitch: 5 mm, mounting: Wave soldering, pin layout: Linear pinning, solder pin [P]: 3.5 mm, number of solder pins per potential: 1, plug-in system: COMBICON MSTB 2,5, locking: without, type of packaging: packed in cardboard, Product with pin output on left side

MSTBO 2,5/ 3-G1L OG - PCB header

2200371

<https://www.phoenixcontact.com/pc/products/2200371>



PCB headers, nominal cross section: 2.5 mm², color: orange, nominal current: 12 A, rated voltage (III/2): 320 V, type of contact: Pin, number of potentials: 3, number of rows: 1, number of positions: 3, number of connections: 3, product range: MSTBO 2,5/...-G1L, pitch: 5 mm, mounting: Wave soldering, pin layout: Linear pinning, solder pin [P]: 3.5 mm, number of solder pins per potential: 1, plug-in system: COMBICON MSTB 2,5, locking: without, type of packaging: packed in cardboard, Product with pin output on left side

ME 35 OT-MSTBO GN - Upper part of housing

2709639

<https://www.phoenixcontact.com/pc/products/2709639>



MSTBO 2,5/ 3-G1L GYWH - PCB header

2278487

<https://www.phoenixcontact.com/pc/products/2278487>



PCB headers, nominal cross section: 2.5 mm², color: grey-white, nominal current: 12 A, rated voltage (III/2): 320 V, type of contact: Pin, number of potentials: 3, number of rows: 1, number of positions: 3, number of connections: 3, product range: MSTBO 2,5/..-G1L, pitch: 5 mm, mounting: Wave soldering, pin layout: Linear pinning, solder pin [P]: 3.5 mm, number of solder pins per potential: 1, plug-in system: COMBICON MSTB 2,5, locking: without, type of packaging: packed in cardboard, Product with pin output on left side

MSTBO 2,5/ 3-G1R YE - PCB header

2200110

<https://www.phoenixcontact.com/pc/products/2200110>



PCB headers, nominal cross section: 2.5 mm², color: yellow, nominal current: 12 A, rated voltage (III/2): 320 V, type of contact: Pin, number of potentials: 3, number of rows: 1, number of positions: 3, number of connections: 3, product range: MSTBO 2,5/..-G1R, pitch: 5 mm, mounting: Wave soldering, pin layout: Linear pinning, solder pin [P]: 3.5 mm, number of solder pins per potential: 1, plug-in system: COMBICON MSTB 2,5, locking: without, type of packaging: packed in cardboard, Product with pin output on right side

ME 35 OT-MSTBO GN - Upper part of housing

2709639

<https://www.phoenixcontact.com/pc/products/2709639>

MSTBO 2,5/ 3-G1L RD - PCB header

2695918

<https://www.phoenixcontact.com/pc/products/2695918>



PCB headers, nominal cross section: 2.5 mm², color: red, nominal current: 12 A, rated voltage (III/2): 320 V, type of contact: Pin, number of potentials: 3, number of rows: 1, number of positions: 3, number of connections: 3, product range: MSTBO 2,5/..-G1L, pitch: 5 mm, mounting: Wave soldering, pin layout: Linear pinning, solder pin [P]: 3.5 mm, number of solder pins per potential: 1, plug-in system: COMBICON MSTB 2,5, locking: without, type of packaging: packed in cardboard, Product with pin output on left side

MSTBO 2,5/ 3-G1R OG - PCB header

2200377

<https://www.phoenixcontact.com/pc/products/2200377>



PCB headers, nominal cross section: 2.5 mm², color: orange, nominal current: 12 A, rated voltage (III/2): 320 V, type of contact: Pin, number of potentials: 3, number of rows: 1, number of positions: 3, number of connections: 3, product range: MSTBO 2,5/..-G1R, pitch: 5 mm, mounting: Wave soldering, pin layout: Linear pinning, solder pin [P]: 3.5 mm, number of solder pins per potential: 1, plug-in system: COMBICON MSTB 2,5, locking: without, type of packaging: packed in cardboard, Product with pin output on right side

ME 35 OT-MSTBO GN - Upper part of housing

2709639

<https://www.phoenixcontact.com/pc/products/2709639>

MSTBO 2,5/ 3-G1R GYWH - PCB header

2278490

<https://www.phoenixcontact.com/pc/products/2278490>



PCB headers, nominal cross section: 2.5 mm², color: grey-white, nominal current: 12 A, rated voltage (III/2): 320 V, type of contact: Pin, number of potentials: 3, number of rows: 1, number of positions: 3, number of connections: 3, product range: MSTBO 2,5/-G1R, pitch: 5 mm, mounting: Wave soldering, pin layout: Linear pinning, solder pin [P]: 3.5 mm, number of solder pins per potential: 1, plug-in system: COMBICON MSTB 2,5, locking: without, type of packaging: packed in cardboard, Product with pin output on right side

MSTBO 2,5/ 3-G1R RD - PCB header

2278296

<https://www.phoenixcontact.com/pc/products/2278296>



PCB headers, nominal cross section: 2.5 mm², color: red, nominal current: 12 A, rated voltage (III/2): 320 V, type of contact: Pin, number of potentials: 3, number of rows: 1, number of positions: 3, number of connections: 3, product range: MSTBO 2,5/-G1R, pitch: 5 mm, mounting: Wave soldering, pin layout: Linear pinning, solder pin [P]: 3.5 mm, number of solder pins per potential: 1, plug-in system: COMBICON MSTB 2,5, locking: without, type of packaging: packed in cardboard, Product with pin output on right side

ME 35 OT-MSTBO GN - Upper part of housing

2709639

<https://www.phoenixcontact.com/pc/products/2709639>

MSTBO 2,5/ 3-G1R BU - PCB header

2854733

<https://www.phoenixcontact.com/pc/products/2854733>



PCB headers, nominal cross section: 2.5 mm², color: blue, nominal current: 12 A, rated voltage (III/2): 320 V, type of contact: Pin, number of potentials: 3, number of rows: 1, number of positions: 3, number of connections: 3, product range: MSTBO 2,5/..-G1R, pitch: 5 mm, mounting: Wave soldering, pin layout: Linear pinning, solder pin [P]: 3.5 mm, number of solder pins per potential: 1, plug-in system: COMBICON MSTB 2,5, locking: without, type of packaging: packed in cardboard, Product with pin output on right side

MSTBO 2,5/ 3-G1L GY - PCB header

2909549

<https://www.phoenixcontact.com/pc/products/2909549>



PCB headers, nominal cross section: 2.5 mm², color: gray, nominal current: 12 A, rated voltage (III/2): 320 V, type of contact: Pin, number of potentials: 3, number of rows: 1, number of positions: 3, number of connections: 3, product range: MSTBO 2,5/..-G1L, pitch: 5 mm, mounting: Wave soldering, pin layout: Linear pinning, solder pin [P]: 3.5 mm, number of solder pins per potential: 1, plug-in system: COMBICON MSTB 2,5, locking: without, type of packaging: packed in cardboard, Product with pin output on left side

ME 35 OT-MSTBO GN - Upper part of housing

2709639

<https://www.phoenixcontact.com/pc/products/2709639>

MSTBO 2,5/ 3-G1L BU - PCB header

2854720

<https://www.phoenixcontact.com/pc/products/2854720>



PCB headers, nominal cross section: 2.5 mm², color: blue, nominal current: 12 A, rated voltage (III/2): 320 V, type of contact: Pin, number of potentials: 3, number of rows: 1, number of positions: 3, number of connections: 3, product range: MSTBO 2,5/..-G1L, pitch: 5 mm, mounting: Wave soldering, pin layout: Linear pinning, solder pin [P]: 3.5 mm, number of solder pins per potential: 1, plug-in system: COMBICON MSTB 2,5, locking: without, type of packaging: packed in cardboard, Product with pin output on left side

MSTBO 2,5/ 3-G1R BK - PCB header

2909633

<https://www.phoenixcontact.com/pc/products/2909633>



PCB headers, nominal cross section: 2.5 mm², color: black, nominal current: 12 A, rated voltage (III/2): 320 V, type of contact: Pin, number of potentials: 3, number of rows: 1, number of positions: 3, number of connections: 3, product range: MSTBO 2,5/..-G1R, pitch: 5 mm, mounting: Wave soldering, pin layout: Linear pinning, solder pin [P]: 3.5 mm, number of solder pins per potential: 1, plug-in system: COMBICON MSTB 2,5, locking: without, type of packaging: packed in cardboard, Product with pin output on right side

ME 35 OT-MSTBO GN - Upper part of housing

2709639

<https://www.phoenixcontact.com/pc/products/2709639>



MSTBO 2,5/ 3-G1L BK - PCB header

2909646

<https://www.phoenixcontact.com/pc/products/2909646>



PCB headers, nominal cross section: 2.5 mm², color: black, nominal current: 12 A, rated voltage (III/2): 320 V, type of contact: Pin, number of potentials: 3, number of rows: 1, number of positions: 3, number of connections: 3, product range: MSTBO 2,5/..-G1L, pitch: 5 mm, mounting: Wave soldering, pin layout: Linear pinning, solder pin [P]: 3.5 mm, number of solder pins per potential: 1, plug-in system: COMBICON MSTB 2,5, locking: without, type of packaging: packed in cardboard, Product with pin output on left side

MSTBO 2,5/ 3-G1R GY - PCB header

2909552

<https://www.phoenixcontact.com/pc/products/2909552>



PCB headers, nominal cross section: 2.5 mm², color: gray, nominal current: 12 A, rated voltage (III/2): 320 V, type of contact: Pin, number of potentials: 3, number of rows: 1, number of positions: 3, number of connections: 3, product range: MSTBO 2,5/..-G1R, pitch: 5 mm, mounting: Wave soldering, pin layout: Linear pinning, solder pin [P]: 3.5 mm, number of solder pins per potential: 1, plug-in system: COMBICON MSTB 2,5, locking: without, type of packaging: packed in cardboard, Product with pin output on right side

ME 35 OT-MSTBO GN - Upper part of housing

2709639

<https://www.phoenixcontact.com/pc/products/2709639>

MSTBO 2,5/ 3-G1R BUGY - PCB header

2853158

<https://www.phoenixcontact.com/pc/products/2853158>



PCB headers, nominal cross section: 2.5 mm², color: blue grey, nominal current: 12 A, rated voltage (III/2): 320 V, type of contact: Pin, number of potentials: 3, number of rows: 1, number of positions: 3, number of connections: 3, product range: MSTBO 2,5/..-G1R, pitch: 5 mm, mounting: Wave soldering, pin layout: Linear pinning, solder pin [P]: 3.5 mm, number of solder pins per potential: 1, plug-in system: COMBICON MSTB 2,5, locking: without, type of packaging: packed in cardboard, Product with pin output on right side

MSTBO 2,5/ 3-G1L BUGY - PCB header

2853145

<https://www.phoenixcontact.com/pc/products/2853145>



PCB headers, nominal cross section: 2.5 mm², color: blue grey, nominal current: 12 A, rated voltage (III/2): 320 V, type of contact: Pin, number of potentials: 3, number of rows: 1, number of positions: 3, number of connections: 3, product range: MSTBO 2,5/..-G1L, pitch: 5 mm, mounting: Wave soldering, pin layout: Linear pinning, solder pin [P]: 3.5 mm, number of solder pins per potential: 1, plug-in system: COMBICON MSTB 2,5, locking: without, type of packaging: packed in cardboard, Product with pin output on left side

ME 35 OT-MSTBO GN - Upper part of housing

2709639

<https://www.phoenixcontact.com/pc/products/2709639>



PSPT 2,5/ 3-ST KMGY - Printed-circuit board connector

2202345

<https://www.phoenixcontact.com/pc/products/2202345>



PCB connector, nominal cross section: 2.5 mm², color: light grey, nominal current: 16 A, rated voltage (III/2): 300 V, contact surface: Tin, type of contact: Socket, number of potentials: 3, number of rows: 1, number of positions: 3, number of connections: 3, product range: PSPT 2,5/...-ST, pitch: 5 mm, connection method: Push-in spring connection, conductor/PCB connection direction: 0 °, locking clip: - Locking clip, locking: without, mounting: without, type of packaging: packed in cardboard, Color of the spring lever: orange

PSPT 2,5/ 3-ST BU - Printed-circuit board connector

1064204

<https://www.phoenixcontact.com/pc/products/1064204>



PCB connector, nominal cross section: 2.5 mm², color: blue, nominal current: 16 A, rated voltage (III/2): 300 V, type of contact: Socket, number of potentials: 3, number of rows: 1, number of positions: 3, number of connections: 3, product range: PSPT 2,5/...-ST, pitch: 5 mm, connection method: Push-in spring connection, conductor/PCB connection direction: 0 °, locking clip: - Locking clip, locking: without, mounting: without, Color of the spring lever: orange

ME 35 OT-MSTBO GN - Upper part of housing

2709639

<https://www.phoenixcontact.com/pc/products/2709639>



PSPT 2,5/ 3-ST GY - Printed-circuit board connector

1064205

<https://www.phoenixcontact.com/pc/products/1064205>



PCB connector, nominal cross section: 2.5 mm², color: light grey, nominal current: 16 A, rated voltage (III/2): 300 V, type of contact: Socket, number of rows: 1, number of positions: 3, product range: PSPT 2,5/..-ST, pitch: 5 mm, connection method: Push-in spring connection, conductor/PCB connection direction: 0 °, locking clip: - Locking clip, locking: without, mounting: without, Color of the spring lever: orange

PSPT 2,5/ 3-ST GYBN - Printed-circuit board connector

2200876

<https://www.phoenixcontact.com/pc/products/2200876>



PCB connector, nominal cross section: 2.5 mm², color: grey brown, nominal current: 16 A, rated voltage (III/2): 300 V, type of contact: Socket, number of rows: 1, number of positions: 3, product range: PSPT 2,5/..-ST, pitch: 5 mm, connection method: Push-in spring connection, conductor/PCB connection direction: 0 °, locking clip: - Locking clip, locking: without, mounting: without, Color of the spring lever: orange

ME 35 OT-MSTBO GN - Upper part of housing

2709639

<https://www.phoenixcontact.com/pc/products/2709639>



MSTBT 2,5 HC/ 3-STP BK - Printed-circuit board connector

2200483

<https://www.phoenixcontact.com/pc/products/2200483>



PCB connector, nominal cross section: 2.5 mm², color: black, nominal current: 16 A, rated voltage (III/2): 320 V, contact surface: Tin, type of contact: Socket, number of rows: 1, number of positions: 3, product range: MSTBT 2,5 HC/..-STP, pitch: 5 mm, connection method: Screw connection with tension sleeve, conductor/PCB connection direction: 0 °, locking clip: - Locking clip, plug-in system: COMBICON MSTB 2,5 HC, locking: without, mounting: without, type of packaging: packed in cardboard

MSTBT 2,5 HC/ 3-STP GY7035 - Printed-circuit board connector

2200333

<https://www.phoenixcontact.com/pc/products/2200333>



PCB connector, nominal cross section: 2.5 mm², color: light grey, nominal current: 16 A, rated voltage (III/2): 320 V, contact surface: Tin, type of contact: Socket, number of rows: 1, number of positions: 3, product range: MSTBT 2,5 HC/..-STP, pitch: 5 mm, connection method: Screw connection with tension sleeve, conductor/PCB connection direction: 0 °, locking clip: - Locking clip, plug-in system: COMBICON MSTB 2,5 HC, locking: without, mounting: without, type of packaging: packed in cardboard

ME 35 OT-MSTBO GN - Upper part of housing

2709639

<https://www.phoenixcontact.com/pc/products/2709639>



MSTBT 2,5 HC/ 3-STP BU - Printed-circuit board connector

2203845

<https://www.phoenixcontact.com/pc/products/2203845>



PCB connector, nominal cross section: 2.5 mm², color: blue, nominal current: 16 A, rated voltage (III/2): 320 V, contact surface: Tin, type of contact: Socket, number of rows: 1, number of positions: 3, product range: MSTBT 2,5 HC/...-STP, pitch: 5 mm, connection method: Screw connection with tension sleeve, conductor/PCB connection direction: 0 °, locking clip: - Locking clip, plug-in system: COMBICON MSTB 2,5 HC, locking: without, mounting: without

GMSTBO 2,5 HV/ 2-GL-7,25 THR - PCB header

2199867

<https://www.phoenixcontact.com/pc/products/2199867>



PCB headers, nominal cross section: 2.5 mm², color: black, nominal current: 16 A, rated voltage (III/2): 630 V, type of contact: Pin, number of potentials: 2, number of rows: 1, number of positions: 2, number of connections: 2, product range: GMSTBO 2,5 HV, pitch: 7.25 mm, mounting: THR soldering, pin layout: Linear pinning, solder pin [P]: 2.1 mm, number of solder pins per potential: 1, plug-in system: COMBICON MSTB 2,5, Pin connector pattern alignment: Standard, type of packaging: packed in cardboard, Product with pin output on left side

ME 35 OT-MSTBO GN - Upper part of housing

2709639

<https://www.phoenixcontact.com/pc/products/2709639>



GMSTBO 2,5 HV/ 2-GL-7,25THRR32 - PCB header

2279703

<https://www.phoenixcontact.com/pc/products/2279703>



PCB headers, nominal cross section: 2.5 mm², color: black, nominal current: 16 A, rated voltage (III/2): 630 V, type of contact: Pin, number of potentials: 2, number of rows: 1, number of positions: 2, number of connections: 2, product range: GMSTBO 2,5 HV, pitch: 7.25 mm, mounting: THR soldering, pin layout: Linear pinning, solder pin [P]: 2.1 mm, number of solder pins per potential: 1, plug-in system: COMBICON MSTB 2,5, Pin connector pattern alignment: Standard, type of packaging: 32 mm wide tape, Product with pin output on left side

GMSTBO 2,5 HV/ 2-GR-7,25 THR - PCB header

2199760

<https://www.phoenixcontact.com/pc/products/2199760>



PCB headers, nominal cross section: 2.5 mm², color: black, nominal current: 16 A, rated voltage (III/2): 630 V, type of contact: Pin, number of potentials: 2, number of rows: 1, number of positions: 2, number of connections: 2, product range: GMSTBO 2,5 HV, pitch: 7.25 mm, mounting: THR soldering, pin layout: Linear pinning, solder pin [P]: 2.1 mm, number of solder pins per potential: 1, plug-in system: COMBICON MSTB 2,5, Pin connector pattern alignment: Standard, type of packaging: packed in cardboard, Product with pin output on right side

ME 35 OT-MSTBO GN - Upper part of housing

2709639

<https://www.phoenixcontact.com/pc/products/2709639>



GMSTBO 2,5 HV/ 2-GR-7,25THRR32 - PCB header

2279606

<https://www.phoenixcontact.com/pc/products/2279606>



PCB headers, nominal cross section: 2.5 mm², color: black, nominal current: 16 A, rated voltage (III/2): 630 V, type of contact: Pin, number of potentials: 2, number of rows: 1, number of positions: 2, number of connections: 2, product range: GMSTBO 2,5 HV, pitch: 7.25 mm, mounting: THR soldering, pin layout: Linear pinning, solder pin [P]: 2.1 mm, number of solder pins per potential: 1, plug-in system: COMBICON MSTB 2,5, Pin connector pattern alignment: Standard, type of packaging: 32 mm wide tape, Product with pin output on right side

GMSTBT 2,5 HV/2-ST-7,25 GY7035 - Printed-circuit board connector

2199757

<https://www.phoenixcontact.com/pc/products/2199757>



PCB connector, nominal cross section: 2.5 mm², color: light grey, nominal current: 16 A, rated voltage (III/2): 1000 V, contact surface: Tin, type of contact: Socket, number of rows: 1, number of positions: 2, product range: GMSTBT 2,5 HV/...-ST, pitch: 7.25 mm, connection method: Screw connection with tension sleeve, conductor/PCB connection direction: 0 °, locking clip: - Locking clip, locking: without, mounting: without, type of packaging: packed in cardboard

Accessories

ME 35 OT-MSTBO GN - Upper part of housing

2709639

<https://www.phoenixcontact.com/pc/products/2709639>



ME B-17,5 MSTBO GN - Filler plugs

2906869

<https://www.phoenixcontact.com/pc/products/2906869>



DIN rail housing, Filler plug for unoccupied terminal points (MSTBO), width: 15 mm, height: 19.05 mm, depth: 12.3 mm, color: green (6021)

ME B-17,5 MSTBO GN VPE 500 - Filler plugs

2713421

<https://www.phoenixcontact.com/pc/products/2713421>



DIN rail housing, Filler plug for unoccupied terminal points, color: green (6021)

ME 35 OT-MSTBO GN - Upper part of housing

2709639

<https://www.phoenixcontact.com/pc/products/2709639>

HS LC-H-D3/ R1XC1 - Fiber optic

2202313

<https://www.phoenixcontact.com/pc/products/2202313>

Multiple light guides, passive, rigid, can be used for the ME, ME-MAX, ME-IO, ME PLC, and EH housing ranges (housing must be processed)



HS LC-H-5X2/ R1XC1 - Fiber optic

2202314

<https://www.phoenixcontact.com/pc/products/2202314>

Single light guide, passive, rigid, can be used for the ME, ME-MAX, ME-IO, ME PLC, and EH housing ranges (housing must be processed)



ME 35 OT-MSTBO GN - Upper part of housing

2709639

<https://www.phoenixcontact.com/pc/products/2709639>



HS LC-H-D3/ R2XC1-5,08 - Fiber optic

2202315

<https://www.phoenixcontact.com/pc/products/2202315>

Multiple light guides, passive, rigid, can be used for the ME, ME-MAX, ME-IO, ME PLC, and EH housing ranges (housing must be processed)



HS LC-H-D2/ R2XC1-2,54 - Fiber optic

2202316

<https://www.phoenixcontact.com/pc/products/2202316>

Multiple light guides with glare protection, passive, rigid, can be used for the ME, ME-MAX, ME-IO, ME PLC, and EH housing ranges (housing must be processed)



ME 35 OT-MSTBO GN - Upper part of housing

2709639

<https://www.phoenixcontact.com/pc/products/2709639>

HS LC-H-D2/ R2XC2-2,54 - Fiber optic

2202317

<https://www.phoenixcontact.com/pc/products/2202317>



Multiple light guides with glare protection, passive, rigid, can be used for the ME, ME-MAX, ME-IO, ME PLC, and EH housing ranges (housing must be processed)

HS LC-H-D2/ R2XC5-2,54 - Fiber optic

2202318

<https://www.phoenixcontact.com/pc/products/2202318>



Multiple light guides with glare protection, passive, rigid, can be used for the ME, ME-MAX, ME-IO, ME PLC, and EH housing ranges (housing must be processed)

ME 35 OT-MSTBO GN - Upper part of housing

2709639

<https://www.phoenixcontact.com/pc/products/2709639>

HS LC-H-D2/ R2XC10-2,54 - Fiber optic

2202319

<https://www.phoenixcontact.com/pc/products/2202319>

Multiple light guides with glare protection, passive, rigid, can be used for the ME, ME-MAX, ME-IO, ME PLC, and EH housing ranges (housing must be processed)



HS LC-H-D2/ R4XC2-2,54 - Fiber optic

2202320

<https://www.phoenixcontact.com/pc/products/2202320>

Multiple light guides with glare protection, passive, rigid, can be used for the ME, ME-MAX, ME-IO, ME PLC, and EH housing ranges (housing must be processed)



ME 35 OT-MSTBO GN - Upper part of housing

2709639

<https://www.phoenixcontact.com/pc/products/2709639>

HS LC-H-D2/ R4XC5-2,54 - Fiber optic

2202321

<https://www.phoenixcontact.com/pc/products/2202321>



Multiple light guides with glare protection, passive, rigid, can be used for the ME, ME-MAX, ME-IO, ME PLC, and EH housing ranges (housing must be processed)

HS LC-H-D2/ R4XC9-2,54 - Fiber optic

2202322

<https://www.phoenixcontact.com/pc/products/2202322>



Multiple light guides with glare protection, passive, rigid, can be used for the ME, ME-MAX, ME-IO, ME PLC, and EH housing ranges (housing must be processed)

ME 35 OT-MSTBO GN - Upper part of housing

2709639

<https://www.phoenixcontact.com/pc/products/2709639>

HS LC-H-D2/ R4XC10-2,54 - Fiber optic

2202323

<https://www.phoenixcontact.com/pc/products/2202323>



Multiple light guides with glare protection, passive, rigid, can be used for the ME, ME-MAX, ME-IO, ME PLC, and EH housing ranges (housing must be processed)

HS LC-H-D2C/ R2XC1-2,54 - Fiber optic

1036658

<https://www.phoenixcontact.com/pc/products/1036658>



Multiple light guides with glare protection, passive, rigid, can be used for the ME, ME-MAX, ME-IO, ME PLC, and EH housing ranges (housing must be processed)

ME 35 OT-MSTBO GN - Upper part of housing

2709639

<https://www.phoenixcontact.com/pc/products/2709639>

HS LC-H-D2C/ R2XC2-2,54 - Fiber optic

1043044

<https://www.phoenixcontact.com/pc/products/1043044>



Multiple light guides with glare protection, passive, rigid, can be used for the ME, ME-MAX, ME-IO, ME PLC, and EH housing ranges (housing must be processed)

HS LC-H-D2C/ R2XC5-2,54 - Fiber optic

1071310

<https://www.phoenixcontact.com/pc/products/1071310>



Multiple light guides with glare protection, passive, rigid, can be used for the ME, ME-MAX, ME-IO, ME PLC, and EH housing ranges (housing must be processed)

ME 35 OT-MSTBO GN - Upper part of housing

2709639

<https://www.phoenixcontact.com/pc/products/2709639>



HS LC-H-D2C/ R2XC10-2,54 - Fiber optic

1071314

<https://www.phoenixcontact.com/pc/products/1071314>

Multiple light guides with glare protection, passive, rigid, can be used for the ME, ME-MAX, ME-IO, ME PLC, and EH housing ranges (housing must be processed)



HS LC-H-D2C/ R4XC2-2,54 - Fiber optic

1071316

<https://www.phoenixcontact.com/pc/products/1071316>

Multiple light guides with glare protection, passive, rigid, can be used for the ME, ME-MAX, ME-IO, ME PLC, and EH housing ranges (housing must be processed)



ME 35 OT-MSTBO GN - Upper part of housing

2709639

<https://www.phoenixcontact.com/pc/products/2709639>

HS LC-H-D2C/ R4XC5-2,54 - Fiber optic

1071318

<https://www.phoenixcontact.com/pc/products/1071318>



Multiple light guides with glare protection, passive, rigid, can be used for the ME, ME-MAX, ME-IO, ME PLC, and EH housing ranges (housing must be processed)

HS LC-H-D2C/ R4XC9-2,54 - Fiber optic

1071321

<https://www.phoenixcontact.com/pc/products/1071321>



Multiple light guides with glare protection, passive, rigid, can be used for the ME, ME-MAX, ME-IO, ME PLC, and EH housing ranges (housing must be processed)

ME 35 OT-MSTBO GN - Upper part of housing

2709639

<https://www.phoenixcontact.com/pc/products/2709639>



HS LC-H-D2C/ R4XC10-2,54 - Fiber optic

1071329

<https://www.phoenixcontact.com/pc/products/1071329>

Multiple light guides with glare protection, passive, rigid, can be used for the ME, ME-MAX, ME-IO, ME PLC, and EH housing ranges (housing must be processed)



ME-SAS - Shield connection clamp

2853899

<https://www.phoenixcontact.com/pc/products/2853899>

Shield connection clamp for terminal points starting from 2.5 mm²



ME 35 OT-MSTBO GN - Upper part of housing

2709639

<https://www.phoenixcontact.com/pc/products/2709639>



ME-SAS MINI - Shield connection clamp

2200456

<https://www.phoenixcontact.com/pc/products/2200456>

Shield connection clamp for terminal points starting from 1.5 mm²



Phoenix Contact 2023 © - all rights reserved

<https://www.phoenixcontact.com>

PHOENIX CONTACT GmbH & Co. KG

Flachsmarktstraße 8

D-32825 Blomberg

+49 (0) 5235-3 00

info@phoenixcontact.com