

PSI-MOS-RS232/FO 850 T - FO converters



2708423

<https://www.phoenixcontact.com/in/products/2708423>

Please be informed that the data shown in this PDF document is generated from our Online Catalog. Please find the complete data in the user documentation. Our General Terms of Use for Downloads are valid.



FO converter with integrated optical diagnostics, alarm contact, for RS-232 interfaces up to 115.2 kbps, T-coupler with two FO interfaces (BFOC), 850 nm, for PCF/fiberglass cable (multimode)

Your advantages

- Supply voltage and data signals routed through the DIN rail connectors
- Connections can be plugged in via a COMBICON screw terminal block
- Redundant power supply possible by means of optional system power supply unit
- High-quality electrical isolation between all interfaces (RS-232 // fiber optic ports // power supply // DIN rail connector)
- Approved for use in zone 2
- Intrinsically safe fiber optic interface (Ex op is) for direct connection to devices in zone 1
- Integrated optical diagnostics for continuous monitoring of FO paths
- Floating switch contact for advance warning of critical FO paths
- Automatic data rate detection for all data rates up to 115.2 kbps

Commercial Data

Item number	2708423
Packing unit	1 pc
Minimum order quantity	1 pc
Sales Key	DNC
Product Key	DNC215
Catalog Page	Page 439 (C-6-2019)
GTIN	4017918974114
Weight per Piece (including packing)	268.8 g
Weight per Piece (excluding packing)	200.58 g
Customs tariff number	85176200
Country of origin	DE

Technical Data

Notes

Utilization restriction

EMC note	EMC: class A product, see manufacturer's declaration in the download area
----------	---

Utilization restriction

CCCex note	Use in potentially explosive areas is not permitted in China.
------------	---

Product properties

Product type	Media converter
MTTF	789 Years (SN 29500 standard, temperature 25°C, operating cycle 21%)
	324 Years (SN 29500 standard, temperature 40°C, operating cycle 34.25%)
	134 Years (SN 29500 standard, temperature 40°C, operating cycle 100%)
MTBF	177 Years (Telcordia standard, 25°C temperature, 21% operating cycle (5 days a week, 8 hours a day))
	26 Years (Telcordia standard, 40°C temperature, 34.25% operating cycle (5 days a week, 12 hours a day))

Electrical properties

Electrical isolation	VCC // V.24 (RS-232)
Maximum power dissipation for nominal condition	2.88 W
Test voltage data interface/power supply	1.5 kV _{rms} (50 Hz, 1 min.)

Supply

Supply voltage range	18 V DC ... 30 V DC
Nominal supply voltage	24 V DC (in acc. with UL)
Typical current consumption	120 mA (24 V DC)
Max. current consumption	120 mA
Connection method	COMBICON plug-in screw terminal block

Output data

Switching

Output name	Relay output
Output description	Alarm output
Number of outputs	1
Maximum switching voltage	60 V DC
	42 V AC
Limiting continuous current	0.46 A

Connection data

PSI-MOS-RS232/FO 850 T - FO converters



2708423

<https://www.phoenixcontact.com/in/products/2708423>

Supply

Connection method	COMBICON plug-in screw terminal block
Tightening torque	0.56 Nm ... 0.79 Nm

Interfaces

Bit distortion, input	± 35 % (permitted)
Bit distortion, output	< 6.25 %
Signal	Modbus
Transmission channels	2 (1/1), RxD, TxD, full duplex

Data: optical FO

No. of channels	2
Transmit capacity, minimum	-4.6 dBm (200/230 µm)
	-17.6 dBm (50/125 µm)
	-13.6 dBm (62,5/125 µm)
Transmission length incl. 3 dB system reserve	2800 m (with F-K 200/230 8 dB/km with quick mounting connector)
	4200 m (with F-G 50/125 2.5 dB/km)
	4800 m (with F-G 62,5/125 3.0 dB/km)
Transmission protocol	Transparent to protocol for RS-232 interface
Connection method	B-FOC (ST [®])
Wavelength	850 nm
Minimum receiver sensitivity	-33.2 dBm
Transmission medium	PCF fiber
	Multi-mode fiberglass

Data: V.24 (RS-232) interface in acc. with ITU-T V.28, EIA/TIA-232, DIN 66259-1

Serial transmission speed	4.8 Kbps ... 115.2 Kbps
Connection method	D-SUB 9 plug
Transmission length	≤ 15 m
Conductor cross section flexible max.	2.5 mm ²
Conductor cross section flexible min.	0.2 mm ²
Conductor cross section, rigid max.	2.5 mm ²
Conductor cross section, rigid min.	0.2 mm ²
Max. AWG conductor cross section, flexible	14
Min. AWG conductor cross section, flexible	24
Single-wire/terminal point, rigid AWG max.	14
Single-wire/terminal point, rigid AWG min.	24
Transmission medium	Copper
File format/coding	UART (11 Bit, NRZ)
Data direction switching	Automatic control

Dimensions

Width	35 mm
Height	99 mm

Depth	105 mm
-------	--------

Material specifications

Material Housing	PA 6.6-FR
------------------	-----------

Cable/line

FO cable

Fiber types	200/230 µm
	50/125 µm
	62.5/125 µm
	PCF fiber
	Fiberglass

Environmental and real-life conditions

Ambient conditions

Degree of protection	IP20
Ambient temperature (operation)	-20 °C ... 60 °C
Ambient temperature (storage/transport)	-40 °C ... 85 °C
Altitude	≤ 5000 m (For restrictions, see the manufacturer's declaration for altitude operation)
Permissible humidity (operation)	30 % ... 95 % (non-condensing)

Approvals

CE

Certificate	CE-compliant
-------------	--------------

EAC

Identification	EAC
----------------	-----

ATEX

Identification	<input type="checkbox"/> II 3 G Ex nA nC IIC T4 Gc X
Note	Please follow the special installation instructions in the documentation!

ATEX, FO interface

Identification	<input type="checkbox"/> II (2) G [Ex op is Gb] IIC
	<input type="checkbox"/> II (2) D [Ex op is Db] IIIC
Certificate	PTB 06 ATEX 2042 U
Note	Please follow the special installation instructions in the documentation!

UL, USA/Canada

Identification	Class I, Zone 2, AEx nc IIC T5
	Class I, Zone 2, Ex nC nL IIC T5 X
	Class I, Div. 2, Groups A, B, C, D

Corrosive gas test

Identification	ISA-S71.04-1985 G3 Harsh Group A
----------------	----------------------------------

EMC data

Noise immunity	EN 61000-6-2:2005
Electromagnetic compatibility	Conformance with EMC Directive 2014/30/EU
Noise emission	EN 55011

Electrostatic discharge

Standards/regulations	EN 61000-4-2
-----------------------	--------------

Electrostatic discharge

Contact discharge	± 6 kV
Discharge in air	± 8 kV
Comments	Criterion B

Electromagnetic HF field

Standards/regulations	EN 61000-4-3
-----------------------	--------------

Electromagnetic HF field

Comments	Criterion A
----------	-------------

Fast transients (burst)

Standards/regulations	EN 61000-4-4
-----------------------	--------------

Fast transients (burst)

Comments	Criterion B
----------	-------------

Surge current load (surge)

Standards/regulations	EN 61000-4-5
-----------------------	--------------

Surge current load (surge)

Comments	Criterion B
----------	-------------

Conducted interference

Standards/regulations	EN 61000-4-6
-----------------------	--------------

Conducted interference

Comments	Criterion A
Voltage	10 V

Emitted interference

Standards/regulations	EN 55011
Comments	Class A, industrial applications

Criteria

Criterion A	Normal operating behavior within the specified limits.
Criterion B	Temporary impairment to operational behavior that is corrected by the device itself.

PSI-MOS-RS232/FO 850 T - FO converters



2708423

<https://www.phoenixcontact.com/in/products/2708423>

Standards and regulations

Free from substances that could impair the application of coating

in accordance with VW-AUDI-Seat central standard P-VW 3.10.7
57 65 0

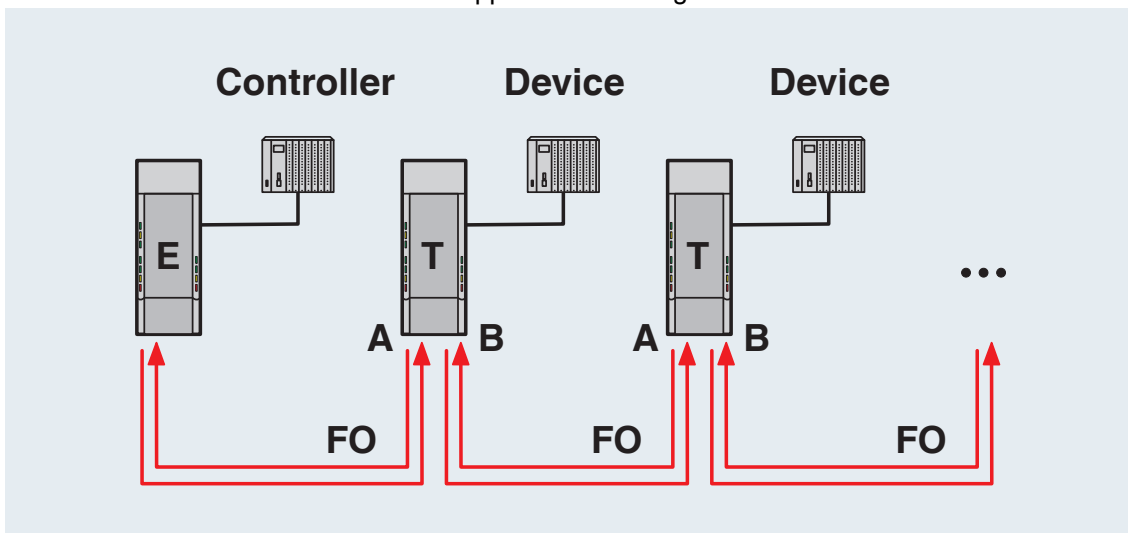
Mounting

Mounting type

DIN rail mounting

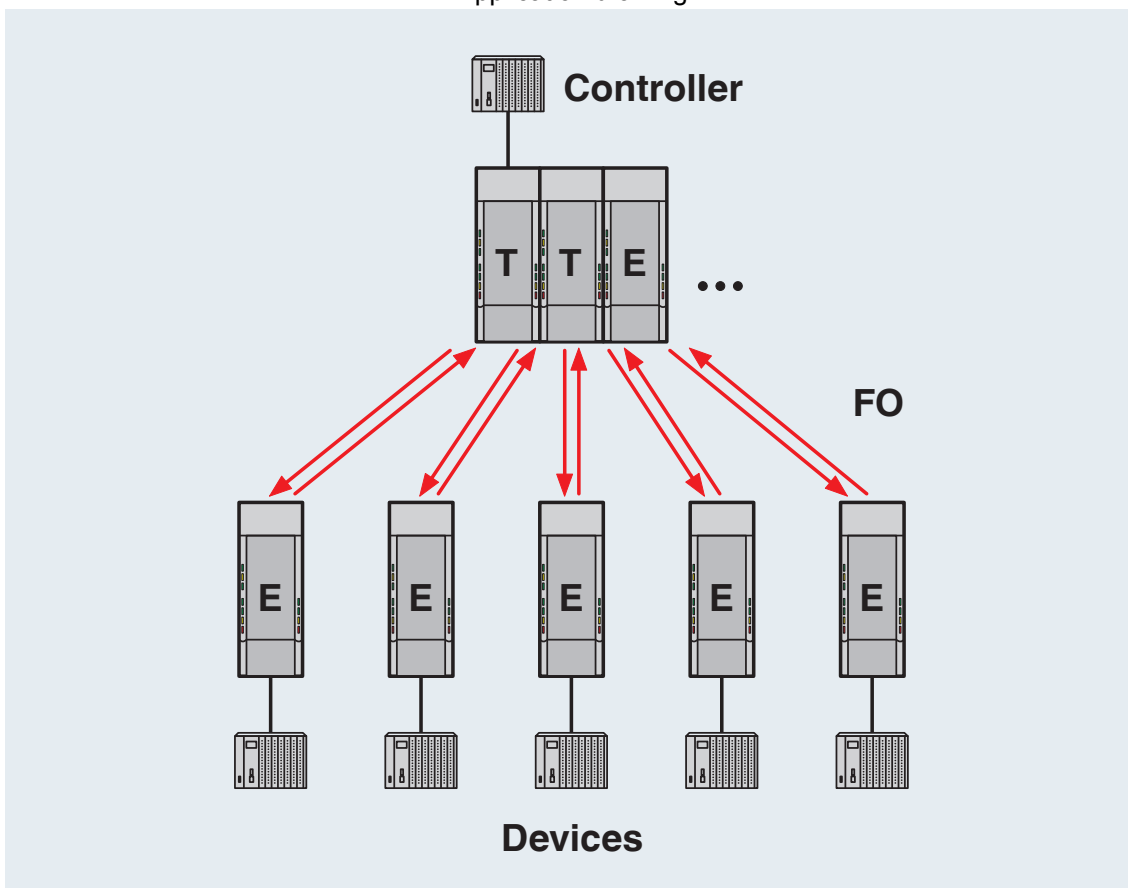
Drawings

Application drawing



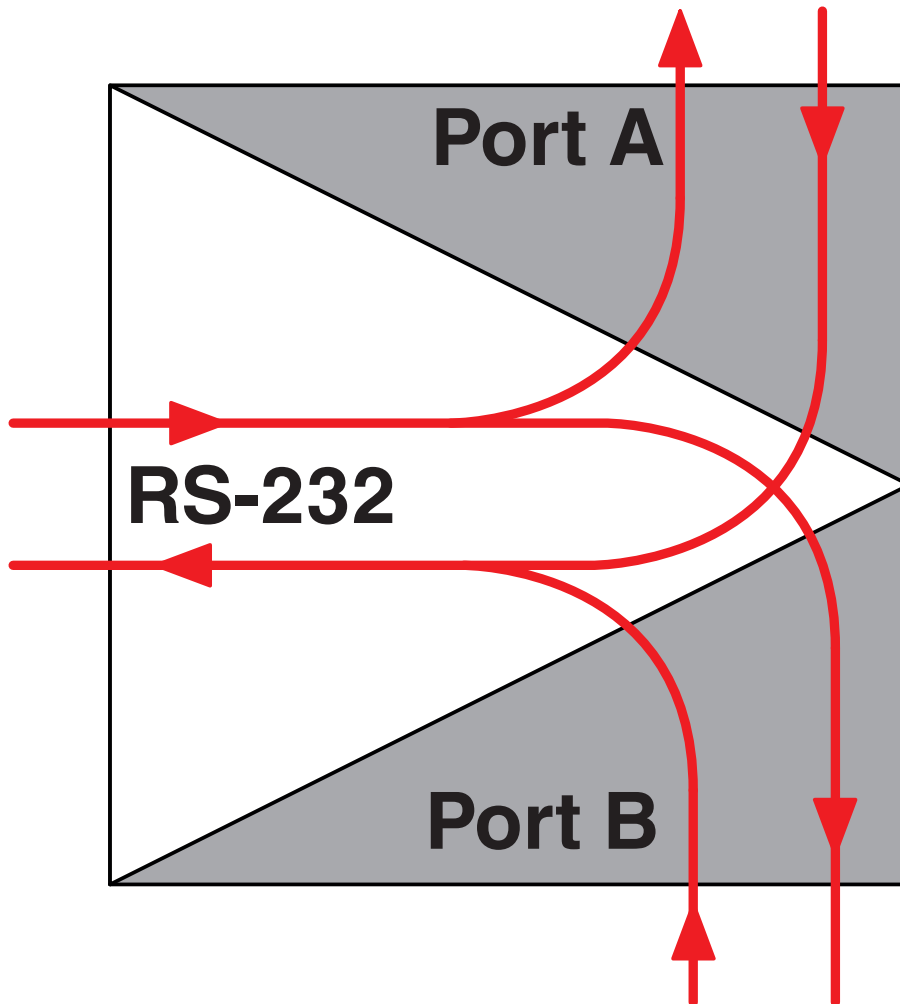
Controller-device line structure

Application drawing



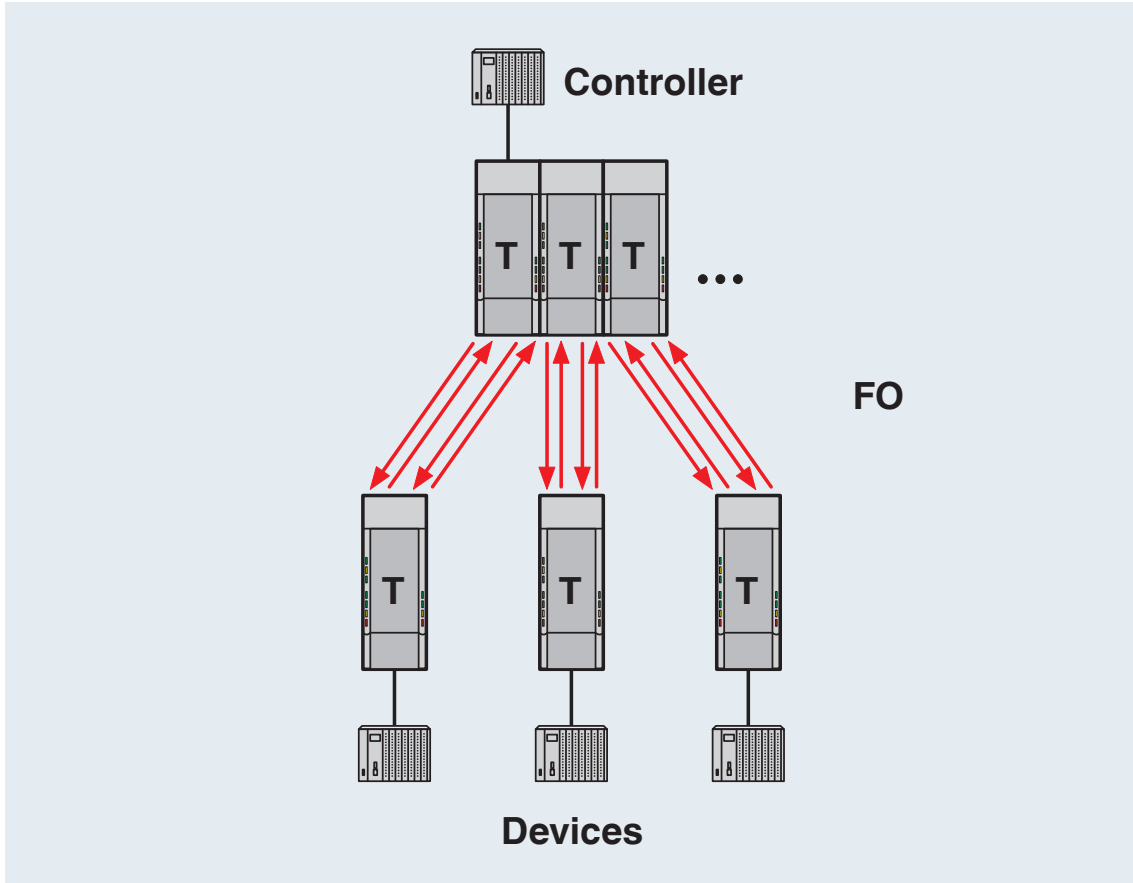
Star structure

Schematic diagram



Port assignment in star structures

Application drawing

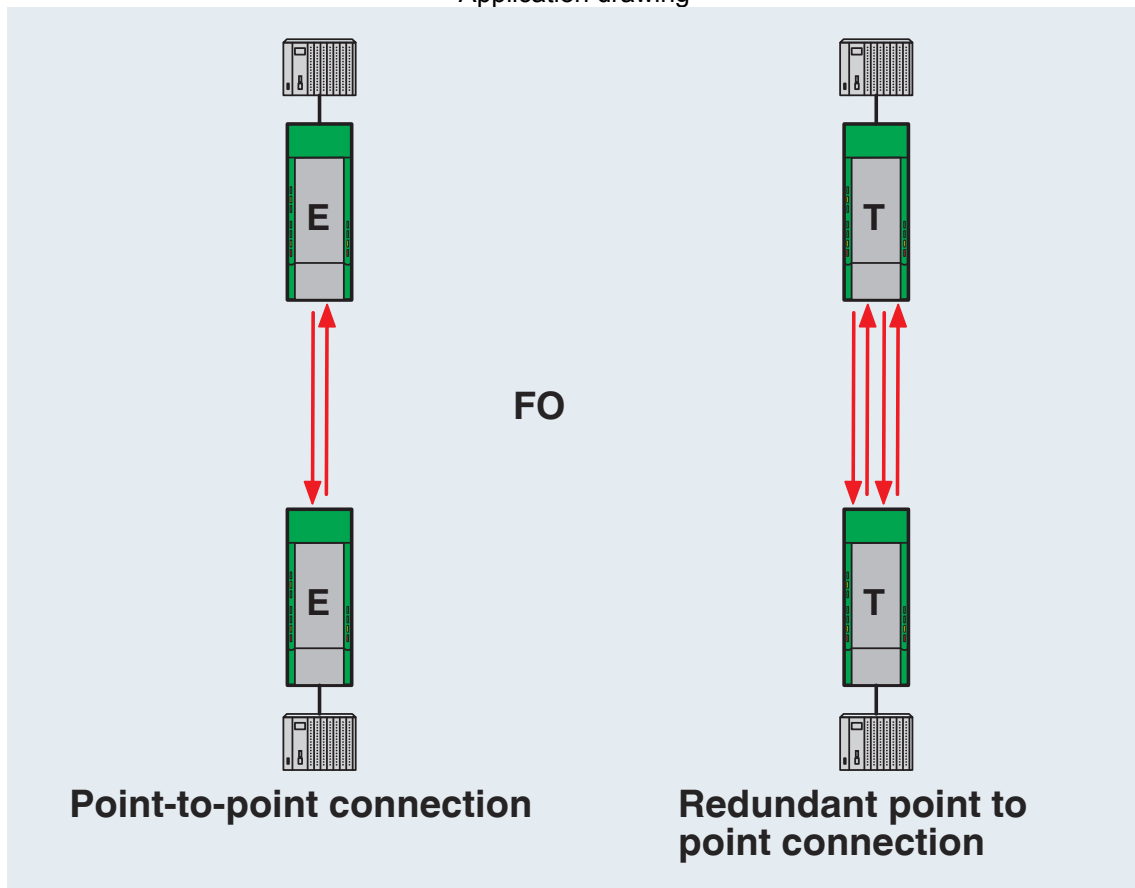


Redundant structure

2708423

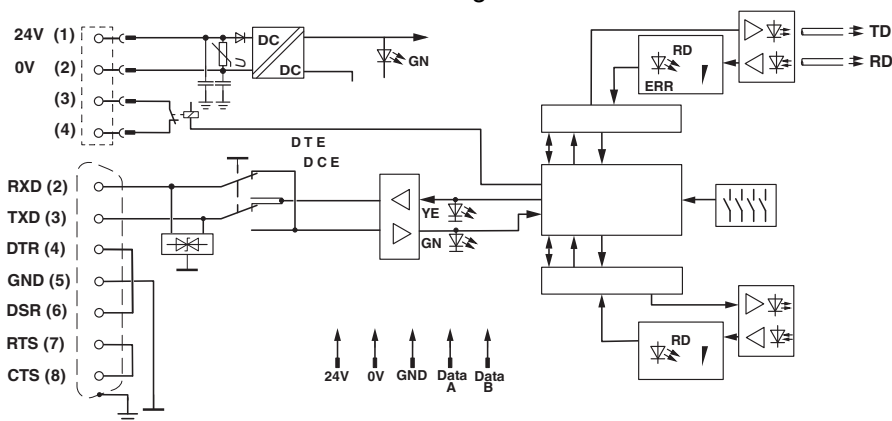
<https://www.phoenixcontact.com/in/products/2708423>

Application drawing



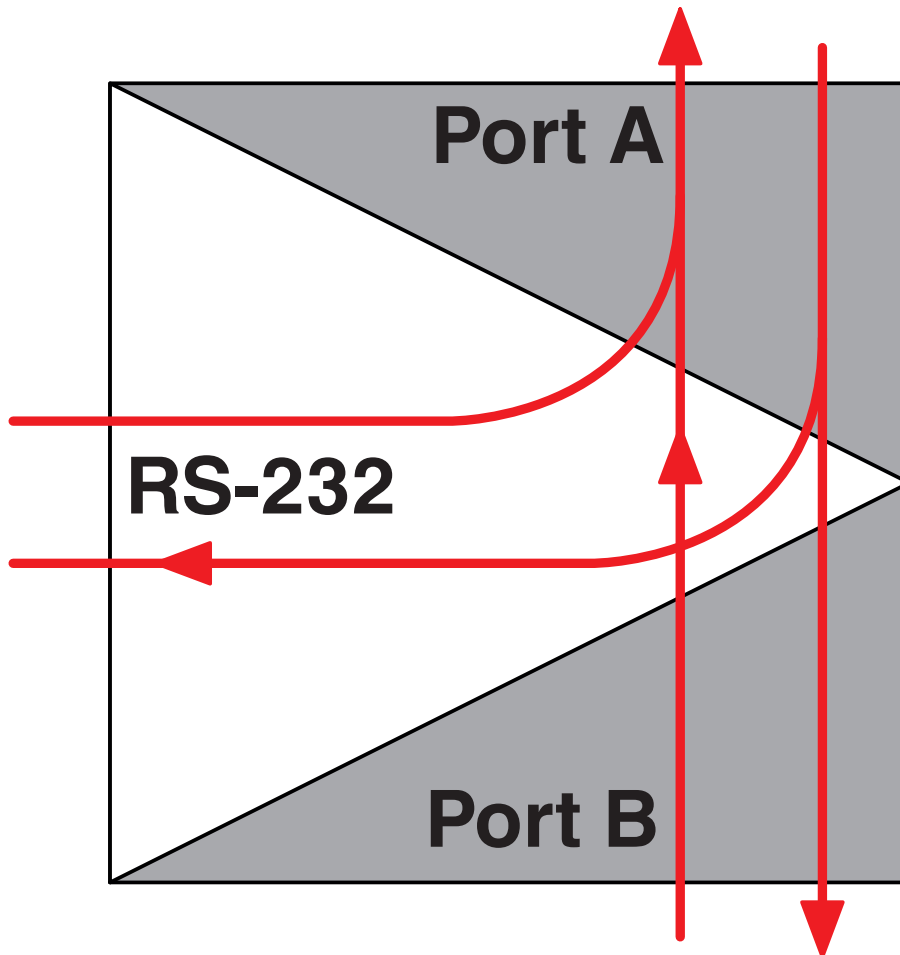
Redundant point-to-point connection

Block diagram



*) only with PSI-MOS.../FO...T

Schematic diagram



Port assignment in a line structure

2708423

<https://www.phoenixcontact.com/in/products/2708423>

Approvals



cUL Recognized
Approval ID: FILE E 238705



UL Recognized
Approval ID: FILE E 238705



EAC
Approval ID: RU *-DE.A*30.B.01735



ATEX
Approval ID: PTB 06 ATEX 2042U



ATEX
Approval ID: PxCIF06ATEX2708261X



cUL Listed
Approval ID: FILE E 199827



UL Listed
Approval ID: FILE E 199827

PSI-MOS-RS232/FO 850 T - FO converters



2708423

<https://www.phoenixcontact.com/in/products/2708423>

Classifications

ECLASS

ECLASS-11.0	19170411
ECLASS-12.0	19170411
ECLASS-13.0	19170411

ETIM

ETIM 8.0	EC001467
----------	----------

UNSPSC

UNSPSC 21.0	43201500
-------------	----------

PSI-MOS-RS232/FO 850 T - FO converters



2708423

<https://www.phoenixcontact.com/in/products/2708423>

Environmental Product Compliance

REACH SVHC	Lead 7439-92-1
China RoHS	Environmentally Friendly Use Period = 50 years
	For information on hazardous substances, refer to the manufacturer's declaration available under "Downloads"

PSI-MOS-RS232/FO 850 T - FO converters



2708423

<https://www.phoenixcontact.com/in/products/2708423>

Accessories

PSM-SET-B-FOC/4-HCS - FO connectors

2708481

<https://www.phoenixcontact.com/in/products/2708481>

FO connectors, degree of protection: IP20, number of positions: 4, MM, material: Metal, connection method: Cable connection, cable outlet: straight



PSM-LWL-HCS-RUGGED-200/230 - FO cable

2799885

<https://www.phoenixcontact.com/in/products/2799885>

PCF cable, duplex 200 μm /230 μm , by the meter without male connector, for installation in stationary systems and machines



PSI-MOS-RS232/FO 850 T - FO converters

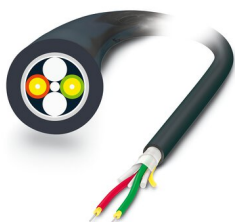
2708423

<https://www.phoenixcontact.com/in/products/2708423>

PSM-LWL-HCSO-200/230 - FO cable

2799445

<https://www.phoenixcontact.com/in/products/2799445>



PCF cable, duplex 200/230 μm , by the meter, without connector, for outdoor installation

PSM-LWL-GDM-RUGGED- 50/125 - FO cable

2799322

<https://www.phoenixcontact.com/in/products/2799322>



Fiber glass cable, duplex 50 μm /125 μm , by the meter, without male connector, for installation in stationary systems and machines

PSI-MOS-RS232/FO 850 T - FO converters

2708423

<https://www.phoenixcontact.com/in/products/2708423>

PSM-LWL-GDO- 50/125 - FO cable

2799432

<https://www.phoenixcontact.com/in/products/2799432>



Fiberglass cable, duplex 50/125 μm , by the meter, without connector, for outdoor installation

QUINT4-SYS-PS/1AC/24DC/2.5/SC - Power supply unit

2904614

<https://www.phoenixcontact.com/in/products/2904614>



Primary-switched power supply, QUINT POWER, screw connection, DIN rail mounting, supply of devices possible via the TBUS DIN rail connector, protective coating, input: single-phase, output: 24 V DC/2.5 A

PSI-MOS-RS232/FO 850 T - FO converters

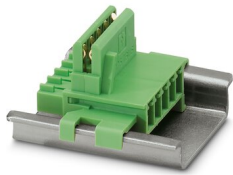
2708423

<https://www.phoenixcontact.com/in/products/2708423>

ME 17,5 TBUS 1,5/ 5-ST-3,81 GN - DIN rail bus connectors

2709561

<https://www.phoenixcontact.com/in/products/2709561>

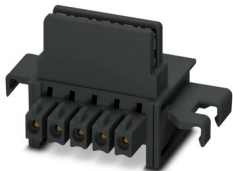


DIN rail connector for DIN rail mounting. Universal for TBUS housing. Gold-plated contacts, 5-pos.

ME 17,5 TBUS 1,5/PP000-3,81 BK - DIN rail bus connectors

2890014

<https://www.phoenixcontact.com/in/products/2890014>



DIN rail connector for DIN rail mounting. Universal for TBUS housing. Gold-plated contacts, 2-pos.

PSI-MOS-RS232/FO 850 T - FO converters



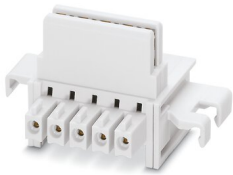
2708423

<https://www.phoenixcontact.com/in/products/2708423>

ME 17,5 TBUS 1,5/ 5-ST-3,81 KMGY - DIN rail bus connectors

2713645

<https://www.phoenixcontact.com/in/products/2713645>



DIN rail connector, color: light grey, nominal current: 8 A (parallel contacts), rated voltage (III/2): 125 V, number of positions: 5, pitch: 3.81 mm, mounting: DIN rail mounting, locking: without, mounting: without, type of packaging: packed in cardboard, Item with gold-plated contacts, bus connectors for connecting with electronics housings, 5 parallel contacts

PSM-HCS-KONFTOOL/B-FOC - Assembly tool

2708465

<https://www.phoenixcontact.com/in/products/2708465>



HCS assembly kit for B-FOC(ST) quick mounting connectors, including stripping blade, stripping pliers, aramide yarn scissors, fiber stripper, microscope, fiber cleaving tool for standard HCS and HCS GI fibers, four B-FOC(ST) connectors for standard HCS fiber, and documentation

PSI-MOS-RS232/FO 850 T - FO converters

2708423

<https://www.phoenixcontact.com/in/products/2708423>



PSM-FO-POWERMETER - Measuring instrument

2799539

<https://www.phoenixcontact.com/in/products/2799539>



Fiber optic measuring case, consisting of an optical power meter, F-SMA, B-FOC adapters, reference fibers and operating instructions

PSM-SET-BFOC-LINK/2 - Fiber optic coupling

2799429

<https://www.phoenixcontact.com/in/products/2799429>

Coupling; set consisting of 2 couplings for connecting B-FOC plugs



PSI-MOS-RS232/FO 850 T - FO converters

2708423

<https://www.phoenixcontact.com/in/products/2708423>

SUBCON-PLUS 9/F - D-SUB bus connector

2744241

<https://www.phoenixcontact.com/in/products/2744241>



D-SUB connector, 9-pos. female connector, two 35° cable entries, universal type for all systems, pin assignment: 1, 2, 3, 4, 5, 6, 7, 8, 9 to one screw connection terminal block

SUBCON-PLUS 9/M - D-SUB bus connector

2744018

<https://www.phoenixcontact.com/in/products/2744018>



D-SUB connector, 9-pos., male connector, two 35° cable entries, universal type for all systems, pin assignment: 1, 2, 3, 4, 5, 6, 7, 8, 9 to one screw connection terminal block

PSI-MOS-RS232/FO 850 T - FO converters



2708423

<https://www.phoenixcontact.com/in/products/2708423>

SZS 0,4X2,5 VDE - Screwdriver

1205037

<https://www.phoenixcontact.com/in/products/1205037>



Screwdriver, slot-headed, VDE insulated, size: 0.4 x 2.5 x 80 mm, 2-component grip, with non-slip grip

PSM-KA9SUB9/BB/2METER - Data cable

2799474

<https://www.phoenixcontact.com/in/products/2799474>

RS-232 cable, 9-pos. D-SUB socket on 9-pos. D-SUB socket, 9-wire, 1:1



PSI-MOS-RS232/FO 850 T - FO converters

2708423

<https://www.phoenixcontact.com/in/products/2708423>



PSM-ME-RS232/RS485-P - Interface converter

2744416

<https://www.phoenixcontact.com/in/products/2744416>



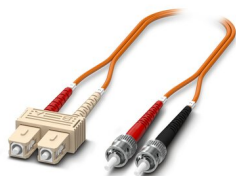
Interface converter, for converting RS-232 (V.24) to RS-422 (V.11) and RS-485, with electrical isolation, 2 channels, rail-mountable

FOC-ST:PA-SC:PA-OM2:D01/1 - FO patch cable

1115574

<https://www.phoenixcontact.com/in/products/1115574>

Multi-mode OM2 duplex jumper, ST-SC, UPC polishing, length 1 m



PSI-MOS-RS232/FO 850 T - FO converters

2708423

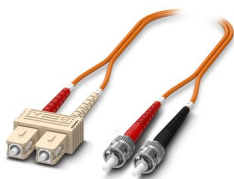
<https://www.phoenixcontact.com/in/products/2708423>

FOC-ST:PA-SC:PA-OM2:D01/2 - FO patch cable

1115573

<https://www.phoenixcontact.com/in/products/1115573>

Multi-mode OM2 duplex jumper, ST-SC, UPC polishing, length 2 m



FOC-ST:PA-ST:PA-OM2:D01/1 - FO patch cable

1115560

<https://www.phoenixcontact.com/in/products/1115560>

Multi-mode OM2 duplex jumper, ST-ST, UPC polishing, length 1 m



PSI-MOS-RS232/FO 850 T - FO converters

2708423

<https://www.phoenixcontact.com/in/products/2708423>

FOC-ST:PA-ST:PA-OM2:D01/2 - FO patch cable

1115557

<https://www.phoenixcontact.com/in/products/1115557>

Multi-mode OM2 duplex jumper, ST-ST, UPC polishing, length 2 m

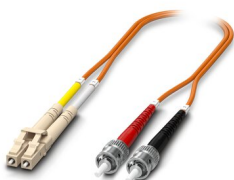


FOC-LC:PA-ST:PA-OM2:D01/1 - Fiber optic cable

1115588

<https://www.phoenixcontact.com/in/products/1115588>

Multi-mode OM2 duplex jumper, LC-ST, UPC polishing, length 1 m



PSI-MOS-RS232/FO 850 T - FO converters

2708423

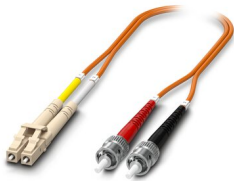
<https://www.phoenixcontact.com/in/products/2708423>

FOC-LC:PA-ST:PA-OM2:D01/2 - Fiber optic cable

1115587

<https://www.phoenixcontact.com/in/products/1115587>

Multi-mode OM2 duplex jumper, LC-ST, UPC polishing, length 2 m

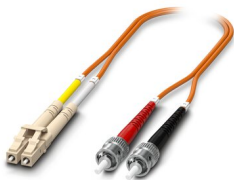


FOC-LC:PA-ST:PA-OM1:D01/1 - FO patch cable

1146499

<https://www.phoenixcontact.com/in/products/1146499>

Multi-mode OM1 duplex jumper, LC-ST, UPC polishing, length 1 m



PSI-MOS-RS232/FO 850 T - FO converters

2708423

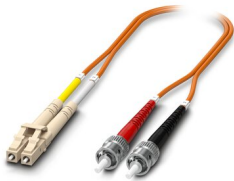
<https://www.phoenixcontact.com/in/products/2708423>

FOC-LC:PA-ST:PA-OM1:D01/2 - FO patch cable

1146508

<https://www.phoenixcontact.com/in/products/1146508>

Multi-mode OM1 duplex jumper, LC-ST, UPC polishing, length 2 m



FOC-ST:PA-ST:PA-OM1:D01/1 - FO patch cable

1146501

<https://www.phoenixcontact.com/in/products/1146501>

Multi-mode OM1 duplex jumper, ST-ST, UPC polishing, length 1 m



PSI-MOS-RS232/FO 850 T - FO converters

2708423

<https://www.phoenixcontact.com/in/products/2708423>

FOC-ST:PA-ST:PA-OM1:D01/2 - FO patch cable

1146509

<https://www.phoenixcontact.com/in/products/1146509>

Multi-mode OM1 duplex jumper, ST-ST, UPC polishing, length 2 m



FOC-HCS-RUGGED-1014/IP20/... - FO patch cable

2901555

<https://www.phoenixcontact.com/in/products/2901555>



Robust PCF installation cable for assembly (IP20 heads only) for installation in stationary systems and machines, aramid strain relief elements, with individual elements made from FRNC material, halogen-free, ozone and UV resistant, with a polyurethane (PUR) outer sheath

PSI-MOS-RS232/FO 850 T - FO converters

2708423

<https://www.phoenixcontact.com/in/products/2708423>

FOC-HCSO-1015/IP20/... - FO patch cable

2901557

<https://www.phoenixcontact.com/in/products/2901557>



Highly rugged PCF round cable (IP20 heads only) for assembly and for outdoor installation with integrated moisture barrier as well as rodent-proof scrim. Individual elements made from highly flexible FRNC material. The wire is ozone and UV resistant with a very rugged polyethylene outer sheath.

FOC-GDM-RUGGED-1016/IP20/... - FO patch cable

2901558

<https://www.phoenixcontact.com/in/products/2901558>



Robust GOF installation cable for assembly (IP20 heads only) for installation in stationary systems and machines, aramid strain-relief elements, with individual elements made from FRNC material, halogen-free, ozone and UV resistant, with a polyurethane (PUR) outer sheath

PSI-MOS-RS232/FO 850 T - FO converters



2708423

<https://www.phoenixcontact.com/in/products/2708423>

FOC-GDO-1017/IP20/... - FO patch cable

2901559

<https://www.phoenixcontact.com/in/products/2901559>



Highly rugged GOF round cable (IP20 heads only) for assembly and for outdoor installation with integrated moisture barrier as well as rodent-proof scrim. Individual elements made from highly flexible FRNC material. The wire is ozone and UV resistant with a very rugged polyethylene outer sheath.

Phoenix Contact 2023 © - all rights reserved

<https://www.phoenixcontact.com>

PHOENIX CONTACT (I) Pvt. Ltd.

A-58/2, Okhla Industrial Area, Phase - II, New Delhi-110 020

+91.1275.71420

info@phoenixcontact.co.in