

# PSI-MOS-RS422/FO 660 E - FO converters



2708342

<https://www.phoenixcontact.com/in/products/2708342>

Please be informed that the data shown in this PDF document is generated from our Online Catalog. Please find the complete data in the user documentation. Our General Terms of Use for Downloads are valid.



FO converter with integrated optical diagnostics, alarm contact, for RS-422/RS-485 4-wire/INTERBUS up to 2 Mbps, terminal device with one FO interface (FSMA), 660 nm, for polymer/PCF fiber cable

## Your advantages

- Supply voltage routed through via DIN rail connectors
- Connections can be plugged in via a COMBICON screw terminal block
- Redundant power supply possible by means of optional system power supply unit
- High-quality electrical isolation between all interfaces (INTERBUS // FO ports // supply // DIN rail connector)
- Approved for use in zone 2
- Floating switch contact for advance warning of critical FO paths
- Integrated optical diagnostics for continuous monitoring of FO paths
- Intrinsically safe fiber optic interface (Ex op is) for direct connection to devices in zone 1
- Automatic data rate detection for all data rates up to 2 Mbps
- Shipbuilding approval in accordance with DNV GL

## Commercial Data

Item number	2708342
Packing unit	1 pc
Minimum order quantity	1 pc
Sales Key	DNC
Product Key	DNC216
Catalog Page	Page 437 (C-6-2019)
GTIN	4017918974046
Weight per Piece (including packing)	245.1 g
Weight per Piece (excluding packing)	182.48 g
Customs tariff number	85176200
Country of origin	DE

## Technical Data

### Notes

#### Utilization restriction

EMC note	EMC: class A product, see manufacturer's declaration in the download area
----------	---

#### Utilization restriction

CCCex note	Use in potentially explosive areas is not permitted in China.
------------	---

### Product properties

Product type	Media converter
MTTF	1025 Years (SN 29500 standard, temperature 25°C, operating cycle 21%)
	442 Years (SN 29500 standard, temperature 40°C, operating cycle 34.25%)
	184 Years (SN 29500 standard, temperature 40°C, operating cycle 100%)
MTBF	493 Years (Telcordia standard, 25°C temperature, 21% operating cycle (5 days a week, 8 hours a day))
	92 Years (Telcordia standard, 40°C temperature, 34.25% operating cycle (5 days a week, 12 hours a day))

### Electrical properties

Electrical isolation	VCC // RS-422
Maximum power dissipation for nominal condition	2.4 W
Test voltage data interface/power supply	1.5 kV <sub>rms</sub> (50 Hz, 1 min.)

#### Supply

Supply voltage range	18 V DC ... 30 V DC
Nominal supply voltage	24 V DC (in acc. with UL)
Typical current consumption	100 mA (24 V DC)
Max. current consumption	130 mA
	≤ 2 A (For operation in a joining station, via the DIN rail connector)
Connection method	COMBICON plug-in screw terminal block

### Output data

#### Switching

Output name	Relay output
Output description	Alarm output
Number of outputs	1
Maximum switching voltage	60 V DC
	42 V AC
Limiting continuous current	0.46 A

## Connection data

### Supply

Connection method	COMBICON plug-in screw terminal block
Tightening torque	0.56 Nm ... 0.79 Nm

## Interfaces

Bit distortion, input	± 35 % (permitted)
Bit distortion, output	< 6.25 %
Signal	INTERBUS
Transmission channels	2 (1/1) RD, TD, full duplex

### Data: optical FO

No. of channels	1
Transmit capacity, minimum	-4.6 dBm (980/1000 μm) -16.6 dBm (200/230 μm)
Transmission length incl. 3 dB system reserve	100 m (With F-P 980/1000 230 dB/km with quick mounting connector) 800 m (With F-K 200/230 10 dB/km with quick mounting connector)
Transmission protocol	Transparent to protocol for RS-422 interface
Connection method	F-SMA
Wavelength	660 nm
Minimum receiver sensitivity	-31.2 dBm
Transmission medium	Polymer fiber PCF fiber

### Data: RS-422 interface in acc. with ITU-T V.11, EIA/TIA-422, DIN 66348-1

Serial transmission speed	≤ 2 Mbps
Connection method	Pluggable screw connection
Transmission length	≤ 1000 m (depending on the data rate, with shielded, twisted data cable)
Termination resistor	220 Ω 100 Ω 220 Ω
Conductor cross section flexible max.	2.5 mm <sup>2</sup>
Conductor cross section flexible min.	0.2 mm <sup>2</sup>
Conductor cross section, rigid max.	2.5 mm <sup>2</sup>
Conductor cross section, rigid min.	0.2 mm <sup>2</sup>
Max. AWG conductor cross section, flexible	14
Min. AWG conductor cross section, flexible	24
Single-wire/terminal point, rigid AWG max.	14
Single-wire/terminal point, rigid AWG min.	24
Transmission medium	Copper
File format/coding	UART (11 Bit, NRZ)

## Dimensions

Width	35 mm
Height	99 mm
Depth	103 mm

## Material specifications

Material Housing	PA 6.6-FR
------------------	-----------

## Cable/line

### FO cable

Fiber types	980/1000 µm
	200/230 µm
	Polymer fiber
	PCF fiber

## Environmental and real-life conditions

### Ambient conditions

Degree of protection	IP20
Ambient temperature (operation)	-20 °C ... 60 °C
Ambient temperature (storage/transport)	-40 °C ... 85 °C
Altitude	≤ 5000 m (For restrictions, see the manufacturer's declaration for altitude operation)
Permissible humidity (operation)	30 % ... 95 % (non-condensing)

## Approvals

### CE

Certificate	CE-compliant
-------------	--------------

### EAC

Identification	EAC
----------------	-----

### ATEX

Identification	<input type="checkbox"/> II 3 G Ex nA nC IIC T4 Gc X
Note	Please follow the special installation instructions in the documentation!

### ATEX, FO interface

Identification	<input type="checkbox"/> II (2) G [Ex op is Gb] IIC
	<input type="checkbox"/> II (2) D [Ex op is Db] IIIC
Certificate	PTB 06 ATEX 2042 U
Note	Please follow the special installation instructions in the documentation!

### UL, USA/Canada

	Class I, Zone 2, AEx nc IIC T5
--	--------------------------------

# PSI-MOS-RS422/FO 660 E - FO converters



2708342

<https://www.phoenixcontact.com/in/products/2708342>

Identification	Class I, Zone 2, Ex nC nL IIC T5 X
	Class I, Div. 2, Groups A, B, C, D

## Corrosive gas test

Identification	ISA-S71.04-1985 G3 Harsh Group A
----------------	----------------------------------

## Shipbuilding

Identification	DNV GL
----------------	--------

## DNV GL data

Temperature	B
Humidity	A
Vibration	A
EMC	B
Enclosure	Required protection according to the Rules shall be provided upon installation on board

## EMC data

Noise immunity	EN 61000-6-2:2005
Electromagnetic compatibility	Conformance with EMC Directive 2014/30/EU
Noise emission	EN 55011

## Electrostatic discharge

Standards/regulations	EN 61000-4-2
-----------------------	--------------

## Electrostatic discharge

Contact discharge	± 6 kV
Discharge in air	± 8 kV
Comments	Criterion B

## Electromagnetic HF field

Standards/regulations	EN 61000-4-3
-----------------------	--------------

## Electromagnetic HF field

Field intensity	10 V/m
Comments	Criterion A

## Fast transients (burst)

Standards/regulations	EN 61000-4-4
-----------------------	--------------

## Fast transients (burst)

Input	± 2 kV
Signal	± 2 kV
Comments	Criterion B

## Surge current load (surge)

Standards/regulations	EN 61000-4-5
-----------------------	--------------

## Surge current load (surge)

# PSI-MOS-RS422/FO 660 E - FO converters



2708342

<https://www.phoenixcontact.com/in/products/2708342>

Input	± 0.5 kV
Signal	± 1 kV
Comments	Criterion B

## Conducted interference

Standards/regulations	EN 61000-4-6
-----------------------	--------------

## Conducted interference

Comments	Criterion A
Voltage	10 V

## Emitted interference

Standards/regulations	EN 55011
Comments	Class A, industrial applications

## Criteria

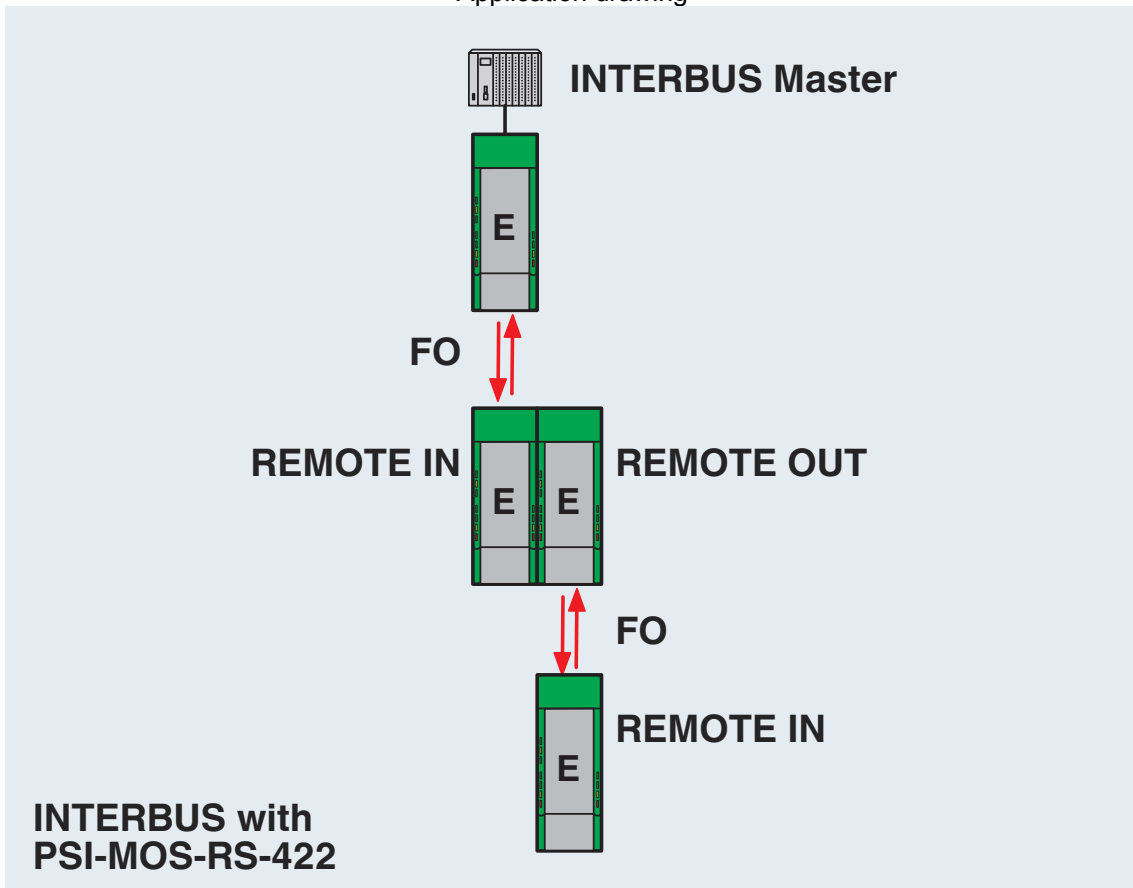
Criterion A	Normal operating behavior within the specified limits.
Criterion B	Temporary impairment to operational behavior that is corrected by the device itself.

## Mounting

Mounting type	DIN rail mounting
---------------	-------------------

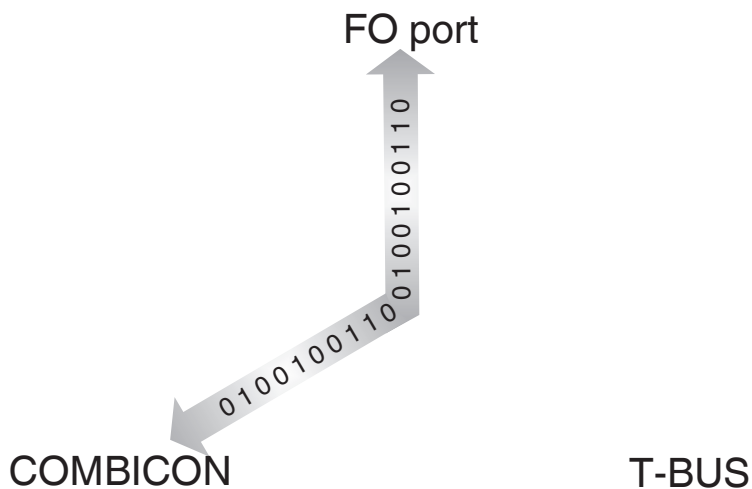
Drawings

Application drawing



INTERBUS with PSI-MOS-RS422...

Schematic diagram

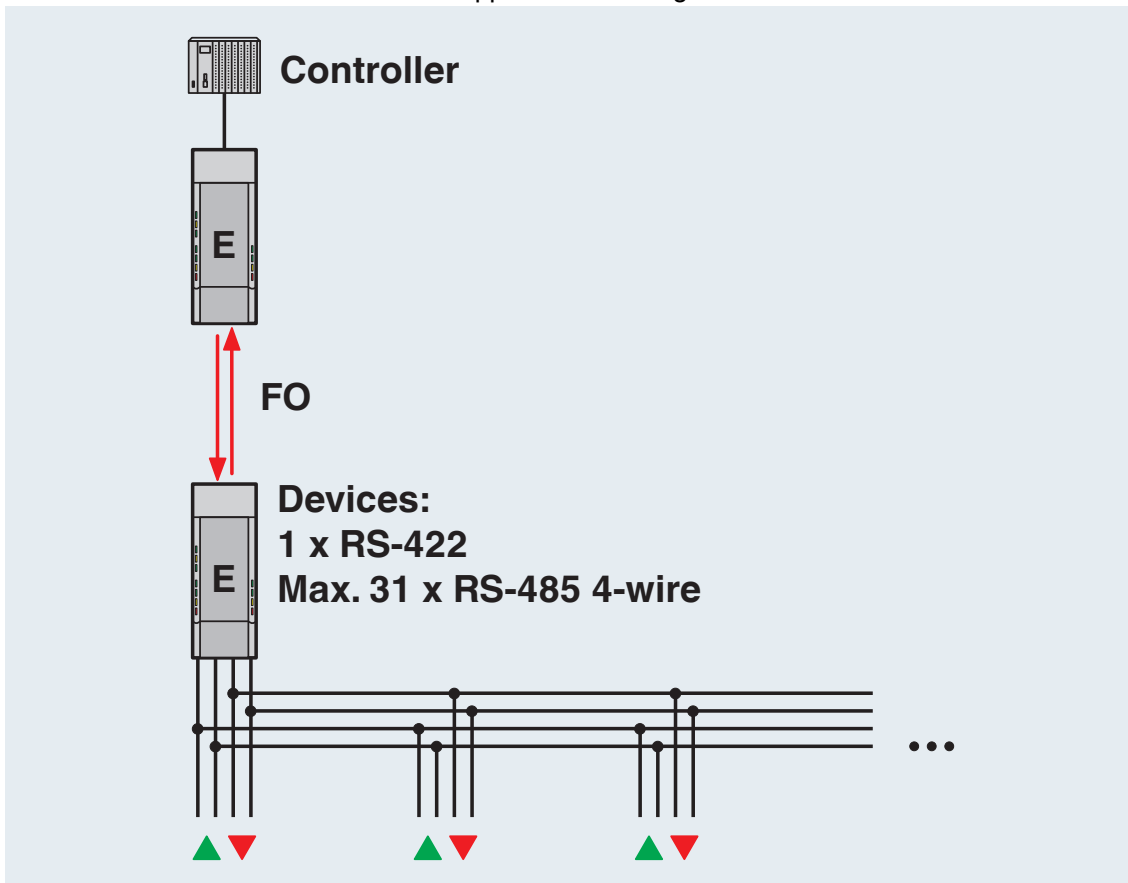


Port assignment for point-to-point connections

2708342

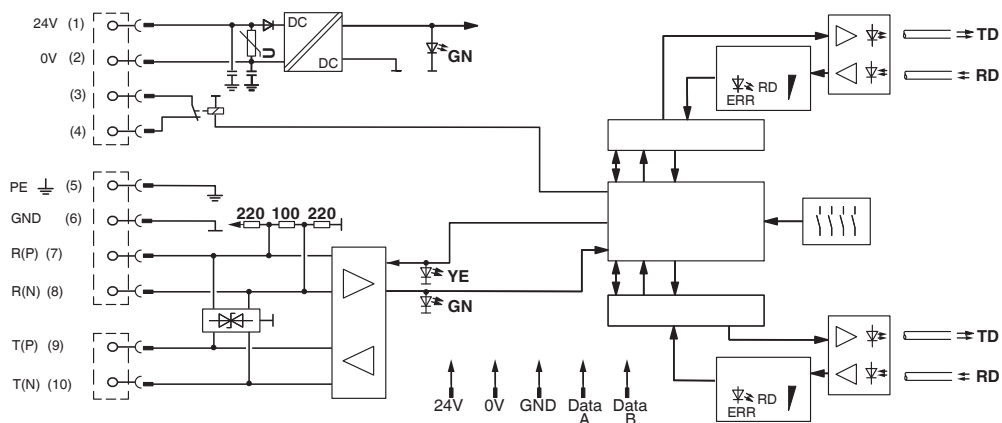
<https://www.phoenixcontact.com/in/products/2708342>

Application drawing



Point-to-point connection

Block diagram



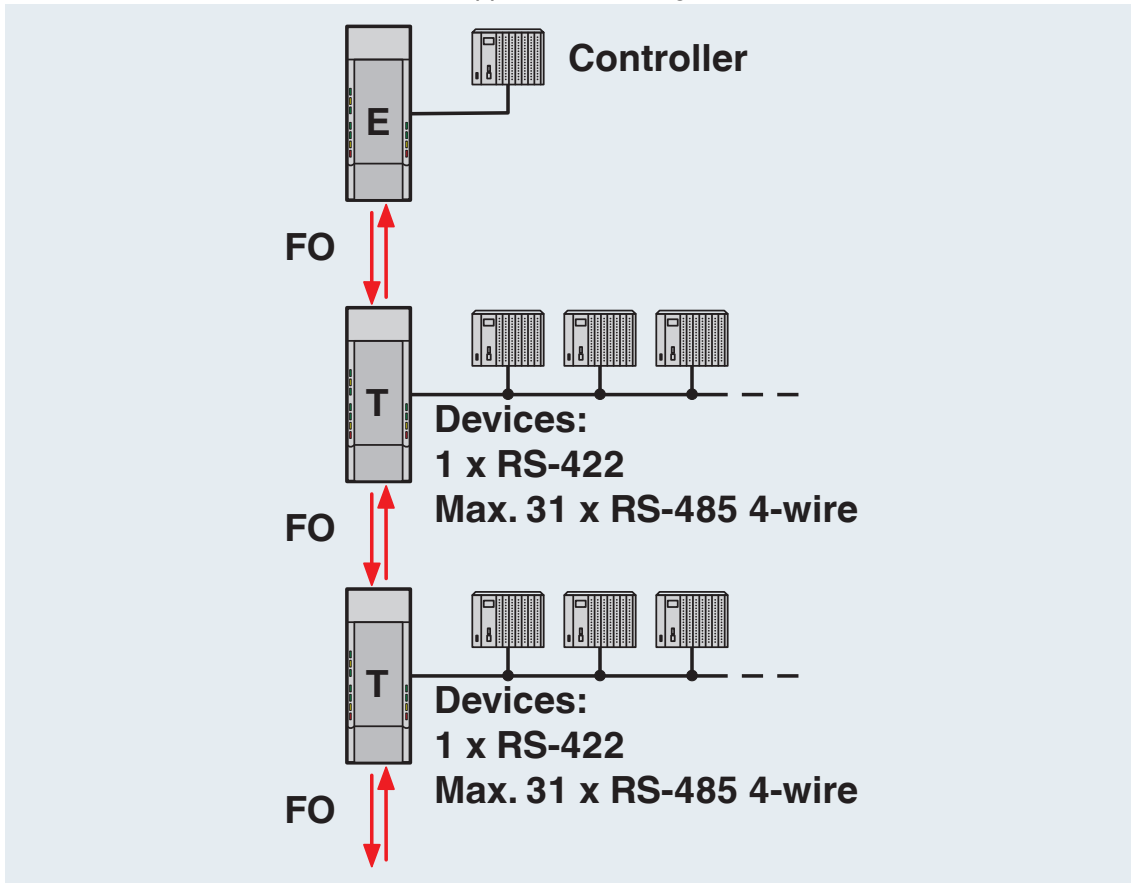
\*) only with PSI-MOS.../FO...T



2708342

<https://www.phoenixcontact.com/in/products/2708342>

Application drawing

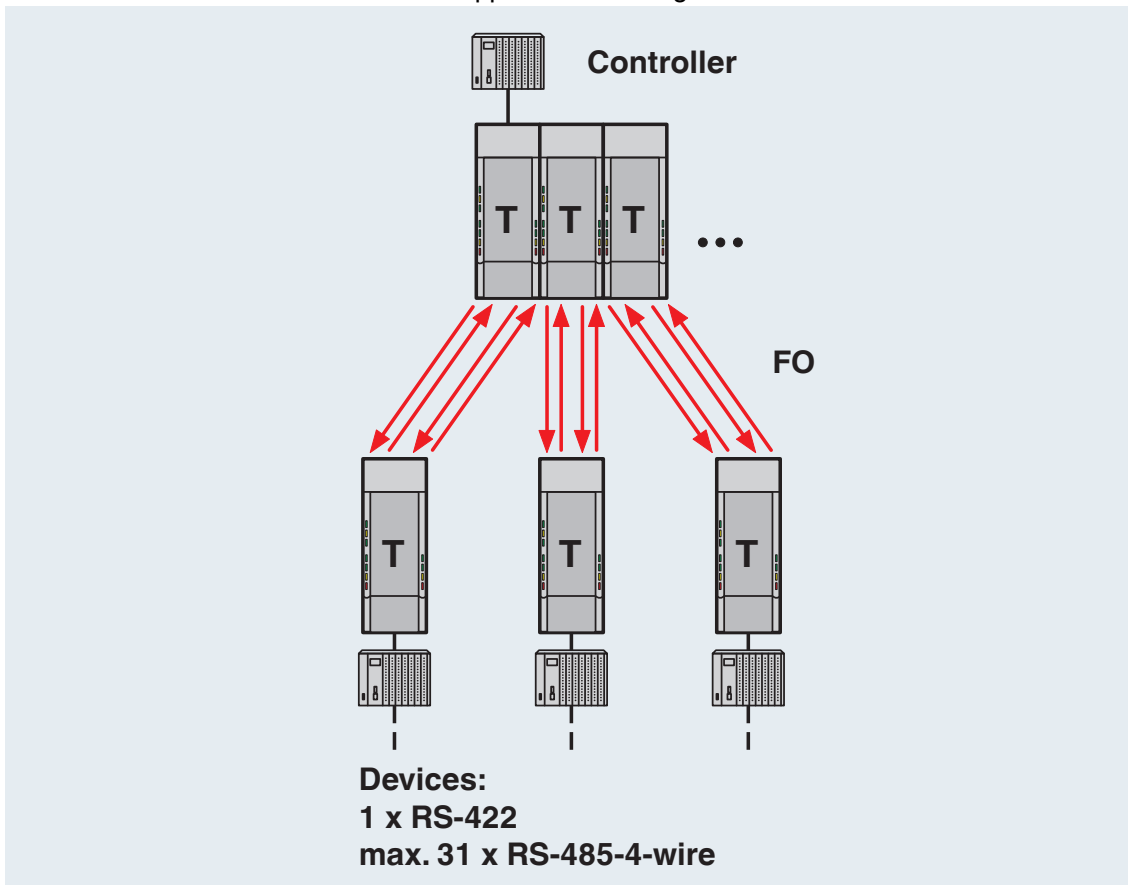


Controller-device line structure

2708342

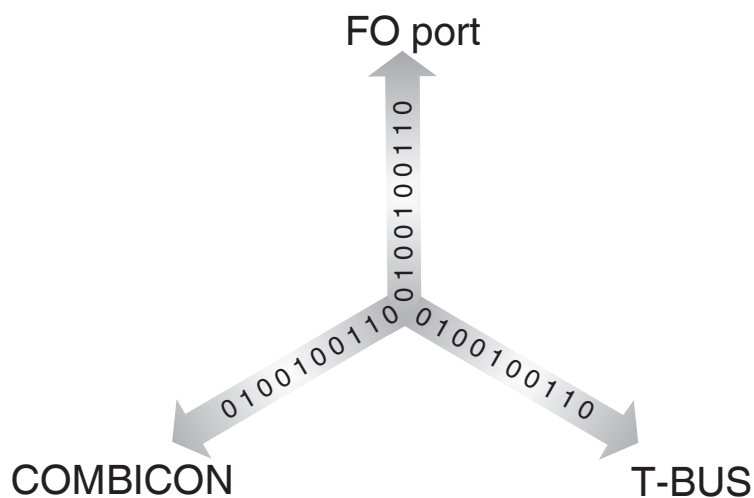
<https://www.phoenixcontact.com/in/products/2708342>

Application drawing



Redundant structure

Schematic diagram

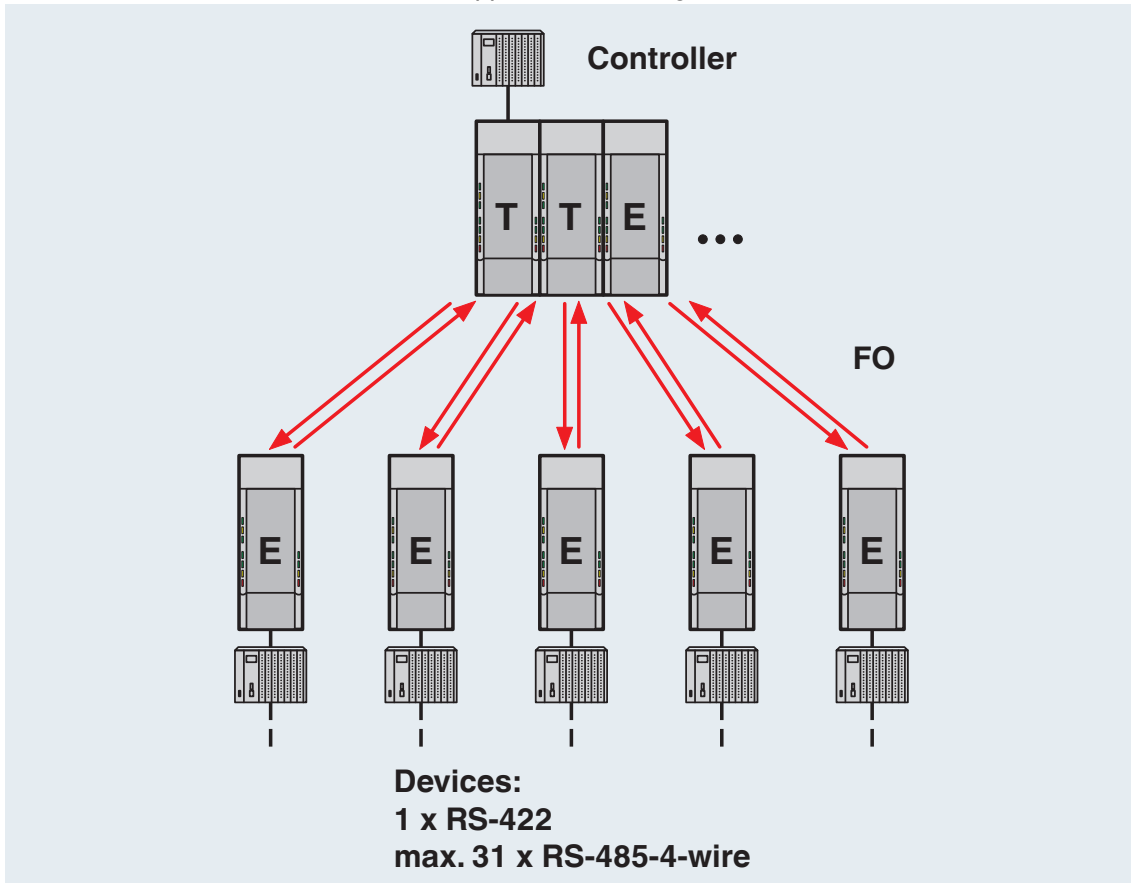


Port assignment in star structures

2708342

<https://www.phoenixcontact.com/in/products/2708342>

Application drawing



Star structure

2708342

<https://www.phoenixcontact.com/in/products/2708342>

## Approvals



**cUL Recognized**  
Approval ID: FILE E 238705



**UL Recognized**  
Approval ID: FILE E 238705



**EAC**  
Approval ID: TR TS\_D\_01871-19



**DNV GL**  
Approval ID: TAA00001KR



**ATEX**  
Approval ID: PTB 06 ATEX 2042U



**ATEX**  
Approval ID: PxCIF06ATEX2708261X



**cUL Listed**  
Approval ID: FILE E 199827



**UL Listed**  
Approval ID: FILE E 199827

# PSI-MOS-RS422/FO 660 E - FO converters



2708342

<https://www.phoenixcontact.com/in/products/2708342>

## Classifications

### ECLASS

ECLASS-11.0	19170411
ECLASS-12.0	19170411
ECLASS-13.0	19170411

### ETIM

ETIM 8.0	EC001467
----------	----------

### UNSPSC

UNSPSC 21.0	43201500
-------------	----------

# PSI-MOS-RS422/FO 660 E - FO converters



2708342

<https://www.phoenixcontact.com/in/products/2708342>

## Environmental Product Compliance

REACH SVHC	Lead 7439-92-1
China RoHS	Environmentally Friendly Use Period = 50 years
	For information on hazardous substances, refer to the manufacturer's declaration available under "Downloads"

# PSI-MOS-RS422/FO 660 E - FO converters

2708342

<https://www.phoenixcontact.com/in/products/2708342>

## Accessories

### PSM-SET-FSMA/4-KT - FO connectors

2799720

<https://www.phoenixcontact.com/in/products/2799720>

FO connectors, degree of protection: IP20, number of positions: 2, MM, material: Metal, cable outlet: straight



---

### PSM-SET-FSMA/4-HCS - FO connectors

2799487

<https://www.phoenixcontact.com/in/products/2799487>

FO connectors, degree of protection: IP20, number of positions: 2, MM, material: Metal, connection method: Cable connection, cable outlet: straight



# PSI-MOS-RS422/FO 660 E - FO converters

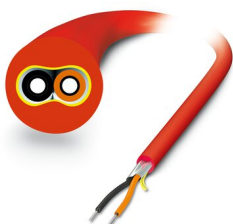
2708342

<https://www.phoenixcontact.com/in/products/2708342>

## PSM-LWL-KDHEAVY-980/1000 - FO cable

2744319

<https://www.phoenixcontact.com/in/products/2744319>



Polymer fiber cable, duplex 980  $\mu\text{m}$ /1000  $\mu\text{m}$ , medium-weight version for installation in stationary systems and machines, by the meter without male connector

---

## PSM-LWL-RUGGED-980/1000 - FO cable

2744322

<https://www.phoenixcontact.com/in/products/2744322>



Polymer fiber cable, duplex 980 $\mu\text{m}$ /1000 $\mu\text{m}$ , heavy-weight version for installation in stationary systems and machines, by the meter without male connector



# PSI-MOS-RS422/FO 660 E - FO converters

2708342

<https://www.phoenixcontact.com/in/products/2708342>

## PSM-LWL-RUGGED-FLEX-980/1000 - FO cable

2744335

<https://www.phoenixcontact.com/in/products/2744335>



Polymer fiber cable, duplex 980/1000  $\mu\text{m}$ , heavy-weight, highly flexible version for flexible conduit applications, by the meter, without connector

---

## PSM-LWL-HCS-RUGGED-200/230 - FO cable

2799885

<https://www.phoenixcontact.com/in/products/2799885>



PCF cable, duplex 200  $\mu\text{m}$ /230  $\mu\text{m}$ , by the meter without male connector, for installation in stationary systems and machines

# PSI-MOS-RS422/FO 660 E - FO converters



2708342

<https://www.phoenixcontact.com/in/products/2708342>

## PSM-LWL-HCSO-200/230 - FO cable

2799445

<https://www.phoenixcontact.com/in/products/2799445>



PCF cable, duplex 200/230  $\mu\text{m}$ , by the meter, without connector, for outdoor installation

---

## QUINT4-SYS-PS/1AC/24DC/2.5/SC - Power supply unit

2904614

<https://www.phoenixcontact.com/in/products/2904614>



Primary-switched power supply, QUINT POWER, screw connection, DIN rail mounting, supply of devices possible via the TBUS DIN rail connector, protective coating, input: single-phase, output: 24 V DC/2.5 A

# PSI-MOS-RS422/FO 660 E - FO converters

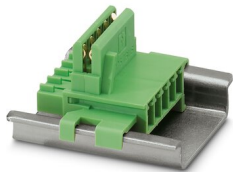
2708342

<https://www.phoenixcontact.com/in/products/2708342>

## ME 17,5 TBUS 1,5/ 5-ST-3,81 GN - DIN rail bus connectors

2709561

<https://www.phoenixcontact.com/in/products/2709561>



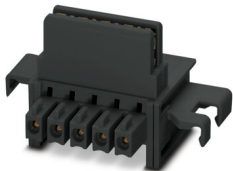
DIN rail connector for DIN rail mounting. Universal for TBUS housing. Gold-plated contacts, 5-pos.

---

## ME 17,5 TBUS 1,5/PP000-3,81 BK - DIN rail bus connectors

2890014

<https://www.phoenixcontact.com/in/products/2890014>



DIN rail connector for DIN rail mounting. Universal for TBUS housing. Gold-plated contacts, 2-pos.

# PSI-MOS-RS422/FO 660 E - FO converters



2708342

<https://www.phoenixcontact.com/in/products/2708342>

## PSM-POF-KONFTOOL - Assembly tool

2744131

<https://www.phoenixcontact.com/in/products/2744131>



Polymer fiber DIY case, consisting of: Stripping knife, stripping pliers, polishing wheels for F-SMA and SC-RJ quick mounting connectors, polishing pad and emery paper

---

## PSM-HCS-KONFTOOL - Assembly tool

2799526

<https://www.phoenixcontact.com/in/products/2799526>



PCF assembly kit for F-SMA quick mounting connectors, including stripping blade, stripping pliers, aramide yarn scissors, fiber stripper, microscope, fiber cleaving tool for standard HCS fibers, four F-SMA connectors for standard PCF fibers, and documentation

# PSI-MOS-RS422/FO 660 E - FO converters

2708342

<https://www.phoenixcontact.com/in/products/2708342>

## PSM-SET-FSMA-POLISH - Assembly tool

2799348

<https://www.phoenixcontact.com/in/products/2799348>

Polymer fiber polishing set, for F-SMA quick mounting connectors



---

## PSM-FO-POWERMETER - Measuring instrument

2799539

<https://www.phoenixcontact.com/in/products/2799539>

Fiber optic measuring case, consisting of an optical power meter, F-SMA, B-FOC adapters, reference fibers and operating instructions



# PSI-MOS-RS422/FO 660 E - FO converters

2708342

<https://www.phoenixcontact.com/in/products/2708342>

## PSM-SET-FSMA-LINK/2 - Fiber optic coupling

2799416

<https://www.phoenixcontact.com/in/products/2799416>

Coupling; set consisting of 2 couplings for connecting F-SMA plugs



---

## SUBCON-PLUS 9/F - D-SUB bus connector

2744241

<https://www.phoenixcontact.com/in/products/2744241>

D-SUB connector, 9-pos. female connector, two 35° cable entries, universal type for all systems, pin assignment: 1, 2, 3, 4, 5, 6, 7, 8, 9 to one screw connection terminal block



# PSI-MOS-RS422/FO 660 E - FO converters

2708342

<https://www.phoenixcontact.com/in/products/2708342>

## SUBCON-PLUS 9/M - D-SUB bus connector

2744018

<https://www.phoenixcontact.com/in/products/2744018>



D-SUB connector, 9-pos., male connector, two 35° cable entries, universal type for all systems, pin assignment: 1, 2, 3, 4, 5, 6, 7, 8, 9 to one screw connection terminal block

---

## SZS 0,4X2,5 VDE - Screwdriver

1205037

<https://www.phoenixcontact.com/in/products/1205037>



Screwdriver, slot-headed, VDE insulated, size: 0.4 x 2.5 x 80 mm, 2-component grip, with non-slip grip

# PSI-MOS-RS422/FO 660 E - FO converters

2708342

<https://www.phoenixcontact.com/in/products/2708342>

## PSM-ME-RS232/RS485-P - Interface converter

2744416

<https://www.phoenixcontact.com/in/products/2744416>



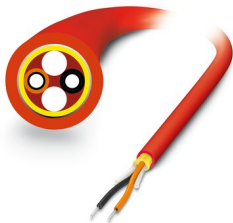
Interface converter, for converting RS-232 (V.24) to RS-422 (V.11) and RS-485, with electrical isolation, 2 channels, rail-mountable

---

## FOC-RUGGED-1012/IP20/... - FO patch cable

2901548

<https://www.phoenixcontact.com/in/products/2901548>



Robust POF installation cable for assembly (IP20 heads only) for installation in stationary systems and machines with individual elements made of polyamide (PA), halogen-free, ozone and UV resistant, with reinforced polyurethane (PUR) outer sheath



# PSI-MOS-RS422/FO 660 E - FO converters

2708342

<https://www.phoenixcontact.com/in/products/2708342>

## FOC-RUGGED-FLEX-1013/IP20/... - FO patch cable

2901549

<https://www.phoenixcontact.com/in/products/2901549>



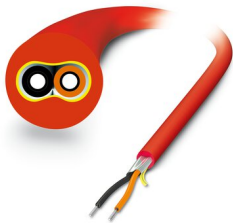
Highly flexible POF round cable (IP20 heads only) for use in drag chains. Individual elements made from extremely wear-resistant polyamide (PA). The cable is halogen-free, ozone and UV resistant, and has a rugged polyurethane (PUR) outer sheath.

---

## FOC-KDHEAVY-1011/IP20/... - FO patch cable

2901553

<https://www.phoenixcontact.com/in/products/2901553>



POF installation cable for assembly (IP20 heads only) for installation in stationary systems and machines with individual elements made of polyamide (PA), halogen-free, ozone and UV resistant, with a polyurethane (PUR) outer sheath

# PSI-MOS-RS422/FO 660 E - FO converters



2708342

<https://www.phoenixcontact.com/in/products/2708342>

## FOC-HCS-RUGGED-1014/IP20/... - FO patch cable

2901555

<https://www.phoenixcontact.com/in/products/2901555>



Robust PCF installation cable for assembly (IP20 heads only) for installation in stationary systems and machines, aramid strain relief elements, with individual elements made from FRNC material, halogen-free, ozone and UV resistant, with a polyurethane (PUR) outer sheath

---

## FOC-HCSO-1015/IP20/... - FO patch cable

2901557

<https://www.phoenixcontact.com/in/products/2901557>



Highly rugged PCF round cable (IP20 heads only) for assembly and for outdoor installation with integrated moisture barrier as well as rodent-proof scrim. Individual elements made from highly flexible FRNC material. The wire is ozone and UV resistant with a very rugged polyethylene outer sheath.

---

Phoenix Contact 2023 © - all rights reserved  
<https://www.phoenixcontact.com>

PHOENIX CONTACT (I) Pvt. Ltd.  
A-58/2, Okhla Industrial Area, Phase - II, New Delhi-110 020

+91.1275.71420  
[info@phoenixcontact.co.in](mailto:info@phoenixcontact.co.in)