

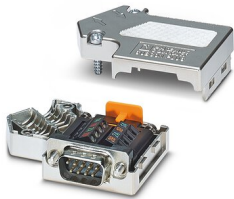
# SUBCON-PLUS-PROFIB/SC2 - D-SUB bus connector



2708232

<https://www.phoenixcontact.com/in/products/2708232>

Please be informed that the data shown in this PDF document is generated from our Online Catalog. Please find the complete data in the user documentation. Our General Terms of Use for Downloads are valid.



D-SUB connector, 9-pos., male connector, 35° cable entry, bus system: PROFIBUS DP up to 12 Mbps, termination resistor can be switched on via slide switch, pin assignment: 3, 5, 6, 8; screw connection terminal blocks

## Product Description

The D-SUB series, SUBCON-PLUS-PROFIB/... was specially designed for use in PROFIBUS systems up to 12 Mbps. Under field conditions, it allows convenient and fast connection of the incoming and outgoing bus cable. The terminating resistor is already integrated in all versions. It can be connected externally by means of a slide switch. At the same time, the outgoing bus segment is switched off. This makes it easy to start up segment by segment while incorrect terminations are avoided. A special feature of the 35° angled connector is that the internal connection unit can be turned round. Whether the cable is to be inserted from the right or left can thus be decided on-site.

## Your advantages

- Termination resistor can be connected
- Screw connection
- Cable entry under 35°
- Change to the D-SUB orientation through a reversible connection block
- Metal housing for high level of immunity to interference at maximum transmission speed
- Vibration and shock resistance in accordance with EN 50155
- Suitable for all common Fast Connect PROFIBUS cables and RS-485 bus lines

## Commercial Data

Item number	2708232
Packing unit	1 pc
Minimum order quantity	1 pc
Sales Key	DNC
Product Key	DNC531
Catalog Page	Page 446 (C-6-2019)
GTIN	4017918960483
Weight per Piece (including packing)	50.6 g
Weight per Piece (excluding packing)	49.7 g
Customs tariff number	85366990
Country of origin	DE

## Technical Data

### Notes

#### Utilization restriction

CCCex note	Use in potentially explosive areas is not permitted in China.
------------	---

### Product properties

Product type	Data plug
MTTF	6706 Years (SN 29500 standard, temperature 25°C, operating cycle 21%)
	1817 Years (SN 29500 standard, temperature 40°C, operating cycle 34.25%)
	155 Years (SN 29500 standard, temperature 40°C, operating cycle 100%)
Pin assignment	3, 5, 6, 8

### Electrical properties

Maximum power dissipation for nominal condition	0.025 W
Nominal voltage $U_N$	5 V
Nominal current $I_N$	100 mA
Transmission medium	Copper

### Connection data

#### D-SUB connection

Connection method	D-SUB connector
-------------------	-----------------

#### PCB connection

Connection method	Screw connection
Stripping length	5 mm
Conductor cross section, rigid min.	0.14 mm <sup>2</sup>
Conductor cross section, rigid max.	1.5 mm <sup>2</sup>
Conductor cross section flexible min.	0.14 mm <sup>2</sup>
Conductor cross section flexible max.	1 mm <sup>2</sup>
Single-wire/terminal point, rigid AWG min.	26
Single-wire/terminal point, rigid AWG max.	16
Min. AWG conductor cross section, flexible	26
Max. AWG conductor cross section, flexible	18

### Interfaces

Bus system	PROFIBUS DP
Signal	PROFIBUS

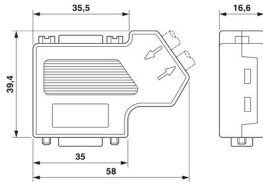
### Dimensions

# SUBCON-PLUS-PROFIB/SC2 - D-SUB bus connector



2708232

<https://www.phoenixcontact.com/in/products/2708232>

Dimensional drawing	
Width	16.6 mm
Height	39.4 mm
Length	58 mm

## External dimensions

External diameter min.	7.6 mm
External diameter max.	8.4 mm

## Material specifications

Material Housing	ABS, metal-plated
------------------	-------------------

## Cable/line

External cable diameter	7.6 mm ... 8.4 mm (Incoming bus line)
-------------------------	---------------------------------------

## Mechanical properties

### Mechanical data

Insertion/withdrawal cycles	> 200
-----------------------------	-------

## Environmental and real-life conditions

### Ambient conditions

Degree of protection	IP40
Ambient temperature (operation)	-20 °C ... 75 °C
Ambient temperature (storage/transport)	-25 °C ... 80 °C
Altitude	≤ 5000 m (For restrictions, see the manufacturer's declaration for altitude operation)
Permissible humidity (operation)	10 % ... 95 % (non-condensing)
Permissible humidity (storage/transport)	5 % ... 95 % (non-condensing)

## Approvals

### EAC

Identification	EAC
----------------	-----

### ATEX

Identification	<input type="checkbox"/> II 3 G Ex nA IIC T4 Gc X
Note	Please follow the special installation instructions in the documentation!

# SUBCON-PLUS-PROFIB/SC2 - D-SUB bus connector



2708232

<https://www.phoenixcontact.com/in/products/2708232>

## Corrosive gas test

Identification

ISA-S71.04-1985 G3 Harsh Group A

## Standards and regulations

Free from substances that could impair the application of coating

in accordance with VW-AUDI-Seat central standard P-VW 3.10.7  
57 65 0

# SUBCON-PLUS-PROFIB/SC2 - D-SUB bus connector

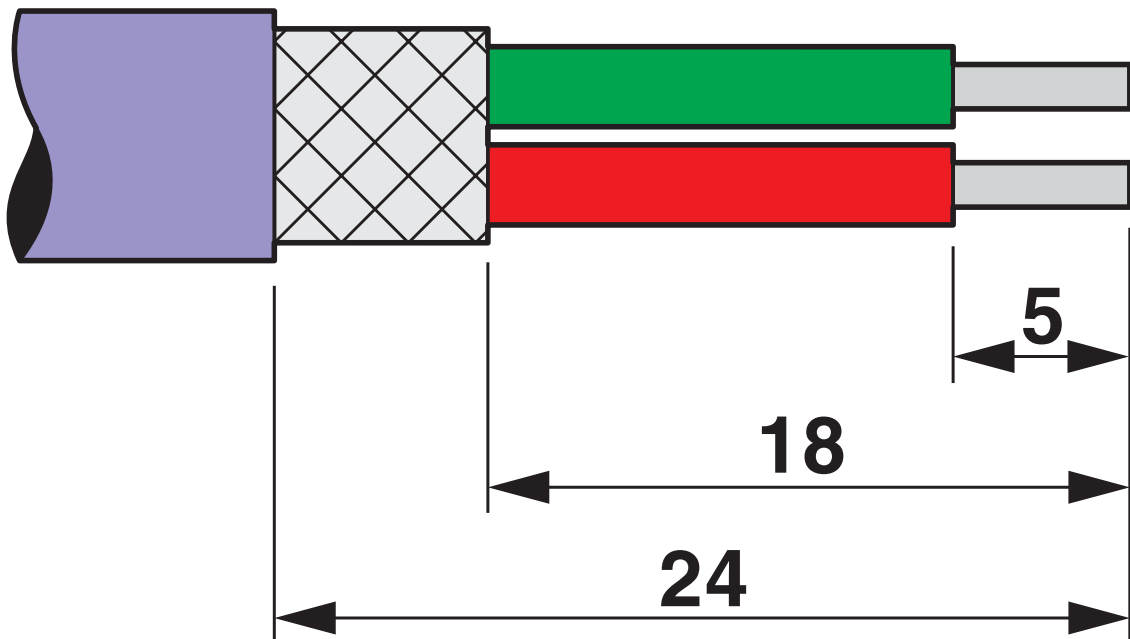


2708232

<https://www.phoenixcontact.com/in/products/2708232>

## Drawings

Schematic diagram



## Stripping specifications

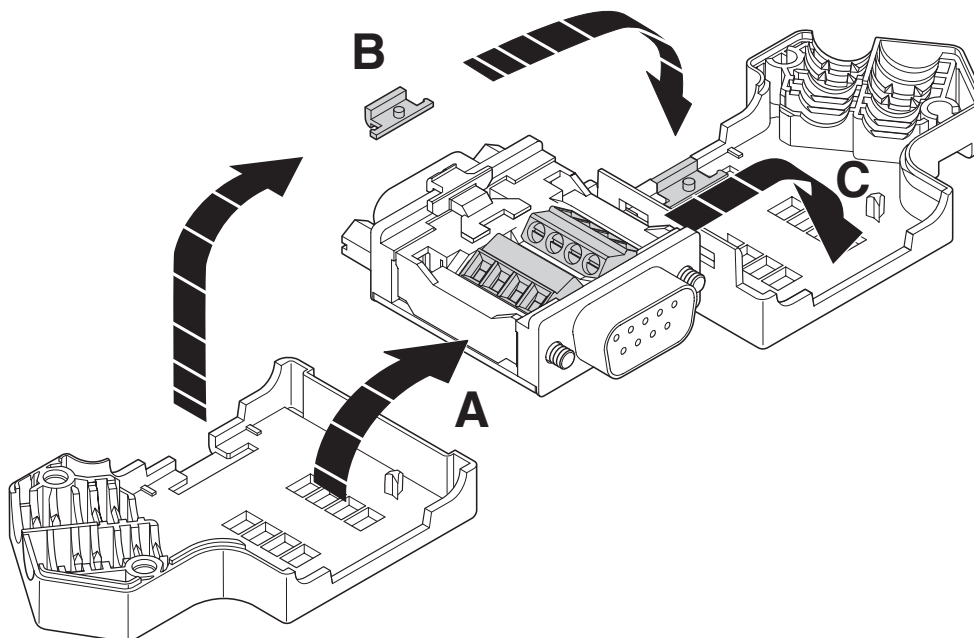
# SUBCON-PLUS-PROFIB/SC2 - D-SUB bus connector



2708232

<https://www.phoenixcontact.com/in/products/2708232>

Schematic diagram



Right-hand side cable entry

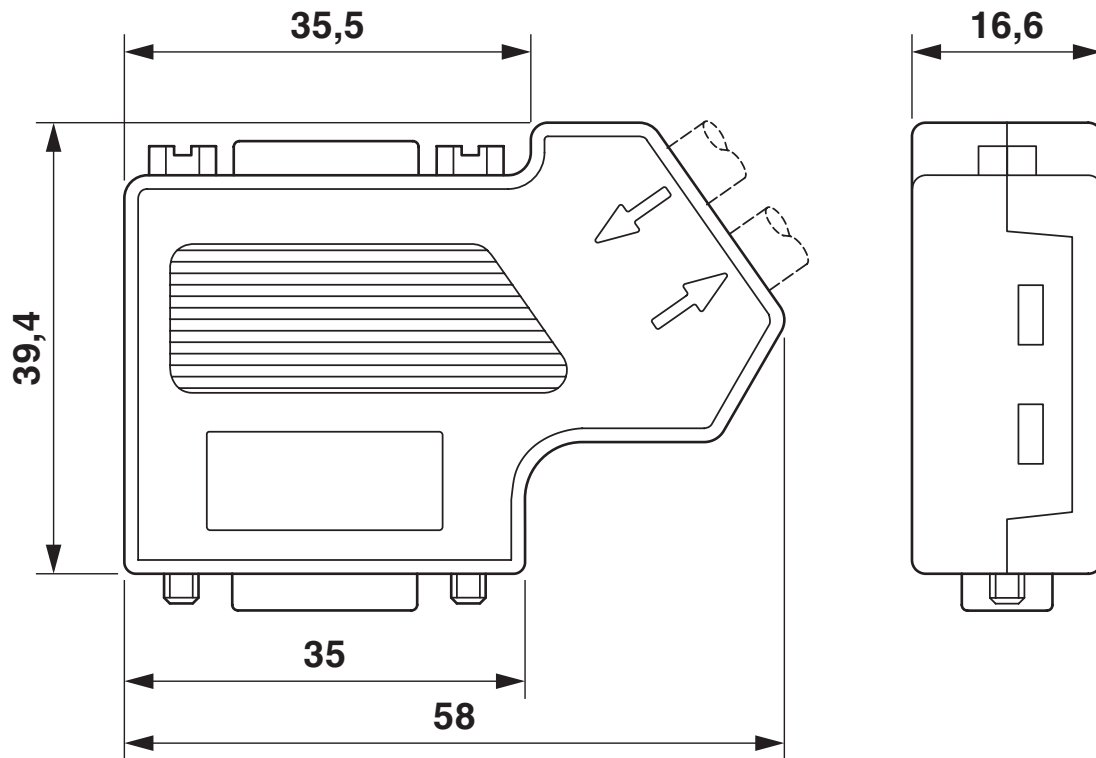
# SUBCON-PLUS-PROFIB/SC2 - D-SUB bus connector



2708232

<https://www.phoenixcontact.com/in/products/2708232>

Dimensional drawing



Dimensional drawing

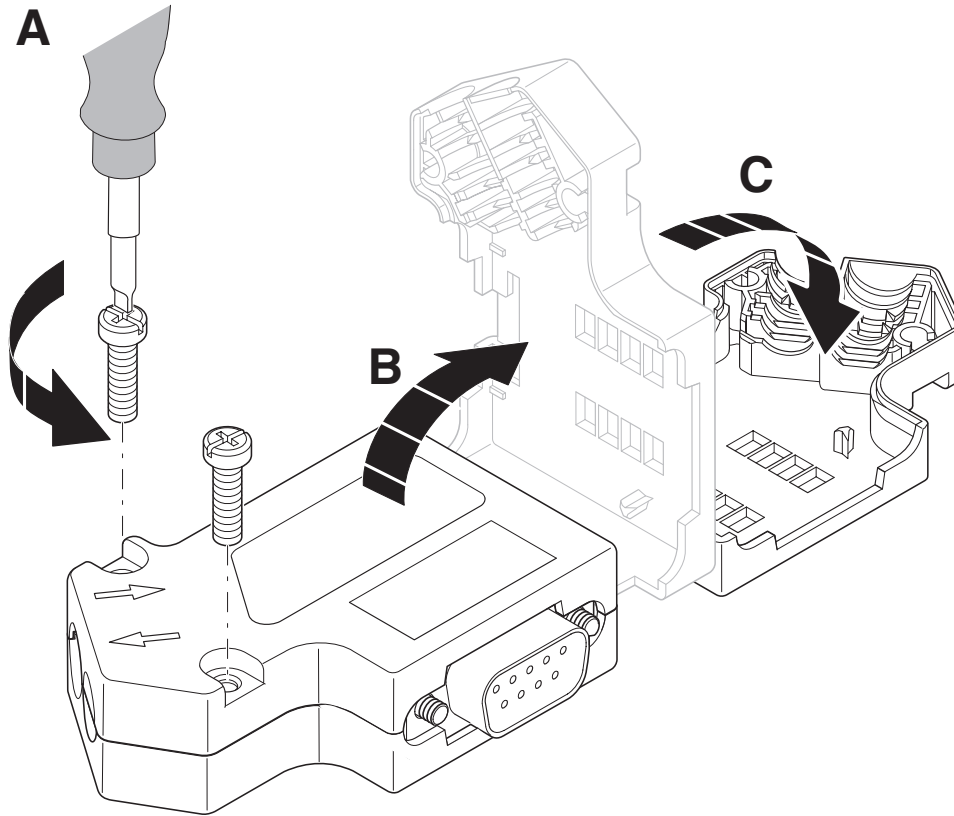
# SUBCON-PLUS-PROFIB/SC2 - D-SUB bus connector



2708232

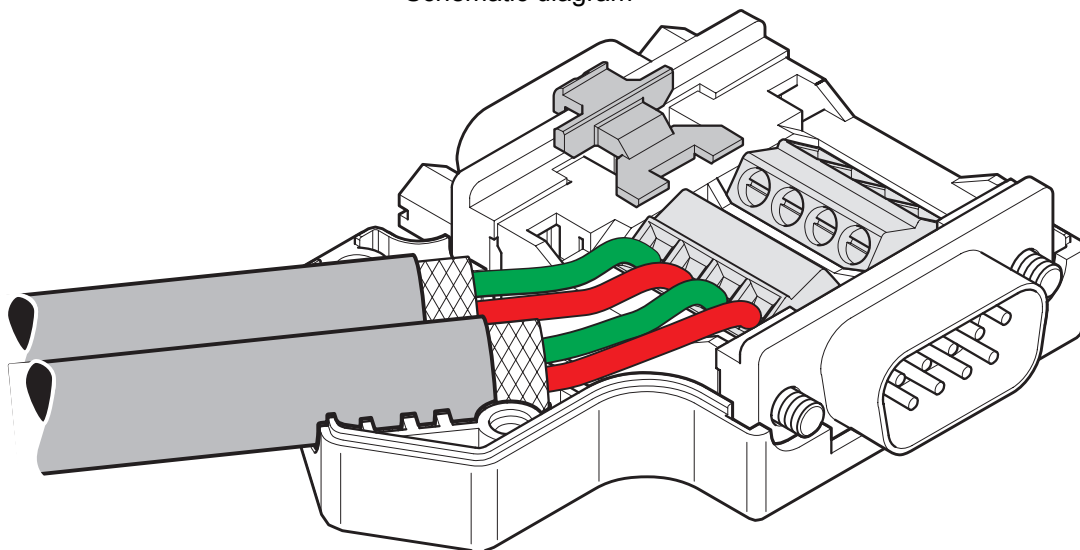
<https://www.phoenixcontact.com/in/products/2708232>

Schematic diagram



Right-hand side cable entry

Schematic diagram



Left-hand side cable entry



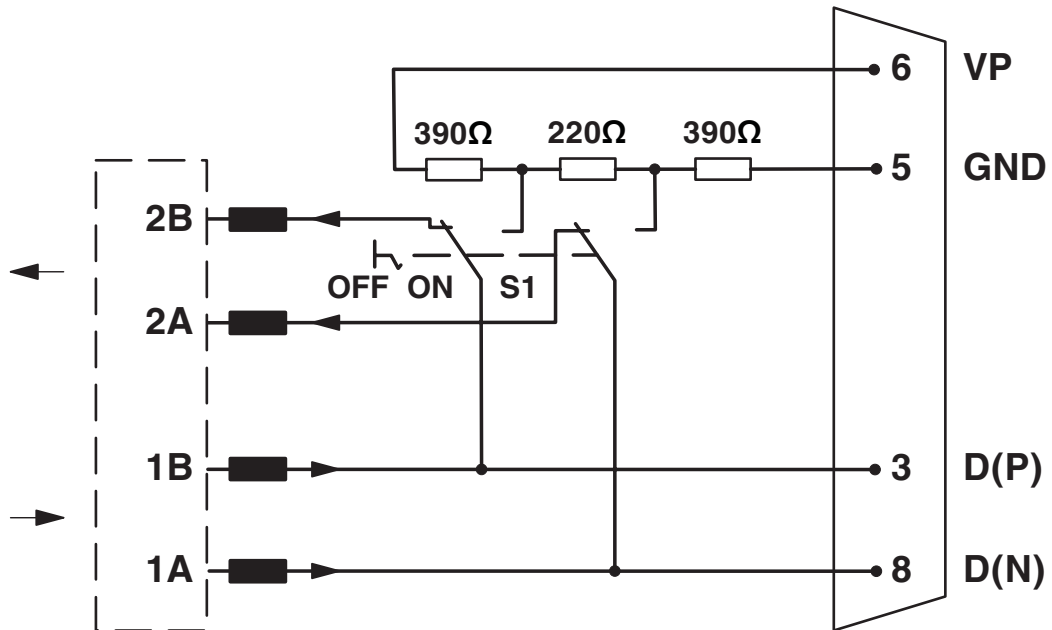
# SUBCON-PLUS-PROFIB/SC2 - D-SUB bus connector



2708232

<https://www.phoenixcontact.com/in/products/2708232>

Circuit diagram



# SUBCON-PLUS-PROFIB/SC2 - D-SUB bus connector



2708232

<https://www.phoenixcontact.com/in/products/2708232>

## Approvals



**cUL Recognized**  
Approval ID: FILE E 238705



**UL Recognized**  
Approval ID: FILE E 238705



**CSA**  
Approval ID: 2437602



**ATEX**  
Approval ID: PxCIF15ATEX2744348X

# SUBCON-PLUS-PROFIB/SC2 - D-SUB bus connector



2708232

<https://www.phoenixcontact.com/in/products/2708232>

## Classifications

### ECLASS

ECLASS-11.0	27440302
ECLASS-13.0	27440302
ECLASS-12.0	27440302

### ETIM

ETIM 8.0	EC001132
----------	----------

### UNSPSC

UNSPSC 21.0	39121400
-------------	----------

# SUBCON-PLUS-PROFIB/SC2 - D-SUB bus connector



2708232

<https://www.phoenixcontact.com/in/products/2708232>

## Environmental Product Compliance

China RoHS	Environmentally friendly use period: unlimited = EFUP-e
	No hazardous substances above threshold values

# SUBCON-PLUS-PROFIB/SC2 - D-SUB bus connector



2708232

<https://www.phoenixcontact.com/in/products/2708232>

## Accessories

### QUICK WIREFOX 6 - Stripping pliers

1204384

<https://www.phoenixcontact.com/in/products/1204384>



Stripping tool for cables with PVC insulation, stripping range: 0.08 to 6 mm<sup>2</sup>, wire cutting up to 6 mm<sup>2</sup> flexible or 4 mm<sup>2</sup> rigid

---

### PSM-STRIP-FC/PROFIB - Stripping tool

2744623

<https://www.phoenixcontact.com/in/products/2744623>

Quick stripping tool for PROFIBUS cable, type Fast Connect



# SUBCON-PLUS-PROFIB/SC2 - D-SUB bus connector



2708232

<https://www.phoenixcontact.com/in/products/2708232>

## PSM-CABLE-PROFIB/FC - Bus system cable

2744652

<https://www.phoenixcontact.com/in/products/2744652>



By the meter, Bus system cable, PROFIBUS (12 Mbps), shielded, PVC FR VI/PVC, violet, 2-wire (1X2XAWG22/1), color single wire: red, green, cable length: Free entry (1.0 ... 1000.0 m)

---

## SZF 0-0,4X2,5 - Screwdriver

1204504

<https://www.phoenixcontact.com/in/products/1204504>



Actuation tool, for ST terminal blocks, also suitable for use as a bladed screwdriver, size: 0.4 x 2.5 x 75 mm, 2-component grip, with non-slip grip

# SUBCON-PLUS-PROFIB/SC2 - D-SUB bus connector



2708232

<https://www.phoenixcontact.com/in/products/2708232>

## SZK PH1 VDE - Screwdriver

1205150

<https://www.phoenixcontact.com/in/products/1205150>



Screwdriver, PH crosshead, VDE insulated, size: PH 1 x 80 mm, 2-component grip, with non-slip grip

---

## SUBCON-PLUS-PROFIB/PG/SC2 - D-SUB bus connector

2708245

<https://www.phoenixcontact.com/in/products/2708245>



D-SUB connector, 9-pos., male connector, 35° cable entry, bus system: PROFIBUS DP up to 12 Mbps with PG D-SUB socket for connecting a programming device, termination resistor can be switched on via slide switch, pin assignment: 3, 5, 6, 8; screw connection terminal blocks

# SUBCON-PLUS-PROFIB/SC2 - D-SUB bus connector



2708232

<https://www.phoenixcontact.com/in/products/2708232>

## SUBCON-PLUS-PROFIB/90/PG/IDC - D-SUB bus connector

2313685

<https://www.phoenixcontact.com/in/products/2313685>



D-SUB connector, 9-pos., male connector, 90° cable entry, bus system: PROFIBUS DP up to 12 Mbps with PG D-SUB socket for connecting a programming device, termination resistor can be switched on via slide switch, pin assignment: 3, 5, 6, 8; IDC terminal block connection

---

## SUBCON-PLUS-PROFIB/AX/SC - D-SUB bus connector

2744380

<https://www.phoenixcontact.com/in/products/2744380>



D-SUB connector, 9-pos., male connector, axial version with two cable entries, bus system: PROFIBUS DP up to 12 Mbps, termination resistor can be switched on via slide switch, pin assignment: 3, 5, 6, 8; screw connection terminal blocks



# SUBCON-PLUS-PROFIB/SC2 - D-SUB bus connector



2708232

<https://www.phoenixcontact.com/in/products/2708232>

## PSI-TERMINATOR-PB-TBUS - Termination resistor

2702636

<https://www.phoenixcontact.com/in/products/2702636>



Active termination resistor for PROFIBUS and RS-485 bus systems, redundant power supply, routing of the supply voltage via DIN rail connector, electrical isolation, switchable termination, integrated programming interface

---

Phoenix Contact 2023 © - all rights reserved

<https://www.phoenixcontact.com>

PHOENIX CONTACT (I) Pvt. Ltd.

A-58/2, Okhla Industrial Area, Phase - II, New Delhi-110 020

+91.1275.71420

[info@phoenixcontact.co.in](mailto:info@phoenixcontact.co.in)