

IL PN BK DI8 DO4 2TX-PAC - Bus coupler



2703994

<https://www.phoenixcontact.com/in/products/2703994>

Please be informed that the data shown in this PDF document is generated from our Online Catalog. Please find the complete data in the user documentation. Our General Terms of Use for Downloads are valid.



Inline, Bus coupler, PROFINET, RJ45 jack, Digital inputs: 8, 24 V DC, connection technology: 3-conductor, Digital outputs: 4, 24 V DC, 500 mA, connection technology: 3-conductor, transmission speed in the local bus: 500 kbps / 2 Mbps, degree of protection: IP20

Product Description

The bus coupler with integrated I/Os is intended for use within a PROFINET network and represents the link to the Inline I/O system. Up to 61 Inline devices can be connected to the bus coupler. The bus coupler supports a maximum of 16 PCP devices.

Your advantages

- 2 Ethernet ports (with integrated switch)
- Connection to the PROFINET network via 8-pos. RJ45 jack
- Conformance with PROFINET specification V2.3 (firmware 4.00 or later)
- PROFINET IRT (firmware 4.00 or later)
- Automatic detection of the transmission speed in the local bus (500 kbps or 2 Mbps)
- 8 digital inputs, 4 digital outputs (on-board)
- Approved for PROFI-safe applications

Commercial Data

Item number	2703994
Packing unit	1 pc
Minimum order quantity	1 pc
Sales Key	DRI
Product Key	DRI11A
Catalog Page	Page 105 (C-6-2019)
GTIN	4046356041164
Weight per Piece (including packing)	347.3 g
Weight per Piece (excluding packing)	335.7 g
Customs tariff number	85176200
Country of origin	DE

IL PN BK DI8 DO4 2TX-PAC - Bus coupler

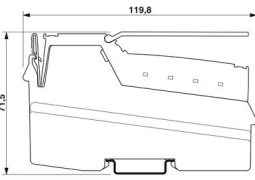


2703994

<https://www.phoenixcontact.com/in/products/2703994>

Technical Data

Dimensions

Dimensional drawing	
Width	80 mm
Height	119.8 mm
Depth	71.5 mm
Note on dimensions	Specifications with connectors

Notes

Utilization restriction

CCEx note	Use in potentially explosive areas is not permitted in China.
-----------	---

Material specifications

Color	green
-------	-------

Interfaces

PROFINET

Number of interfaces	2
Connection method	RJ45 jack
Note on the connection method	Auto negotiation and autocrossing
Transmission speed	100 Mbps (acc. to PROFINET standard)
Transmission physics	Ethernet in RJ45 twisted pair

Inline local bus

Connection method	Inline data jumper
Transmission speed	500 kbps / 2 Mbps (automatic detection, no combined system)

System properties

System limits

Number of supported devices	max. 63 (per station)
Number of local bus devices that can be connected	max. 61 (The on-board I/Os are two devices)
Number of devices with parameter channel	max. 16
Number of supported branch terminals with remote bus branch	0

PROFINET

Device function	PROFINET device
-----------------	-----------------

IL PN BK DI8 DO4 2TX-PAC - Bus coupler



2703994

<https://www.phoenixcontact.com/in/products/2703994>

Update rate	min. 1 ms (depending on the size of the bus system)
-------------	---

Module

ID code (hex)	none
Input address area	8 bit
Output address area	4 bit
Register length	16 bit

Input data

Digital

Input name	Digital inputs
Description of the input	EN 61131-2 type 1
Number of inputs	8
Connection method	Inline connector
Connection technology	3-conductor
Input voltage	24 V DC
Input voltage range "0" signal	-30 V DC ... 5 V DC
Input voltage range "1" signal	15 V DC ... 30 V DC
Nominal input voltage U_{IN}	24 V DC
Nominal input current at U_{IN}	typ. 3 mA
Typical input current per channel	typ. 3 mA
Typical response time	approx. 500 μ s
Filter time	3 ms
Delay at signal change from 0 to 1	5 ms
Delay at signal change from 1 to 0	5 ms

Output data

Digital

Output name	Digital outputs
Connection method	Inline connector
Connection technology	3-conductor
Number of outputs	4
Protective circuit	Short-circuit and overload protection; Freewheeling circuit in the output driver
Output voltage	24 V DC -1 V (At nominal current)
Maximum output current per module	max. 2 A
Nominal output voltage	24 V DC
Output current when switched off	max. 10 μ A (When not loaded, a voltage can be measured even at an output that is not set.)
Nominal load, inductive	12 VA (1.2 H, 48 Ω)
Nominal load, lamp	12 W
Nominal load, ohmic	12 W
Reverse voltage resistance to short pulses	Reverse voltage proof
Behavior with overload	Auto restart

IL PN BK DI8 DO4 2TX-PAC - Bus coupler



2703994

<https://www.phoenixcontact.com/in/products/2703994>

Behavior with inductive overload	Output can be destroyed
Behavior at voltage switch-off	The output follows the power supply without delay

Product properties

Type	modular
Product type	I/O component
Product family	Inline
No. of channels	12
Diagnostics messages	Short-circuit or overload of the digital outputs yes
	Sensor supply failure yes
	Failure of the actuator supply yes

Insulation characteristics

Overvoltage category	II (IEC 60664-1, EN 60664-1)
Pollution degree	2 (IEC 60664-1, EN 60664-1)

Electrical properties

No. of channels	12
Maximum power dissipation for nominal condition	max. 3.3 W

Potentials

Power consumption	typ. 3 W (entire device)
Protective circuit	Surge protection (segment supply, main supply, bus coupler supply); Suppressor diode, 35 V DC
	Reverse polarity protection (segment supply, main supply, bus coupler supply); Suppressor diode, 35 V DC

Potentials: Bus coupler supply U_{BK} ; Communications power U_L (7.5 V) and the analog supply U_{ANA} (24 V) are generated from the bus coupler supply.

Supply voltage	24 V DC (via Inline connector)
Supply voltage range	19.2 V DC ... 30 V DC (including all tolerances, including ripple)
Current draw	max. 0.91 A (with max. number of connected I/O terminal blocks)
	typ. 138 mA

Potentials: Communications power (U_L)

Supply voltage	7.5 V DC
----------------	----------

Potentials: Supply of analog modules (U_{ANA})

Supply voltage	24 V DC
Supply voltage range	19.2 V DC ... 30 V DC (including all tolerances, including ripple)

Potentials: Main circuit supply (U_M)

Supply voltage	24 V DC (via Inline connector)
Supply voltage range	19.2 V DC ... 30 V DC (including all tolerances, including ripple)
Current draw	max. 8 A DC
	min. 3 mA (without connected peripherals)

Potentials: Segment circuit supply (U_S)

IL PN BK DI8 DO4 2TX-PAC - Bus coupler



2703994

<https://www.phoenixcontact.com/in/products/2703994>

Supply voltage	24 V DC (via Inline connector)
Supply voltage range	19.2 V DC ... 30 V DC (including all tolerances, including ripple)
Current draw	max. 8 A DC
	min. 3 mA (without connected peripherals)

Connection data

Connection technology

Connection name	Inline connector
-----------------	------------------

Conductor connection

Connection method	Spring-cage connection
Conductor cross section rigid	0.08 mm ² ... 1.5 mm ²
Conductor cross section flexible	0.08 mm ² ... 1.5 mm ²
Conductor cross section AWG	28 ... 16
Stripping length	8 mm

Inline connector

Connection method	Spring-cage connection
Conductor cross section, rigid	0.08 mm ² ... 1.5 mm ²
Conductor cross section, flexible	0.08 mm ² ... 1.5 mm ²
Conductor cross section AWG	28 ... 16
Stripping length	8 mm

Environmental and real-life conditions

Ambient conditions

Ambient temperature (operation)	-25 °C ... 55 °C (observe derating)
Degree of protection	IP20
Air pressure (operation)	70 kPa ... 106 kPa (up to 3000 m above sea level)
Air pressure (storage/transport)	70 kPa ... 106 kPa (up to 3000 m above sea level)
Ambient temperature (storage/transport)	-40 °C ... 85 °C
Permissible humidity (operation)	10 % ... 95 % (non-condensing)
Permissible humidity (storage/transport)	10 % ... 95 % (non-condensing)

Standards and regulations

Protection class	III (IEC 61140, EN 61140, VDE 0140-1)
------------------	---------------------------------------

Mounting

Mounting type	DIN rail mounting
---------------	-------------------

IL PN BK DI8 DO4 2TX-PAC - Bus coupler

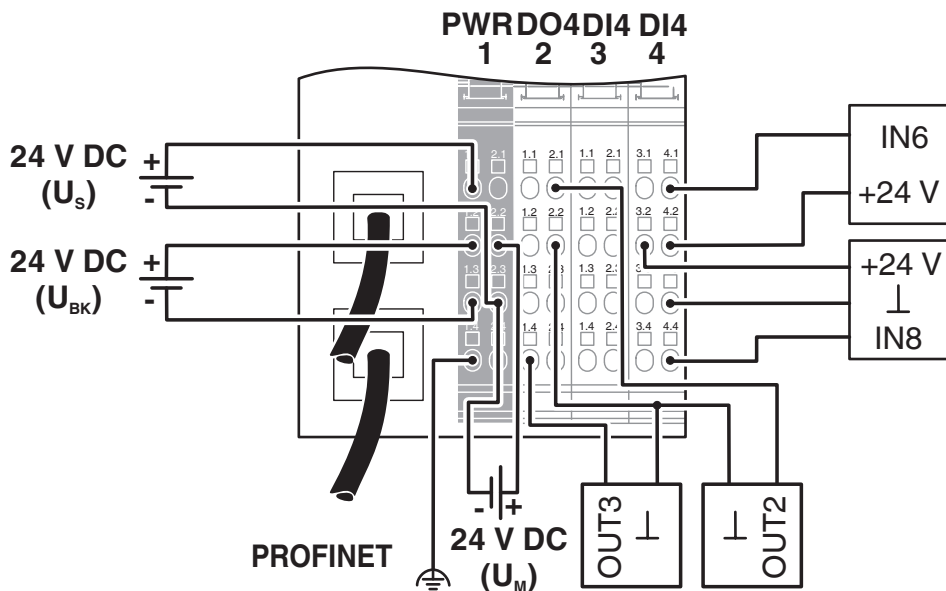


2703994

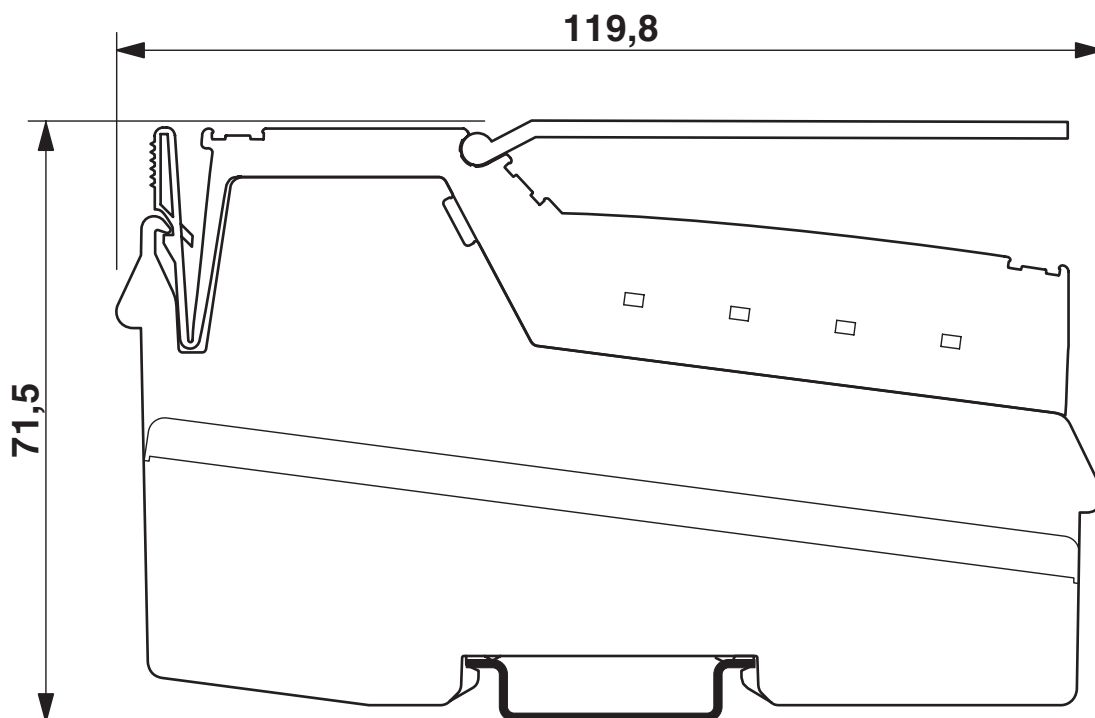
<https://www.phoenixcontact.com/in/products/2703994>

Drawings

Connection diagram



Dimensional drawing

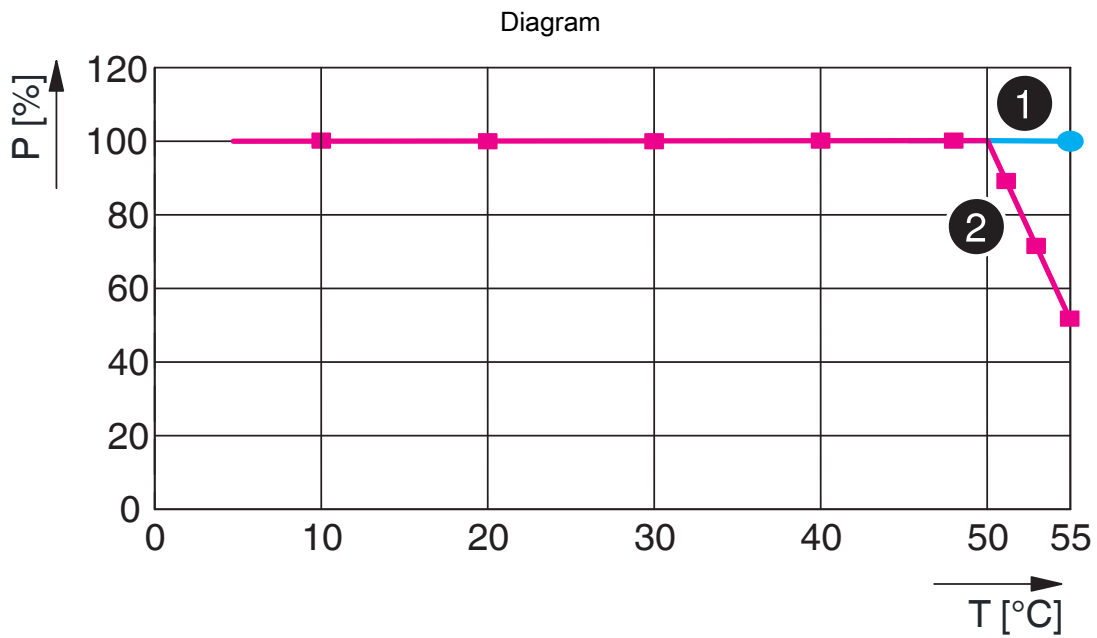


IL PN BK DI8 DO4 2TX-PAC - Bus coupler



2703994

<https://www.phoenixcontact.com/in/products/2703994>



Derating for different mounting positions

1 - Mounting on a horizontal DIN rail

2 - Other mounting positions

P [%] Power dissipation as a percentage

T [°C] Temperature in °C

IL PN BK DI8 DO4 2TX-PAC - Bus coupler



2703994

<https://www.phoenixcontact.com/in/products/2703994>

Approvals



DNV GL

Approval ID: TAA00000BN



LR

Approval ID: LR22191720TA



BV

Approval ID: 20989/B2_BV



UL Listed

Approval ID: FILE E 140324



cUL Listed

Approval ID: FILE E 140324



RINA

Approval ID: ELE121121XG



cUL Listed

Approval ID: FILE E 140324



UL Listed

Approval ID: FILE E 140324



DNV GL

Approval ID: TAA00000BN



RINA

Approval ID: ELE121121XG



LR

Approval ID: LR22191720TA



ATEX

Approval ID: PxCIF09ATEX2703994X

IL PN BK DI8 DO4 2TX-PAC - Bus coupler



2703994

<https://www.phoenixcontact.com/in/products/2703994>



cUL Listed

Approval ID: FILE E 199827



UL Listed

Approval ID: FILE E 199827



UL Listed

Approval ID: FILE E 199827



cUL Listed

Approval ID: FILE E 199827



ATEX

Approval ID: PxCIF09ATEX2703994X

IL PN BK DI8 DO4 2TX-PAC - Bus coupler



2703994

<https://www.phoenixcontact.com/in/products/2703994>

Classifications

ECLASS

ECLASS-11.0	27242608
ECLASS-12.0	27242608
ECLASS-13.0	27242608

ETIM

ETIM 8.0	EC001604
----------	----------

UNSPSC

UNSPSC 21.0	32151600
-------------	----------

IL PN BK DI8 DO4 2TX-PAC - Bus coupler



2703994

<https://www.phoenixcontact.com/in/products/2703994>

Environmental Product Compliance

China RoHS	Environmentally friendly use period: unlimited = EFUP-e
	No hazardous substances above threshold values

IL PN BK DI8 DO4 2TX-PAC - Bus coupler

2703994

<https://www.phoenixcontact.com/in/products/2703994>

Accessories

CLIPFIX 35 - End clamp

3022218

<https://www.phoenixcontact.com/in/products/3022218>

Quick mounting end clamp for NS 35/7,5 DIN rail or NS 35/15 DIN rail, with marking option, width: 9.5 mm, color: gray



E/UK - End clamp

1201442

<https://www.phoenixcontact.com/in/products/1201442>

End clamp, material: PA, color: gray, Mounting on a DIN rail NS 32 or NS 35



IL PN BK DI8 DO4 2TX-PAC - Bus coupler

2703994

<https://www.phoenixcontact.com/in/products/2703994>



ESL 62X46 - Insert strip

0809502

<https://www.phoenixcontact.com/in/products/0809502>

Insert strip, Sheet, white, unlabeled, can be labeled with: Office printing systems:
Laser printer, mounting type: insert, lettering field size: 62 x 46 mm, Number of
individual labels: 15



IB IL FIELD 8 - Labeling field

2727515

<https://www.phoenixcontact.com/in/products/2727515>

Labeling field, width: 48.8 mm



IL PN BK DI8 DO4 2TX-PAC - Bus coupler

2703994

<https://www.phoenixcontact.com/in/products/2703994>



ESL 62X10 - Insert strip

0809492

<https://www.phoenixcontact.com/in/products/0809492>

Insert strip, Sheet, white, unlabeled, can be labeled with: Office printing systems: Laser printer, mounting type: insert, lettering field size: 62 x 10 mm, Number of individual labels: 72



IB IL FIELD 2 - Labeling field

2727501

<https://www.phoenixcontact.com/in/products/2727501>

Labeling field, width: 12.2 mm



IL PN BK DI8 DO4 2TX-PAC - Bus coupler

2703994

<https://www.phoenixcontact.com/in/products/2703994>



FL PLUG RJ45 GR/2 - RJ45 connector

2744856

<https://www.phoenixcontact.com/in/products/2744856>



RJ45 connector, design: RJ45, degree of protection: IP20, number of positions: 8, 1 Gbps, CAT5 (IEC 11801:2002), material: Plastic, connection method: Crimp connection, cable outlet: straight, color: green, Ethernet

FL PLUG RJ45 GN/2 - RJ45 connector

2744571

<https://www.phoenixcontact.com/in/products/2744571>



RJ45 connector, design: RJ45, degree of protection: IP20, number of positions: 8, 1 Gbps, CAT5 (IEC 11801:2002), material: Plastic, connection method: Crimp connection, cable outlet: straight, color: green, Ethernet

IL PN BK DI8 DO4 2TX-PAC - Bus coupler

2703994

<https://www.phoenixcontact.com/in/products/2703994>



FL CAT5 HEAVY - Data cable

2744814

<https://www.phoenixcontact.com/in/products/2744814>



CAT5-SF/UTP cable (J-02YS(ST)C HP 2 x 2 x 24 AWG), heavy-duty installation cable, 2 x 2 x 0.22 mm², solid conductor, shielded, outer sheath: 7.8 mm diameter, inner sheath: 5.75 mm ± 0.15 mm diameter

FL CAT5 FLEX - Installation cable

2744830

<https://www.phoenixcontact.com/in/products/2744830>



By the meter, Installation cable, Ethernet CAT5 (100 Mbps), shielded, PUR halogen-free, water blue RAL 5021, 4-wire (2x2xAWG26/7; SF/UTP), color single wire: white/orange-orange, white/green-green, cable length: Free entry (1.0 ... 1000.0 m)

IL PN BK DI8 DO4 2TX-PAC - Bus coupler



2703994

<https://www.phoenixcontact.com/in/products/2703994>

FL CRIMPTOOL - Assembly tool

2744869

<https://www.phoenixcontact.com/in/products/2744869>

Crimping pliers, for assembling the RJ45 plugs FL PLUG RJ45..., for assembly on site



IL BKDIO-PLSET - Connector set

2878599

<https://www.phoenixcontact.com/in/products/2878599>

Connector set, for Inline bus coupler with I/Os mounted in rows



Phoenix Contact 2023 © - all rights reserved
<https://www.phoenixcontact.com>

PHOENIX CONTACT (I) Pvt. Ltd.
A-58/2, Okhla Industrial Area, Phase - II, New Delhi-110 020

+91.1275.71420
info@phoenixcontact.co.in