

IL EC BK-PAC - Bus coupler



2702507

<https://www.phoenixcontact.com/in/products/2702507>

Please be informed that the data shown in this PDF document is generated from our Online Catalog. Please find the complete data in the user documentation. Our General Terms of Use for Downloads are valid.



Inline, Bus coupler, EtherCAT[®], RJ45 jack, transmission speed in the local bus: 500 kbps / 2 Mbps, degree of protection: IP20, including Inline connector and labeling field

Product Description

The bus coupler is intended for use within an EtherCAT[®] network and represents the link to the Inline I/O system. Up to 63 Inline devices can be connected to the bus coupler. EtherCAT[®] is a registered trademark and patented technology, licensed by Beckhoff Automation GmbH, Germany. A corresponding ESI file is available for integrating the Inline station into the programming system. This file can be downloaded via the product at [phoenixcontact.net/products](https://www.phoenixcontact.net/products).

Your advantages

- 2 RJ45 connections
- Automatic addressing
- Station mapped as a modular EtherCAT[®] device using a modular device profile (MDP)
- Acyclic data communication (mailbox protocols)
- SafetyBridge V3 supported
- Firmware can be updated

Commercial Data

Item number	2702507
Packing unit	1 pc
Minimum order quantity	1 pc
Sales Key	DRI
Product Key	DRI11E
Catalog Page	Page 102 (C-6-2019)
GTIN	4055626258683
Weight per Piece (including packing)	178 g
Weight per Piece (excluding packing)	168 g
Customs tariff number	85176200
Country of origin	DE

IL EC BK-PAC - Bus coupler

2702507

<https://www.phoenixcontact.com/in/products/2702507>

Technical Data

Dimensions

Dimensional drawing	
Width	40 mm
Height	119.4 mm
Depth	71.5 mm
Note on dimensions	Housing dimensions

Material specifications

Color	green
-------	-------

Interfaces

EtherCAT[®]

Connection method	RJ45 jack
Note on the connection method	Auto negotiation and autocrossing
Transmission speed	100 Mbps (Full duplex)
Transmission physics	Ethernet in RJ45 twisted pair

Inline local bus

Number of interfaces	1
Connection method	Inline data jumper
Transmission speed	500 kbps / 2 Mbps (automatic detection, no combined system)

EtherCAT[®]

System-specific protocols	Mailbox protocols CAN application protocol over EtherCAT [®] Mailbox protocols File access over EtherCAT [®]
Specification	ETG.1000 V1.02

System properties

System limits

Number of supported devices	max. 63 (per station)
Number of local bus devices that can be connected	max. 63
Number of devices with parameter channel	max. 16
Number of supported branch terminals with remote bus branch	0

Module

ID code (hex)	none
---------------	------

Product properties

Type	modular
Product type	I/O component
Product family	Inline
Scope of delivery	including Inline connector and labeling field
Diagnostics messages	Messages via object 10F3 _{hex} Diagnosis history

Electrical properties

Potentials

Power consumption	typ. 1.7 W (entire device)
-------------------	----------------------------

Potentials: Bus coupler supply U_{BK} ; Communications power U_L (7.5 V) and the analog supply U_{ANA} (24 V) are generated from the bus coupler supply.

Supply voltage	24 V DC (via Inline connector)
Supply voltage range	19.2 V DC ... 30 V DC (including all tolerances, including ripple)
Current draw	max. 0.9 A (with max. number of connected I/O terminal blocks) typ. 70.6 mA (No local bus devices connected)

Potentials: Communications power (U_L)

Supply voltage	7.5 V DC
----------------	----------

Potentials: Supply of analog modules (U_{ANA})

Supply voltage	24 V DC
Supply voltage range	19.2 V DC ... 30 V DC (including all tolerances, including ripple)

Potentials: Main circuit supply (U_M)

Supply voltage	24 V DC (via Inline connector)
Supply voltage range	19.2 V DC ... 30 V DC (including all tolerances, including ripple)

Potentials: Segment circuit supply (U_S)

Supply voltage	24 V DC (via Inline connector)
Supply voltage range	19.2 V DC ... 30 V DC (including all tolerances, including ripple)

Connection data

Connection technology

Connection name	Inline connector
-----------------	------------------

Conductor connection

Connection method	Spring-cage connection
Conductor cross section rigid	0.08 mm ² ... 1.5 mm ²
Conductor cross section flexible	0.08 mm ² ... 1.5 mm ²
Conductor cross section AWG	28 ... 16
Stripping length	8 mm

Inline connector

Connection method	Spring-cage connection
-------------------	------------------------

IL EC BK-PAC - Bus coupler



2702507

<https://www.phoenixcontact.com/in/products/2702507>

Conductor cross section, rigid	0.08 mm ² ... 1.5 mm ²
Conductor cross section, flexible	0.08 mm ² ... 1.5 mm ²
Conductor cross section AWG	28 ... 16
Stripping length	8 mm

Environmental and real-life conditions

Ambient conditions

Ambient temperature (operation)	-25 °C ... 55 °C
Degree of protection	IP20
Air pressure (operation)	70 kPa ... 106 kPa (up to 3000 m above sea level)
Air pressure (storage/transport)	70 kPa ... 106 kPa (up to 3000 m above sea level)
Ambient temperature (storage/transport)	-40 °C ... 85 °C
Permissible humidity (operation)	10 % ... 95 % (non-condensing)
Permissible humidity (storage/transport)	10 % ... 95 % (non-condensing)

Standards and regulations

Protection class	III (IEC 61140, EN 61140, VDE 0140-1)
------------------	---------------------------------------

Mounting

Mounting type	DIN rail mounting
---------------	-------------------

IL EC BK-PAC - Bus coupler

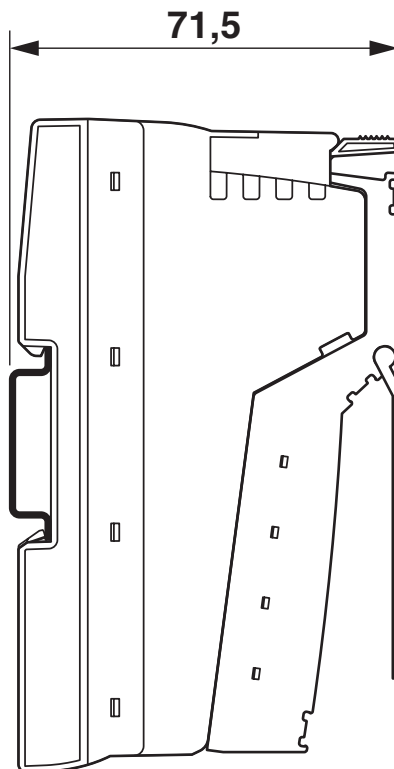
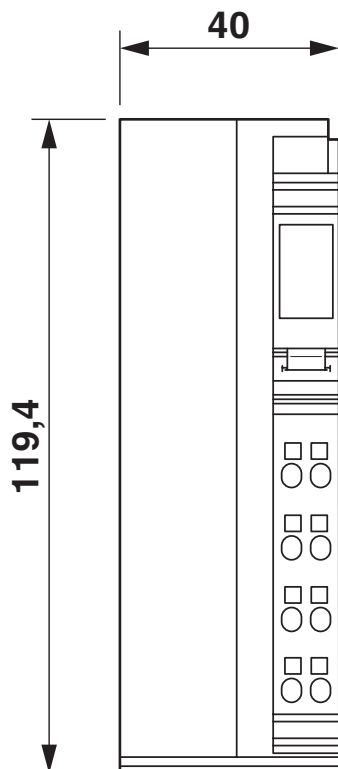
2702507

<https://www.phoenixcontact.com/in/products/2702507>



Drawings

Dimensional drawing



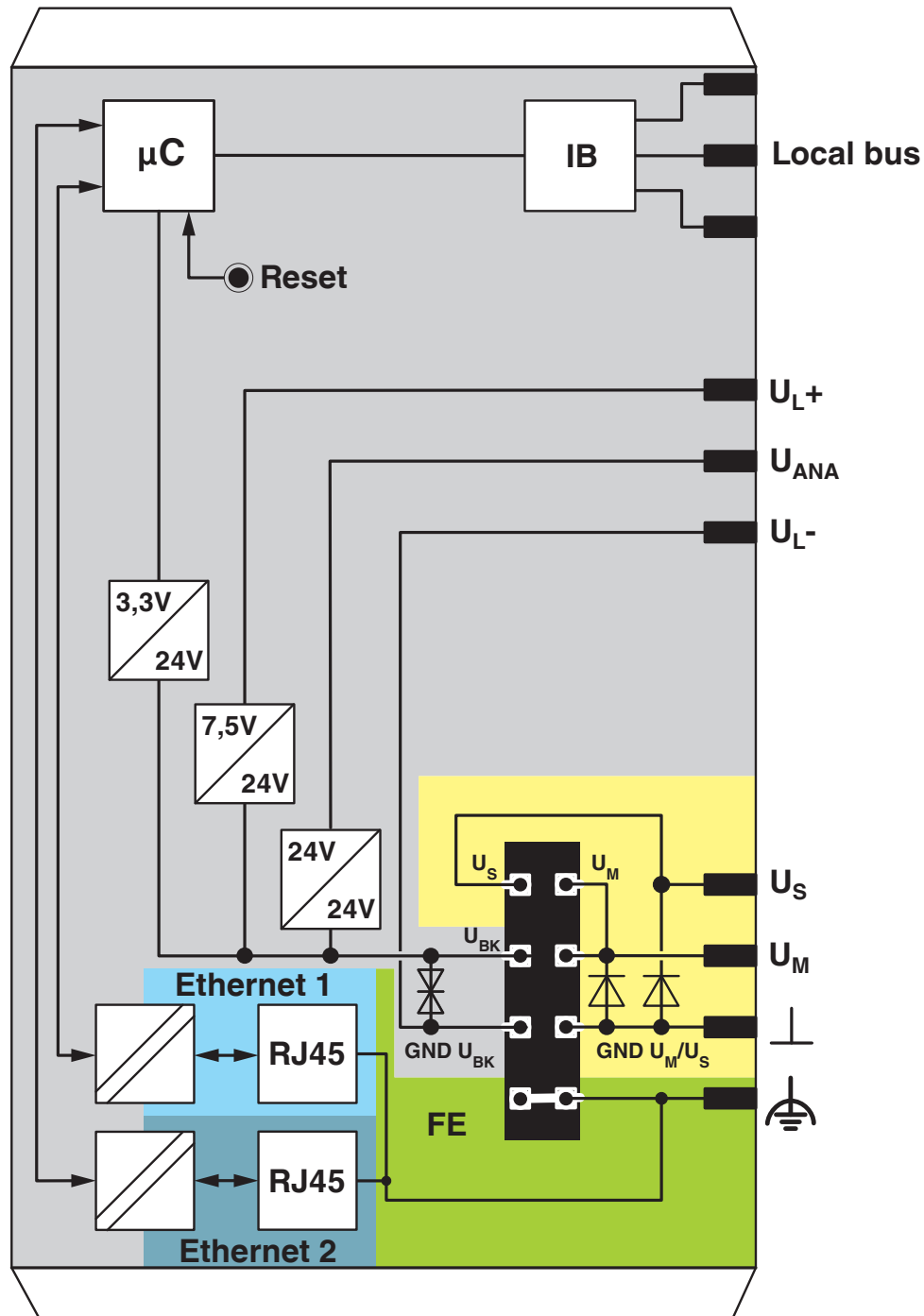
IL EC BK-PAC - Bus coupler

2702507

<https://www.phoenixcontact.com/in/products/2702507>



Block diagram



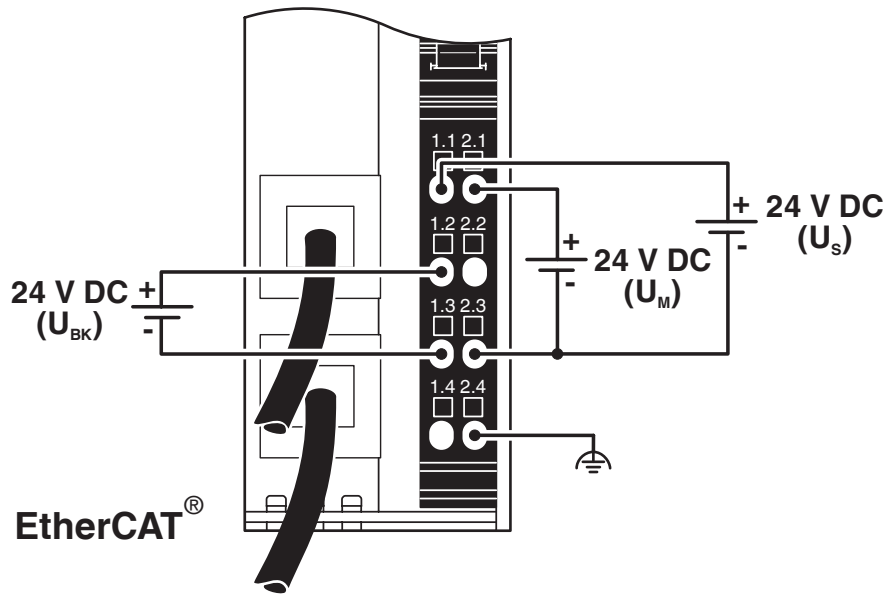
IL EC BK-PAC - Bus coupler

2702507

<https://www.phoenixcontact.com/in/products/2702507>



Connection diagram



IL EC BK-PAC - Bus coupler



2702507

<https://www.phoenixcontact.com/in/products/2702507>

Approvals



UL Listed

Approval ID: FILE E 238705



cUL Listed

Approval ID: FILE E 238705

IL EC BK-PAC - Bus coupler



2702507

<https://www.phoenixcontact.com/in/products/2702507>

Classifications

ECLASS

ECLASS-11.0	27242608
ECLASS-12.0	27242608
ECLASS-13.0	27242608

ETIM

ETIM 8.0	EC001604
----------	----------

UNSPSC

UNSPSC 21.0	32151600
-------------	----------

IL EC BK-PAC - Bus coupler

2702507

<https://www.phoenixcontact.com/in/products/2702507>



Environmental Product Compliance

REACH SVHC

Lead 7439-92-1

IL EC BK-PAC - Bus coupler

2702507

<https://www.phoenixcontact.com/in/products/2702507>



Accessories

IB IL FIELD 2 - Labeling field

2727501

<https://www.phoenixcontact.com/in/products/2727501>

Labeling field, width: 12.2 mm



ESL 62X10 - Insert strip

0809492

<https://www.phoenixcontact.com/in/products/0809492>

Insert strip, Sheet, white, unlabeled, can be labeled with: Office printing systems: Laser printer, mounting type: insert, lettering field size: 62 x 10 mm, Number of individual labels: 72



IL EC BK-PAC - Bus coupler

2702507

<https://www.phoenixcontact.com/in/products/2702507>



CLIPFIX 35-5 - End clamp

3022276

<https://www.phoenixcontact.com/in/products/3022276>



Quick mounting end clamp for NS 35/7,5 DIN rail or NS 35/15 DIN rail, with marking option, with parking option for FBS...5, FBS...6, KSS 5, KSS 6, width: 5.15 mm, color: gray

CLIPFIX 35 - End clamp

3022218

<https://www.phoenixcontact.com/in/products/3022218>



Quick mounting end clamp for NS 35/7,5 DIN rail or NS 35/15 DIN rail, with marking option, width: 9.5 mm, color: gray

IL EC BK-PAC - Bus coupler

2702507

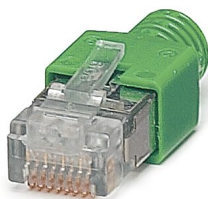
<https://www.phoenixcontact.com/in/products/2702507>



FL PLUG RJ45 GR/2 - RJ45 connector

2744856

<https://www.phoenixcontact.com/in/products/2744856>



RJ45 connector, design: RJ45, degree of protection: IP20, number of positions: 8, 1 Gbps, CAT5 (IEC 11801:2002), material: Plastic, connection method: Crimp connection, cable outlet: straight, color: green, Ethernet

FL PLUG RJ45 GN/2 - RJ45 connector

2744571

<https://www.phoenixcontact.com/in/products/2744571>



RJ45 connector, design: RJ45, degree of protection: IP20, number of positions: 8, 1 Gbps, CAT5 (IEC 11801:2002), material: Plastic, connection method: Crimp connection, cable outlet: straight, color: green, Ethernet

IL EC BK-PAC - Bus coupler

2702507

<https://www.phoenixcontact.com/in/products/2702507>



FL CAT5 HEAVY - Data cable

2744814

<https://www.phoenixcontact.com/in/products/2744814>



CAT5-SF/UTP cable (J-02YS(ST)C HP 2 x 2 x 24 AWG), heavy-duty installation cable, 2 x 2 x 0.22 mm², solid conductor, shielded, outer sheath: 7.8 mm diameter, inner sheath: 5.75 mm ± 0.15 mm diameter

FL CAT5 FLEX - Installation cable

2744830

<https://www.phoenixcontact.com/in/products/2744830>



By the meter, Installation cable, Ethernet CAT5 (100 Mbps), shielded, PUR halogen-free, water blue RAL 5021, 4-wire (2x2xAWG26/7; SF/UTP), color single wire: white/orange-orange, white/green-green, cable length: Free entry (1.0 ... 1000.0 m)

IL EC BK-PAC - Bus coupler

2702507

<https://www.phoenixcontact.com/in/products/2702507>



FL CRIMPTOOL - Assembly tool

2744869

<https://www.phoenixcontact.com/in/products/2744869>

Crimping pliers, for assembling the RJ45 plugs FL PLUG RJ45..., for assembly on site



D-LAN-CAT.5-FP - Surge protection device

2800723

<https://www.phoenixcontact.com/in/products/2800723>



Fine surge protection for data networks up to 1 Gbps. For use in Ethernet, Power over Ethernet (PoE, mode A and mode B), token ring, ISDN, and DS1. RJ45 attachment plug with separate grounding cable and snap-on foot for NS 35 DIN rails.

Phoenix Contact 2023 © - all rights reserved
<https://www.phoenixcontact.com>

PHOENIX CONTACT (I) Pvt. Ltd.
A-58/2, Okhla Industrial Area, Phase - II, New Delhi-110 020

+91.1275.71420
info@phoenixcontact.co.in