

IB IL AI 4/I/4-20-ECO - Analog module



2702495

<https://www.phoenixcontact.com/in/products/2702495>

Please be informed that the data shown in this PDF document is generated from our online catalog. Please find the complete data in the user documentation. Our general terms of use for downloads are valid.



Inline, Analog input terminal, Analog inputs: 4, 4 mA ... 20 mA, connection technology: 2-conductor, transmission speed in the local bus: 500 kbps, degree of protection: IP20, including Inline connector

Product description

The terminal is designed for use within an Inline station. The measured values are depicted in standardized representation format. Inline ECO terminals are approved for the temperature range from 0°C to +55°C. The electronics base and Inline connector are supplied as standard.

Your advantages

- 4 analog input channels
- Connection of sensors in 2-conductor technology
- Current range: 4 mA ... 20 mA
- Data format: standardized representation
- Resolution: 12 bits
- Diagnostic indicator

Commercial data

Item number	2702495
Packing unit	1 pc
Minimum order quantity	1 pc
Sales key	DRI
Product key	DRI141
Catalog page	Page 118 (C-6-2019)
GTIN	4055626306759
Weight per piece (including packing)	84.7 g
Weight per piece (excluding packing)	69 g
Customs tariff number	85389099
Country of origin	DE

IB IL AI 4/I/4-20-ECO - Analog module

2702495

<https://www.phoenixcontact.com/in/products/2702495>

Technical data

Dimensions

Dimensional drawing	
Width	12.2 mm
Height	119.8 mm
Depth	71.5 mm

Notes

Note on application

Note on application	Only for industrial use
---------------------	-------------------------

Interfaces

Inline local bus

Number of interfaces	2
Connection method	Inline data jumper
Transmission speed	500 kbps

System properties

Module

ID code (dec.)	126
ID code (hex)	7E
Length code (hex)	04
Length code (dec)	04
Process data channel	64 bit
Input address area	8 Byte
Output address area	0 Byte
Register length	64 bit
Required parameter data	1 Byte
Required configuration data	4 Byte

Input data

Analog: General

Input name	Analog inputs
Description of the input	Single-ended inputs, current
Number of inputs	4

IB IL AI 4/I/4-20-ECO - Analog module



2702495

<https://www.phoenixcontact.com/in/products/2702495>

A/D converter resolution	12 bit
Connection method	Inline connector
Connection technology	2-conductor
Note regarding the connection technology	shielded, twisted pair
Current input signal	4 mA ... 20 mA
Input resistance current input	200 Ω
Data formats	Standardized representation
Measured value representation	16 bits
Protective circuit	Overload protection; max. ± 10 V DC, corresponds to max. ± 50 mA through the shunts Transient protection; Suppressor diode

Product properties

Product type	I/O component
Product family	Inline
Type	modular
Scope of delivery	including Inline connector
Diagnostics messages	Failure of the internal I/O supply I/O error message sent to the bus coupler Checksum error I/O error message sent to the bus coupler

Data management status

Article revision	04
------------------	----

Electrical properties

Potentials

Power consumption	typ. 0.8 W max. 0.9 W
-------------------	--------------------------

Potentials: Communications power (U_L)

Supply voltage	7.5 V DC (via voltage jumper)
Current draw	max. 70 mA typ. 60 mA

Potentials: Supply of analog modules (U_{ANA})

Supply voltage	24 V DC (via voltage jumper)
Supply voltage range	19.2 V DC ... 30 V DC (including all tolerances, including ripple)
Current draw	max. 20 mA typ. 15 mA

Electrical isolation/isolation of the voltage ranges

Test voltage: Bus logic (local bus, communications power)	500 V AC, 50 Hz, 1 min.
Test voltage: Analog I/O	500 V AC, 50 Hz, 1 min.
Test voltage: Functional ground	500 V AC, 50 Hz, 1 min.

Connection data

IB IL AI 4/I/4-20-ECO - Analog module



2702495

<https://www.phoenixcontact.com/in/products/2702495>

Connection technology

Connection name	Inline connector
-----------------	------------------

Conductor connection

Connection method	Spring-cage connection
Conductor cross section rigid	0.08 mm ² ... 1.5 mm ²
Conductor cross section flexible	0.08 mm ² ... 1.5 mm ²
Conductor cross section AWG	28 ... 16
Stripping length	8 mm

Inline connector

Connection method	Spring-cage connection
Conductor cross section, rigid	0.08 mm ² ... 1.5 mm ²
Conductor cross section, flexible	0.08 mm ² ... 1.5 mm ²
Conductor cross section AWG	28 ... 16
Stripping length	8 mm

Environmental and real-life conditions

Ambient conditions

Ambient temperature (operation)	0 °C ... 55 °C
Degree of protection	IP20
Air pressure (operation)	70 kPa ... 106 kPa (up to 3000 m above sea level)
Air pressure (storage/transport)	70 kPa ... 106 kPa (up to 3000 m above sea level)
Ambient temperature (storage/transport)	-25 °C ... 85 °C
Permissible humidity (operation)	10 % ... 95 % (according to DIN EN 61131-2)
Permissible humidity (storage/transport)	10 % ... 95 % (according to DIN EN 61131-2)

Standards and regulations

Protection class	III (IEC 61140, EN 61140, VDE 0140-1)
------------------	---------------------------------------

Mounting

Mounting type	DIN rail mounting
---------------	-------------------

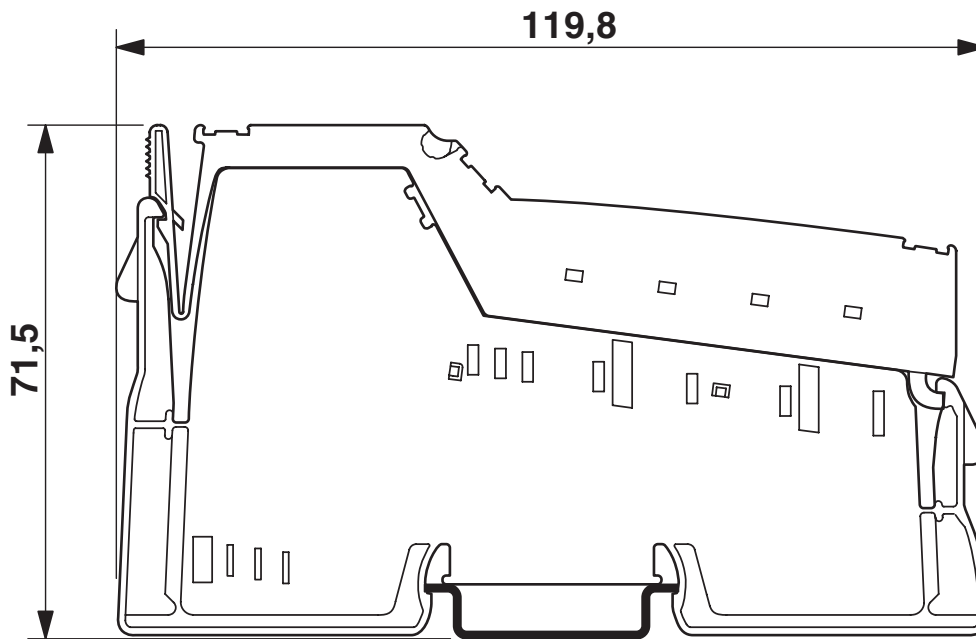
IB IL AI 4/I/4-20-ECO - Analog module

2702495

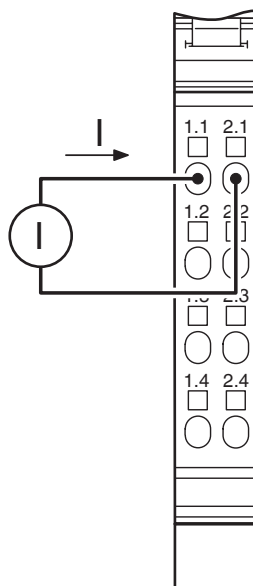
<https://www.phoenixcontact.com/in/products/2702495>

Drawings

Dimensional drawing



Connection diagram



Connecting the sensors

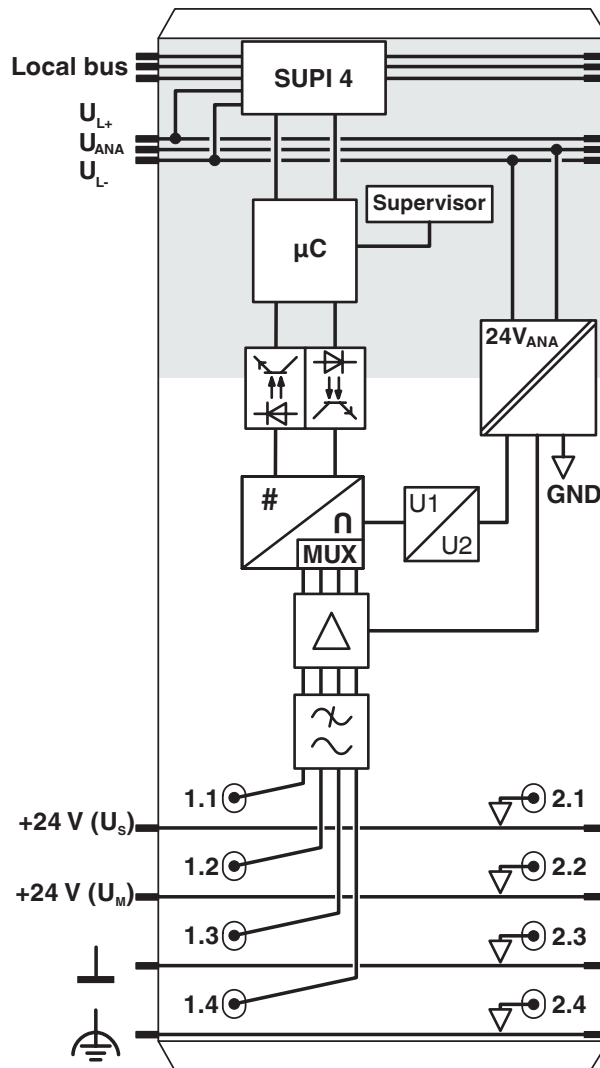
IB IL AI 4/I/4-20-ECO - Analog module

2702495

<https://www.phoenixcontact.com/in/products/2702495>



Block diagram



IB IL AI 4/I/4-20-ECO - Analog module



2702495

<https://www.phoenixcontact.com/in/products/2702495>

Approvals

To download certificates, visit the product detail page: <https://www.phoenixcontact.com/in/products/2702495>



UL Listed

Approval ID: E238705



cUL Listed

Approval ID: E238705

cULus Listed

IB IL AI 4/I/4-20-ECO - Analog module



2702495

<https://www.phoenixcontact.com/in/products/2702495>

Classifications

ECLASS

ECLASS-11.0	27242601
ECLASS-12.0	27242601
ECLASS-13.0	27242601

ETIM

ETIM 9.0	EC001596
----------	----------

UNSPSC

UNSPSC 21.0	32151600
-------------	----------

2702495

<https://www.phoenixcontact.com/in/products/2702495>

Environmental product compliance

EU RoHS

Fulfills EU RoHS substance requirements	Yes
Exemption	7(a), 7(c)-I, 7(c)-II

China RoHS

Environment friendly use period (EFUP)	EFUP-50
	An article-related China RoHS declaration table can be found in the download area for the respective article under "Manufacturer declaration". For all articles with EFUP-E, no China RoHS declaration table issued and required.

EU REACH SVHC

REACH candidate substance (CAS No.)	Lead(CAS: 7439-92-1)
SCIP	2c7e214e-7631-4eee-9dbe-b567094a6e70

IB IL AI 4/I/4-20-ECO - Analog module



2702495

<https://www.phoenixcontact.com/in/products/2702495>

Accessories

SK 8 - Shield connection clamp

3025163

<https://www.phoenixcontact.com/in/products/3025163>



Shield connection clamp, for shield on busbars, contact resistance < 1 mΩ

SK 14 - Shield connection clamp

3025176

<https://www.phoenixcontact.com/in/products/3025176>



Shield connection clamp, for shield on busbars, contact resistance < 1 mΩ

IB IL AI 4/I/4-20-ECO - Analog module

2702495

<https://www.phoenixcontact.com/in/products/2702495>

SK 20 - Shield connection clamp

3025189

<https://www.phoenixcontact.com/in/products/3025189>



Shield connection clamp, for shield on busbars, contact resistance < 1 mΩ

SK 35 - Shield connection clamp

3026463

<https://www.phoenixcontact.com/in/products/3026463>



Shield connection clamp, for shield on busbars, contact resistance < 1 mΩ

IB IL AI 4/I/4-20-ECO - Analog module

2702495

<https://www.phoenixcontact.com/in/products/2702495>



AB-SK - Support bracket

3025341

<https://www.phoenixcontact.com/in/products/3025341>

Support bracket for busbars



AB-SK 65 - Support bracket

3026489

<https://www.phoenixcontact.com/in/products/3026489>

Support bracket, Bracket for busbars, set every 20 cm, width: 6.2 mm, height: 95.5 mm, number of positions: 1, color: gray, mounting type: DIN rail mounting



IB IL AI 4/I/4-20-ECO - Analog module

2702495

<https://www.phoenixcontact.com/in/products/2702495>



AB-SK/E - Support bracket

3026476

<https://www.phoenixcontact.com/in/products/3026476>

Support bracket, Bracket for busbars, set every 20 cm, depth: 20 mm, width: 56 mm, height: 10 mm, diameter: 4.5 mm, number of positions: 2, color: silver, mounting type: Direct mounting



NLS-CU 3/10 SN 1000MM - Neutral busbar

0402174

<https://www.phoenixcontact.com/in/products/0402174>

Neutral busbar, DIN VDE 0611-4: 1991-02, color: silver



IB IL AI 4/I/4-20-ECO - Analog module

2702495

<https://www.phoenixcontact.com/in/products/2702495>



AK 4 - Connection terminal block

0404017

<https://www.phoenixcontact.com/in/products/0404017>



Connection terminal block, connection method: Screw connection, Rated cross section: 4 mm², cross section: 0.5 mm² - 6 mm², mounting: Neutral busbar, color: silver

AKG 4 GNYE - Connection terminal block

0421029

<https://www.phoenixcontact.com/in/products/0421029>



Connection terminal block, nom. voltage: 300 V, nominal current: 41 A, connection method: Screw connection, Rated cross section: 4 mm², cross section: 0.5 mm² - 6 mm², mounting: Neutral busbar, color: green-yellow

IB IL AI 4/I/4-20-ECO - Analog module

2702495

<https://www.phoenixcontact.com/in/products/2702495>



AKG 4 BK - Connection terminal block

0421032

<https://www.phoenixcontact.com/in/products/0421032>



Connection terminal block, nom. voltage: 300 V, nominal current: 41 A, connection method: Screw connection, Rated cross section: 4 mm², cross section: 0.5 mm² - 6 mm², mounting: Neutral busbar, color: black

IB IL SCN-8 - Inline connector

2726337

<https://www.phoenixcontact.com/in/products/2726337>

Connector, for digital 1, 2 or 8-channel Inline terminals



IB IL AI 4/I/4-20-ECO - Analog module

2702495

<https://www.phoenixcontact.com/in/products/2702495>



IB IL FIELD 2 - Marking field

2727501

<https://www.phoenixcontact.com/in/products/2727501>

Marking field, width: 12.2 mm



ESL 62X10 - Insert strip

0809492

<https://www.phoenixcontact.com/in/products/0809492>

Insert strip, Sheet, white, unlabeled, can be labeled with: Office printing systems, CMS-P1-PLOTTER, mounting type: insert, lettering field size: 62 x 10 mm, Number of individual labels: 72



Phoenix Contact 2024 © - all rights reserved

<https://www.phoenixcontact.com>

PHOENIX CONTACT (I) Pvt. Ltd.

A-58/2, Okhla Industrial Area, Phase - II, New Delhi-110 020

+91.1275.71420

info@phoenixcontact.co.in