

NLC-OP1-MKT - Mounting kit

2701140

<https://www.phoenixcontact.com/in/products/2701140>



Please be informed that the data shown in this PDF document is generated from our Online Catalog. Please find the complete data in the user documentation. Our General Terms of Use for Downloads are valid.

Mounting kit



Product Description

Mounting kit for Nanoline Operator Panel. Includes receptor housing installed in base unit, mounting brackets for installation in cabinet and cable to connect base unit.

Commercial Data

Item number	2701140
Packing unit	1 pc
Minimum order quantity	1 pc
Sales Key	DRA
Product Key	DRACAZ
Catalog Page	Page 471 (C-8-2015)
GTIN	4046356325271
Weight per Piece (including packing)	156 g
Weight per Piece (excluding packing)	151.6 g
Customs tariff number	85366990
Country of origin	DE

NLC-OP1-MKT - Mounting kit

2701140

<https://www.phoenixcontact.com/in/products/2701140>



Set consists of

NLC-OP1-MKT-BASE - Mounting unit

2701250

<https://www.phoenixcontact.com/in/products/2701250>

Panel to mount in base unit, RJ-45 connector for remote Operator Panel



NLC-OP1-MKT-BRACKET - Mounting bracket

2701263

<https://www.phoenixcontact.com/in/products/2701263>

Mounting bracket for remote installation of Operator Panel



NLC-OP1-MKT - Mounting kit

2701140

<https://www.phoenixcontact.com/in/products/2701140>



NLC-OP1-MKT-CBL - Cable

2701438

<https://www.phoenixcontact.com/in/products/2701438>

Cable for operator terminal



NLC-OP1-MKT - Mounting kit

2701140

<https://www.phoenixcontact.com/in/products/2701140>



Technical Data

Product properties

Product type	Mounting material
--------------	-------------------

Electrical properties

Supply

Max. current consumption	50 mA
Typical current consumption	32 mA

Dimensions

Width	76 mm
Height	31.5 mm
Depth	46 mm

Environmental and real-life conditions

Ambient conditions

Ambient temperature (operation)	0 °C ... 50 °C
Ambient temperature (storage/transport)	0 °C ... 60 °C

Mounting

Mounting type	Control cabinet door mounting
---------------	-------------------------------

NLC-OP1-MKT - Mounting kit

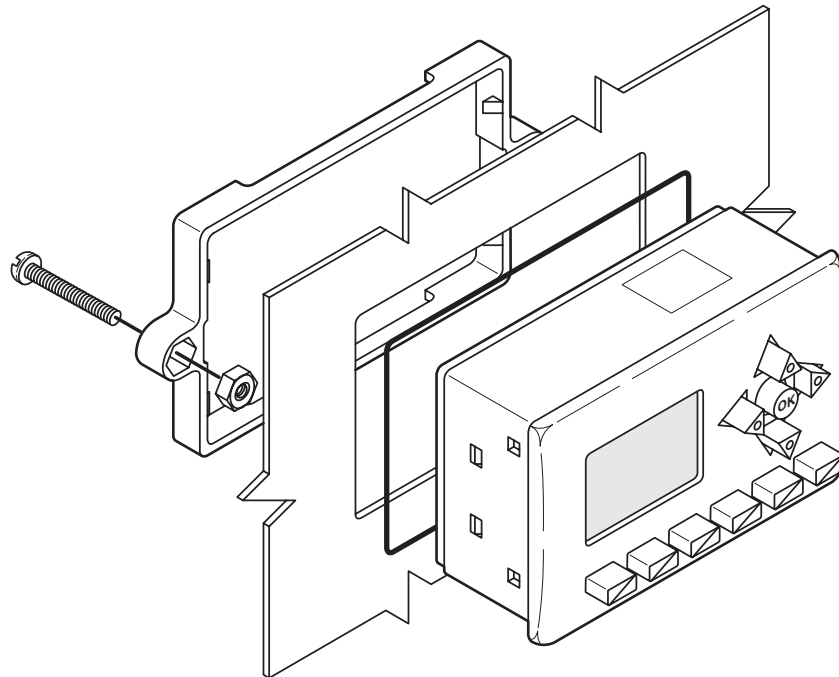
2701140

<https://www.phoenixcontact.com/in/products/2701140>



Drawings

Schematic diagram



NLC-OP1-MKT - Mounting kit



2701140

<https://www.phoenixcontact.com/in/products/2701140>

Classifications

ECLASS

ECLASS-11.0	27240692
ECLASS-12.0	27240692
ECLASS-13.0	27240692

ETIM

ETIM 8.0	EC002584
----------	----------

UNSPSC

UNSPSC 21.0	39121400
-------------	----------

NLC-OP1-MKT - Mounting kit

2701140

<https://www.phoenixcontact.com/in/products/2701140>



Environmental Product Compliance

China RoHS	Environmentally Friendly Use Period = 50 years For information on hazardous substances, refer to the manufacturer's declaration available under "Downloads"
------------	--

NLC-OP1-MKT - Mounting kit

2701140

<https://www.phoenixcontact.com/in/products/2701140>



Accessories

NLC-OP1-COVER - Cover

2701276

<https://www.phoenixcontact.com/in/products/2701276>

Replacement cover for base unit



Phoenix Contact 2023 © - all rights reserved
<https://www.phoenixcontact.com>

PHOENIX CONTACT (I) Pvt. Ltd.
A-58/2, Okhla Industrial Area, Phase - II, New Delhi-110 020

+91.1275.71420
info@phoenixcontact.co.in