

2701137

<https://www.phoenixcontact.com/in/products/2701137>

Please be informed that the data shown in this PDF document is generated from our Online Catalog. Please find the complete data in the user documentation. Our General Terms of Use for Downloads are valid.

User interface for Nanoline controllers. Mounts directly on the base unit. Can be mounted remotely using the mounting kit.



## Product Description

User interface for Nanoline controllers. 8-line, 20-character backlit display provides operation and setup information to the user. Numeric and directional buttons allow entry and selection of data into the controller. Can be mounted directly on the base unit, mounted remotely using the optional mounting kit, or used as a service tool.

## Your advantages

- Numeric (0 - 9), direction (up, down, left, right), and Enter keys can be used to input custom messages
- Displays messages prompting user input
- Can be integrated in the basic unit or installed remotely on a panel (1 m distance)
- Variable font sizes for improved legibility of custom messages (4 x 20 or 2 x 10 or a combination of the two)
- The hot-swappable design enables use as a service tool and for security
- Provides access to view all I/O points, registers, flags, timers, counters, program flags, and system flags

## Commercial Data

Item number	2701137
Packing unit	1 pc
Minimum order quantity	1 pc
Sales Key	DRA
Product Key	DRACAF
Catalog Page	Page 471 (C-8-2015)
GTIN	4046356325288
Weight per Piece (including packing)	121.7 g
Weight per Piece (excluding packing)	118.3 g
Customs tariff number	85371098
Country of origin	IN

## Technical Data

### Product properties

Product type	Operator interface
Display	
Display type	Backlit LC display, monochrome, 4 lines with 20 characters or 2 lines with 10 characters

### System properties

System requirements	
Engineering tool	nanoNavigator

### Electrical properties

Supply	
Supply voltage	Power available via logic module
Power supply connection	RJ45
Max. current consumption	50 mA
Typical current consumption	32 mA

### Interfaces

Operator Panel	
Connection method	RJ45
Transmission length	max. 1 m

### Dimensions

Width	76 mm
Height	46 mm
Depth	31.5 mm

### Environmental and real-life conditions

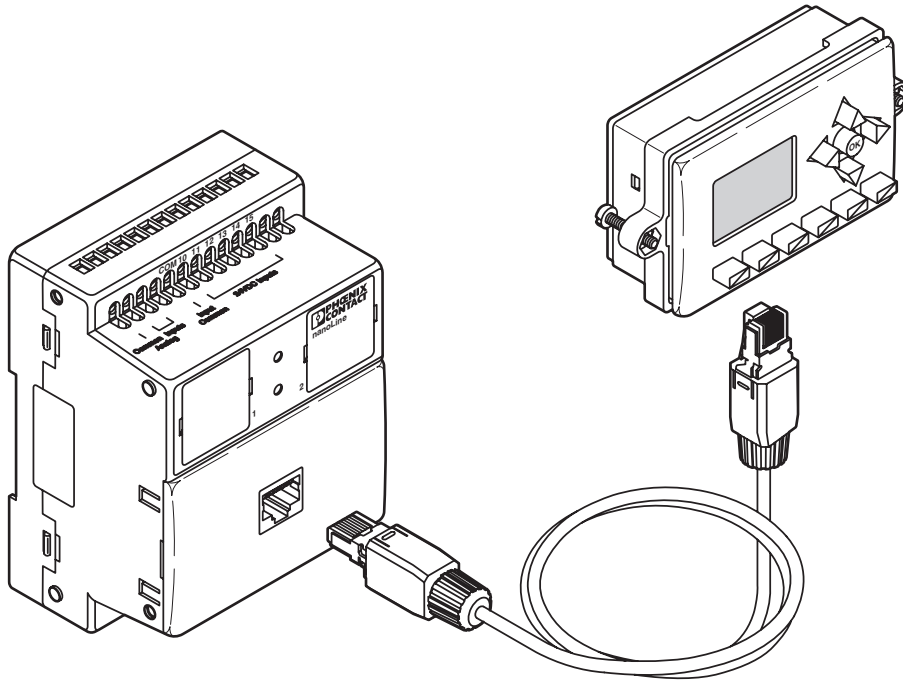
Ambient conditions	
Degree of protection	IP67/IP20
Ambient temperature (operation)	0 °C ... 50 °C
Ambient temperature (storage/transport)	0 °C ... 60 °C

### Mounting

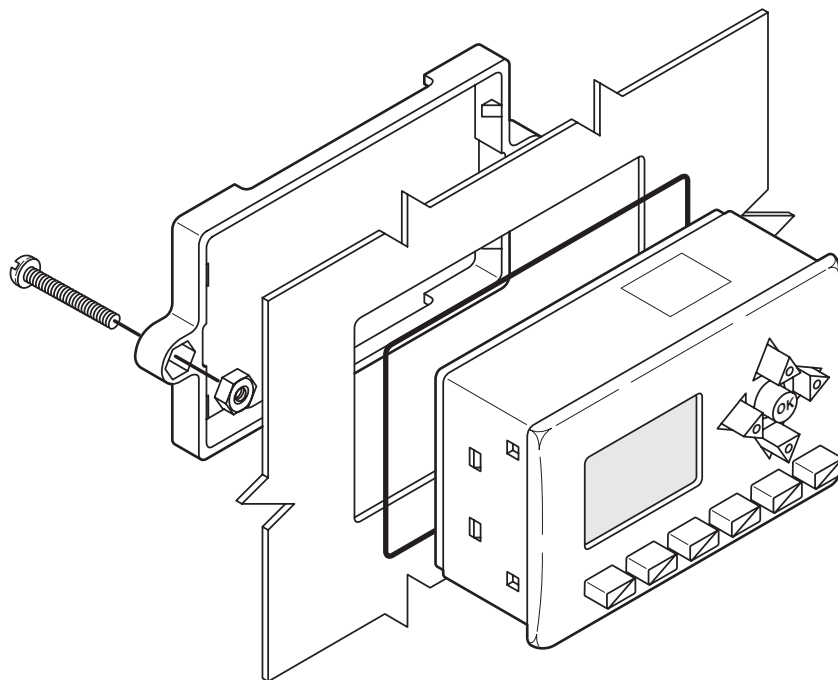
Mounting type	In logic module or with remote mounting kit
---------------	---

## Drawings

Schematic diagram



Schematic diagram



2701137

<https://www.phoenixcontact.com/in/products/2701137>

## Approvals



**EAC**

Approval ID: RU\*DE\*08.B.00529/19



**UL Listed**

Approval ID: FILE E 238705



**cUL Listed**

Approval ID: FILE E 238705

2701137

<https://www.phoenixcontact.com/in/products/2701137>

## Classifications

### ECLASS

ECLASS-11.0	27242216
ECLASS-13.0	27242216
ECLASS-12.0	27242216

### ETIM

ETIM 8.0	EC001417
----------	----------

### UNSPSC

UNSPSC 21.0	39122300
-------------	----------

# NLC-OP1-LCD-032-4X20 - Operator terminal



2701137

<https://www.phoenixcontact.com/in/products/2701137>

## Environmental Product Compliance

China RoHS	Environmentally Friendly Use Period = 50 years For information on hazardous substances, refer to the manufacturer's declaration available under "Downloads"
------------	--

# NLC-OP1-LCD-032-4X20 - Operator terminal



2701137

<https://www.phoenixcontact.com/in/products/2701137>

## Accessories

### NLC-OP1-COVER - Cover

2701276

<https://www.phoenixcontact.com/in/products/2701276>

Replacement cover for base unit



---

### NLC-OP1-MKT - Mounting kit

2701140

<https://www.phoenixcontact.com/in/products/2701140>

Mounting kit



# NLC-OP1-LCD-032-4X20 - Operator terminal

2701137

<https://www.phoenixcontact.com/in/products/2701137>



## NLC-OP1-MKT-CBL - Cable

2701438

<https://www.phoenixcontact.com/in/products/2701438>

Cable for operator terminal



---

Phoenix Contact 2023 © - all rights reserved

<https://www.phoenixcontact.com>

PHOENIX CONTACT (I) Pvt. Ltd.

A-58/2, Okhla Industrial Area, Phase - II, New Delhi-110 020

+91.1275.71420

[info@phoenixcontact.co.in](mailto:info@phoenixcontact.co.in)