

# NLC-050-024X-08I-04QRX-05A - Base unit



2701056

<https://www.phoenixcontact.com/in/products/2701056>

Please be informed that the data shown in this PDF document is generated from our Online Catalog. Please find the complete data in the user documentation. Our General Terms of Use for Downloads are valid.



24 V AC/DC Nanoline base unit. Equipped with 8 digital input and 4 relay output channels. Additional I/O channels can be added using a maximum of three I/O extension modules. Optional communication modules provide network or serial connectivity. Optional Operator Panel provides user interface. Programming is via nanoNavigator.

## Your advantages

- An operator panel can be integrated in the basic unit or installed remotely on a panel as an option
- Intuitive programming language with options for flowcharts and ladder diagrams
- Basic unit has integrated digital inputs, relay outputs, and analog inputs, including high-speed counters

## Commercial Data

Item number	2701056
Packing unit	1 pc
Minimum order quantity	1 pc
Sales Key	DRA
Product Key	DRACAA
Catalog Page	Page 463 (C-8-2015)
GTIN	4046356325356
Weight per Piece (including packing)	320.4 g
Weight per Piece (excluding packing)	320.4 g
Customs tariff number	85371098
Country of origin	IN

## Technical Data

### Product properties

Product type	Base unit
Product family	Nanoline

### System properties

#### INTERBUS-Master

Number of supported branch terminals with remote bus branch	3 (I/O modules)
---	-----------------

#### System requirements

Engineering tool	nanoNavigator 1 or 2
------------------	----------------------

### Electrical properties

#### Supply

Supply voltage	24 V AC/DC (Power available to the I/O and Communications modules)
Supply voltage range	19 V DC ... 30 V DC 19 V AC ... 26 V AC
Power supply connection	Screw connection
Max. current consumption	250 mA
Typical current consumption	150 mA (@ 24 V AC/DC)

#### Real-time clock

Realtime clock	Optional module
----------------	-----------------

### Input data

#### Digital

Input name	Digital inputs
Description of the input	EN 61131-2 type 1 NPN/PNP
Number of inputs	8
Connection method	Screw connection
Input voltage range "0" signal	0 V AC/DC ... 5 V AC/DC
Input voltage range "1" signal	15 V AC/DC ... 30 V AC/DC
Nominal input voltage $U_{IN}$	24 V AC/DC
Nominal input current at $U_{IN}$	5 mA DC (On)
Typical response time	20 ms

### Output data

#### Digital

Output name	Relay output
Output description	Relay output
Connection method	Screw connection

# NLC-050-024X-08I-04QRX-05A - Base unit



2701056

<https://www.phoenixcontact.com/in/products/2701056>

Number of outputs	4
Protective circuit	Short-circuit and overload protection
Maximum output current per channel	5 A
Maximum output current per module / terminal block	20 A
Maximum output current per module	5 A
Nominal load, ohmic	600 W (@ 24 ohms)
Maximum operating frequency with ohmic nominal load	0.5 Hz

## Connection data

Connection method	Screw connection
-------------------	------------------

## Interfaces

### Operator Panel

Connection method	RJ45 / COMBICON
-------------------	-----------------

### RS-232

Connection method	Slot 1
-------------------	--------

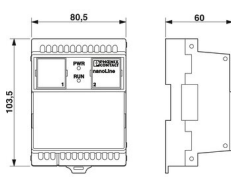
### USB

Connection method	Slot 1
-------------------	--------

### Realtime Clock

Connection method	Slot 2
-------------------	--------

## Dimensions

Dimensional drawing	
Width	80.5 mm
Height	103.5 mm
Depth	60 mm

## Material specifications

Color	black
-------	-------

## Environmental and real-life conditions

### Ambient conditions

Degree of protection	IP20
Ambient temperature (operation)	-25 °C ... 60 °C
Ambient temperature (storage/transport)	-25 °C ... 85 °C
Permissible humidity (operation)	90 %
Permissible humidity (storage/transport)	90 %

# NLC-050-024X-08I-04QRX-05A - Base unit



2701056

<https://www.phoenixcontact.com/in/products/2701056>

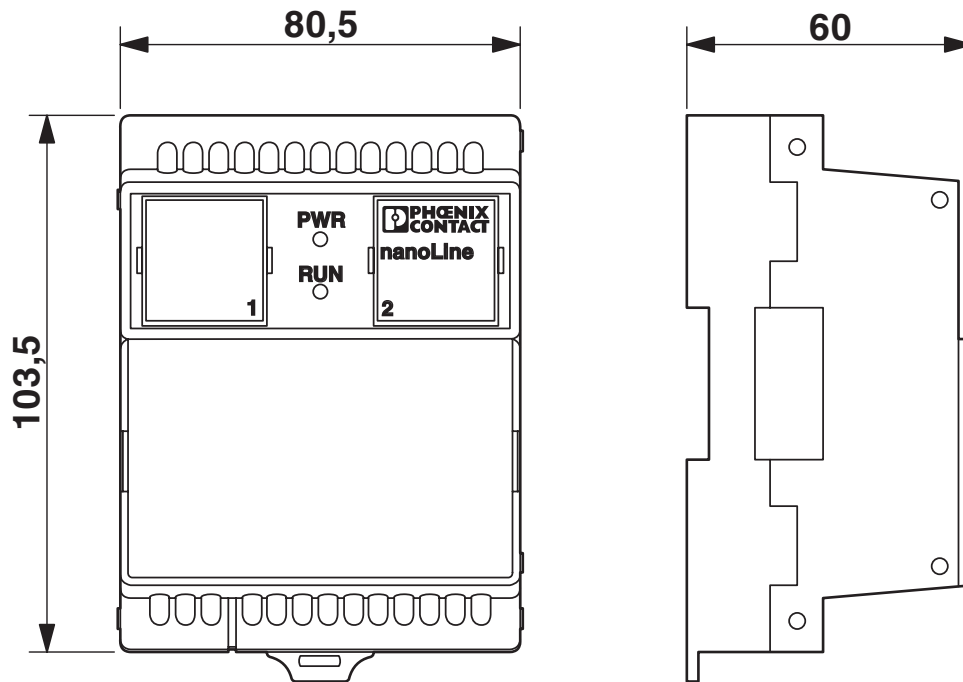
## Mounting

Mounting type

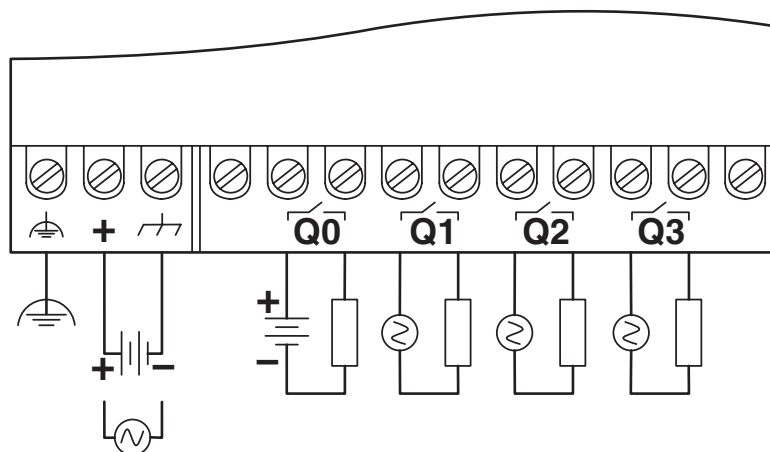
DIN rail mounting

Drawings

Dimensional drawing



Connection diagram



# NLC-050-024X-08I-04QRX-05A - Base unit



2701056

<https://www.phoenixcontact.com/in/products/2701056>

## Approvals



**UL Listed**

Approval ID: FILE E 238705



**cUL Listed**

Approval ID: FILE E 238705

2701056

<https://www.phoenixcontact.com/in/products/2701056>

## Classifications

### ECLASS

ECLASS-11.0	27242216
ECLASS-12.0	27242216
ECLASS-13.0	27242216

### ETIM

ETIM 8.0	EC001417
----------	----------

### UNSPSC

UNSPSC 21.0	39122300
-------------	----------

2701056

<https://www.phoenixcontact.com/in/products/2701056>

## Environmental Product Compliance

REACH SVHC	Lead 7439-92-1
China RoHS	Environmentally Friendly Use Period = 50 years
	For information on hazardous substances, refer to the manufacturer's declaration available under "Downloads"



# NLC-050-024X-08I-04QRX-05A - Base unit



2701056

<https://www.phoenixcontact.com/in/products/2701056>

## Accessories

### NLC-MOD-CAP-PXC - Covering hood

2701292

<https://www.phoenixcontact.com/in/products/2701292>

Replacement cover for slot 2 in base unit.



---

### NLC-MOD-CAP - Covering hood

2701289

<https://www.phoenixcontact.com/in/products/2701289>

Replacement cover for slot 1 in base unit.



# NLC-050-024X-08I-04QRX-05A - Base unit



2701056

<https://www.phoenixcontact.com/in/products/2701056>

## NLC-IO-06I-04QTP-01A - I/O extension module

2701072

<https://www.phoenixcontact.com/in/products/2701072>



I/O extension module for use with Nanoline base unit. Equipped with 6 digital input and 4 PNP digital output channels. A maximum of three I/O extension modules can be attached to a base unit.

---

## NLC-IO-06I-04QTN-01A - I/O extension module

2701085

<https://www.phoenixcontact.com/in/products/2701085>



I/O extension module for use with Nanoline base unit. Equipped with 6 digital input and 4 NPN digital output channels. A maximum of three I/O extension modules can be attached to a base unit.

## NLC-050-024X-08I-04QRX-05A - Base unit

2701056

<https://www.phoenixcontact.com/in/products/2701056>



## NLC-IO-03I-04QRD-05A - I/O extension module

2701328

<https://www.phoenixcontact.com/in/products/2701328>



I/O extension module for use with Nanoline 24 V DC base unit. Equipped with 3 digital input and 4, 5 A relay output channels. A maximum of three I/O extension modules can be attached to a base unit.

---

## NLC-IO-4AI - I/O extension module

2701098

<https://www.phoenixcontact.com/in/products/2701098>



I/O extension module for use with Nanoline base unit. Equipped with 4 analog input channels. A maximum of three I/O extension modules can be attached to a base unit.

# NLC-050-024X-08I-04QRX-05A - Base unit



2701056

<https://www.phoenixcontact.com/in/products/2701056>

## NLC-OP1-LCD-032-4X20 - Operator terminal

2701137

<https://www.phoenixcontact.com/in/products/2701137>

User interface for Nanoline controllers. Mounts directly on the base unit. Can be mounted remotely using the mounting kit.



---

## NLC-OP1-MKT - Mounting kit

2701140

<https://www.phoenixcontact.com/in/products/2701140>

Mounting kit



# NLC-050-024X-08I-04QRX-05A - Base unit



2701056

<https://www.phoenixcontact.com/in/products/2701056>

## NLC-MOD-RS232 - nanoLC module

2701179

<https://www.phoenixcontact.com/in/products/2701179>

RS-232 connection for data transfer or software configuration



---

## NLC-MOD-RS485 - Option module

2701182

<https://www.phoenixcontact.com/in/products/2701182>

RS-485 connection for data transfer or software configuration



# NLC-050-024X-08I-04QRX-05A - Base unit



2701056

<https://www.phoenixcontact.com/in/products/2701056>

## NLC-MOD-USB - nanoLC module

2701195

<https://www.phoenixcontact.com/in/products/2701195>

Serial connection to PC's USB port for data transfer or software configuration



---

## NLC-MOD-RTC - Option module

2701153

<https://www.phoenixcontact.com/in/products/2701153>

Real-time clock



# NLC-050-024X-08I-04QRX-05A - Base unit



2701056

<https://www.phoenixcontact.com/in/products/2701056>

## NLC-COM-ENET-MB1 - Communication module

2701124

<https://www.phoenixcontact.com/in/products/2701124>



Ethernet communication module. Allows the Nanoline controller to be connected to an Ethernet, operating as a Modbus TCP Server.

---

## NLC-COM-GSM - Communication module

2701344

<https://www.phoenixcontact.com/in/products/2701344>



GSM communication module. Allows SMS messaging to and from the Nanoline controller when connected to the GSM network.

# NLC-050-024X-08I-04QRX-05A - Base unit

2701056

<https://www.phoenixcontact.com/in/products/2701056>



## NLC-PC/SERIAL-CBL 2M - Cable

2701234

<https://www.phoenixcontact.com/in/products/2701234>

**Cable**, serial, 9-pos. D-SUB to RJ11/12



---

## NLC-PC/USB-CBL 2M - Cable

2701247

<https://www.phoenixcontact.com/in/products/2701247>

**Cable**, serial



---

Phoenix Contact 2023 © - all rights reserved  
<https://www.phoenixcontact.com>

PHOENIX CONTACT (I) Pvt. Ltd.  
A-58/2, Okhla Industrial Area, Phase - II, New Delhi-110 020

+91.1275.71420  
[info@phoenixcontact.co.in](mailto:info@phoenixcontact.co.in)