

PSD-S CE-SM SPRING - Connection element



2700091

<https://www.phoenixcontact.com/in/products/2700091>

Please be informed that the data shown in this PDF document is generated from our online catalog. Please find the complete data in the user documentation. Our general terms of use for downloads are valid.

Connection element with spring-cage terminal blocks for base mounting



Commercial data

Item number	2700091
Packing unit	1 pc
Minimum order quantity	1 pc
Sales key	DRL
Product key	DRL116
Catalog page	Page 520 (C-6-2019)
GTIN	4046356490146
Weight per piece (including packing)	91.1 g
Weight per piece (excluding packing)	86 g
Customs tariff number	85319000
Country of origin	DE

PSD-S CE-SM SPRING - Connection element



2700091

<https://www.phoenixcontact.com/in/products/2700091>

Technical data

Product properties

Product type	Assembly element
Scope of delivery	End cover and seal
	End cover and seal
Number of mountable signal elements	max. 5

Electrical properties

General

Nominal input voltage range	12 V AC/DC ... 240 V AC/DC
-----------------------------	----------------------------

Connection data

without ferrule

Connection method	Spring-cage connection
Conductor cross section, flexible	0.5 mm ² ... 1.5 mm ²
Conductor cross section, flexible [AWG]	... 15
Stripping length	7 mm

With ferrule

Connection method	Spring-cage connection
Conductor cross section, flexible	0.25 mm ² ... 1.5 mm ²
Conductor cross section, flexible [AWG]	... 15
Stripping length	7 mm

solid

Connection method	Spring-cage connection
Conductor cross section, rigid	0.5 mm ² ... 1.5 mm ²
Stripping length	7 mm

Dimensions

Dimensional drawing	
Height	27 mm
Diameter	69 mm

Material specifications

PSD-S CE-SM SPRING - Connection element



2700091

<https://www.phoenixcontact.com/in/products/2700091>

Color	black
Material	PA-GF

Environmental and real-life conditions

Ambient conditions

Degree of protection	IP65, when installed
Ambient temperature (operation)	-30 °C ... 50 °C

EMC data

Electromagnetic compatibility	Conformance with EMC directive 2004/108/EC and for low-voltage directive 2006/95/EC
-------------------------------	---

Mounting

Mounting type	Base mounting
Assembly note	Rubber seal pre-installed for each element
Mounting position	any

PSD-S CE-SM SPRING - Connection element

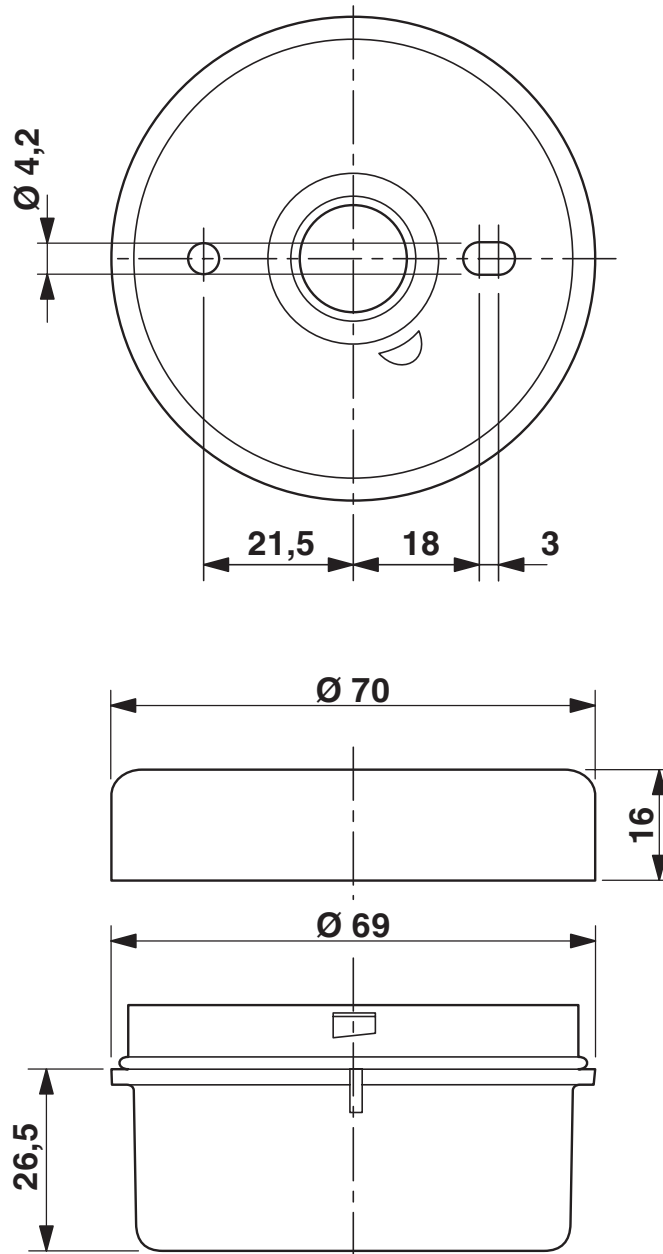
2700091

<https://www.phoenixcontact.com/in/products/2700091>



Drawings

Dimensional drawing



PSD-S CE-SM SPRING - Connection element



2700091

<https://www.phoenixcontact.com/in/products/2700091>

Approvals

To download certificates, visit the product detail page: <https://www.phoenixcontact.com/in/products/2700091>



EAC

Approval ID: TR TS_D_03484



UL Listed

Approval ID: FILE E 123528



cUL Listed

Approval ID: FILE E 123528

cULus Listed

PSD-S CE-SM SPRING - Connection element



2700091

<https://www.phoenixcontact.com/in/products/2700091>

Classifications

ECLASS

ECLASS-11.0	27371232
ECLASS-13.0	27371232
ECLASS-12.0	27371232

ETIM

ETIM 9.0	EC001152
----------	----------

UNSPSC

UNSPSC 21.0	46171600
-------------	----------

PSD-S CE-SM SPRING - Connection element



2700091

<https://www.phoenixcontact.com/in/products/2700091>

Environmental product compliance

EU RoHS

Fulfills EU RoHS substance requirements	Yes, No exemptions
---	--------------------

China RoHS

Environment friendly use period (EFUP)	EFUP-E
	No hazardous substances above the limits

EU REACH SVHC

REACH candidate substance (CAS No.)	No substance above 0.1 wt%
-------------------------------------	----------------------------

PSD-S CE-SM SPRING - Connection element

2700091

<https://www.phoenixcontact.com/in/products/2700091>

Accessories

PSD-S ME OB - Mounting material

2700153

<https://www.phoenixcontact.com/in/products/2700153>



Outlet box with lateral cable entry for floor and base mounting

PSD-S ME BR-SM - Mounting bracket

2700144

<https://www.phoenixcontact.com/in/products/2700144>



Angle for floor mounting, black

PSD-S CE-SM SPRING - Connection element



2700091

<https://www.phoenixcontact.com/in/products/2700091>

PSD-S ME BR-SM/1S - Mounting bracket

2700160

<https://www.phoenixcontact.com/in/products/2700160>

Angle for single-sided floor mounting, concealed cable routing, black



PSD-S ME BR-SM/2S - Mounting bracket

2700161

<https://www.phoenixcontact.com/in/products/2700161>

Angle for two-sided floor mounting, concealed cable routing, black



Phoenix Contact 2024 © - all rights reserved
<https://www.phoenixcontact.com>

PHOENIX CONTACT (I) Pvt. Ltd.
A-58/2, Okhla Industrial Area, Phase - II, New Delhi-110 020

+91.1275.71420
info@phoenixcontact.co.in