

# AXL F RS UNI 1H - Communication module



2688666

<https://www.phoenixcontact.com/in/products/2688666>

Please be informed that the data shown in this PDF document is generated from our Online Catalog. Please find the complete data in the user documentation. Our General Terms of Use for Downloads are valid.



Axioline F, Communication module, interface: RS-232, RS-485, RS-422, transmission speed in the local bus: 100 Mbps, degree of protection: IP20, including bus base module and Axioline F connectors

## Product Description

The module is designed for use within an Axioline F station. The module is used to operate standard I/O devices with serial interfaces on a bus system.

## Your advantages

- A serial input and output channel in RS-232, RS-422, and RS-485 format
- Various protocols supported
- Transmission speed can be set up to 250000 bps
- Parameterization via the PDI channel
- Device rating plate stored

## Commercial Data

Item number	2688666
Packing unit	1 pc
Minimum order quantity	1 pc
Sales Key	DRI
Product Key	DRI251
Catalog Page	Page 88 (C-6-2019)
GTIN	4046356730860
Weight per Piece (including packing)	185 g
Weight per Piece (excluding packing)	182 g
Customs tariff number	85176200
Country of origin	DE

# AXL F RS UNI 1H - Communication module

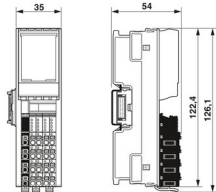


2688666

<https://www.phoenixcontact.com/in/products/2688666>

## Technical Data

### Dimensions

Dimensional drawing	
Width	35 mm
Height	126.1 mm
Depth	54 mm
Note on dimensions	The depth applies when a TH 35-7.5 DIN rail is used (in accordance with EN 60715).

### Material specifications

Color	traffic grey A RAL 7042
-------	-------------------------

### Interfaces

#### Axioline F local bus

Number of interfaces	2
Connection method	Bus base module
Transmission speed	100 Mbps

#### RS-232, RS-485, RS-422

Number of interfaces	1
Connection method	Push-in connection
Transmission speed	110 bps ... 250 kbps (can be parameterized)
Transmission physics	Copper
Protocols supported	Transparent, end-to-end, XON/XOFF, Modbus/RTU (master support)
Termination resistor	active, integrated
Data bits	5 ... 8
Stop bits	1 or 2
Input buffer	4 kByte
Output buffer	1 kByte

### System properties

#### Module

Input address area	20 Byte
Output address area	20 Byte
Required parameter data	14 Byte
Required configuration data	7 Byte

2688666

<https://www.phoenixcontact.com/in/products/2688666>

## Product properties

Type	block modular
Product type	I/O component
Product family	Axioline F
Mounting position	any (no temperature derating)
Scope of delivery	including bus base module and Axioline F connectors

## Insulation characteristics

Overvoltage category	II (IEC 60664-1, EN 60664-1)
Pollution degree	2 (IEC 60664-1, EN 60664-1)

## Electrical properties

### Potentials: Axioline F local bus supply ( $U_{Bus}$ )

Supply voltage	5 V DC (via bus base module)
Current draw	max. 240 mA
	typ. 200 mA
Power consumption	max. 1.2 W
	typ. 1 W

## Connection data

### Connection technology

Connection name	Axioline F connector
Note on the connection method	Please observe the information provided on conductor cross sections in the "Axioline F: system and installation" user manual.

### Conductor connection

Connection method	Push-in connection
Conductor cross section rigid	0.2 mm <sup>2</sup> ... 1.5 mm <sup>2</sup>
Conductor cross section flexible	0.2 mm <sup>2</sup> ... 1.5 mm <sup>2</sup>
Conductor cross section AWG	24 ... 16
Stripping length	8 mm

### Axioline F connector

Connection method	Push-in connection
Note on the connection method	Please observe the information provided on conductor cross sections in the "Axioline F: system and installation" user manual.
Conductor cross section, rigid	0.2 mm <sup>2</sup> ... 1.5 mm <sup>2</sup>
Conductor cross section, flexible	0.2 mm <sup>2</sup> ... 1.5 mm <sup>2</sup>
Conductor cross section AWG	24 ... 16
Stripping length	8 mm

## Environmental and real-life conditions

### Ambient conditions

Ambient temperature (operation)	-25 °C ... 60 °C
---------------------------------	------------------

# AXL F RS UNI 1H - Communication module



2688666

<https://www.phoenixcontact.com/in/products/2688666>

Degree of protection	IP20
Air pressure (operation)	70 kPa ... 106 kPa (up to 3000 m above sea level)
Air pressure (storage/transport)	70 kPa ... 106 kPa (up to 3000 m above sea level)
Ambient temperature (storage/transport)	-40 °C ... 85 °C
Permissible humidity (operation)	5 % ... 95 % (non-condensing)
Permissible humidity (storage/transport)	5 % ... 95 % (non-condensing)

## Standards and regulations

Protection class	III (IEC 61140, EN 61140, VDE 0140-1)
------------------	---------------------------------------

## Mounting

Mounting type	DIN rail mounting
Mounting position	any (no temperature derating)

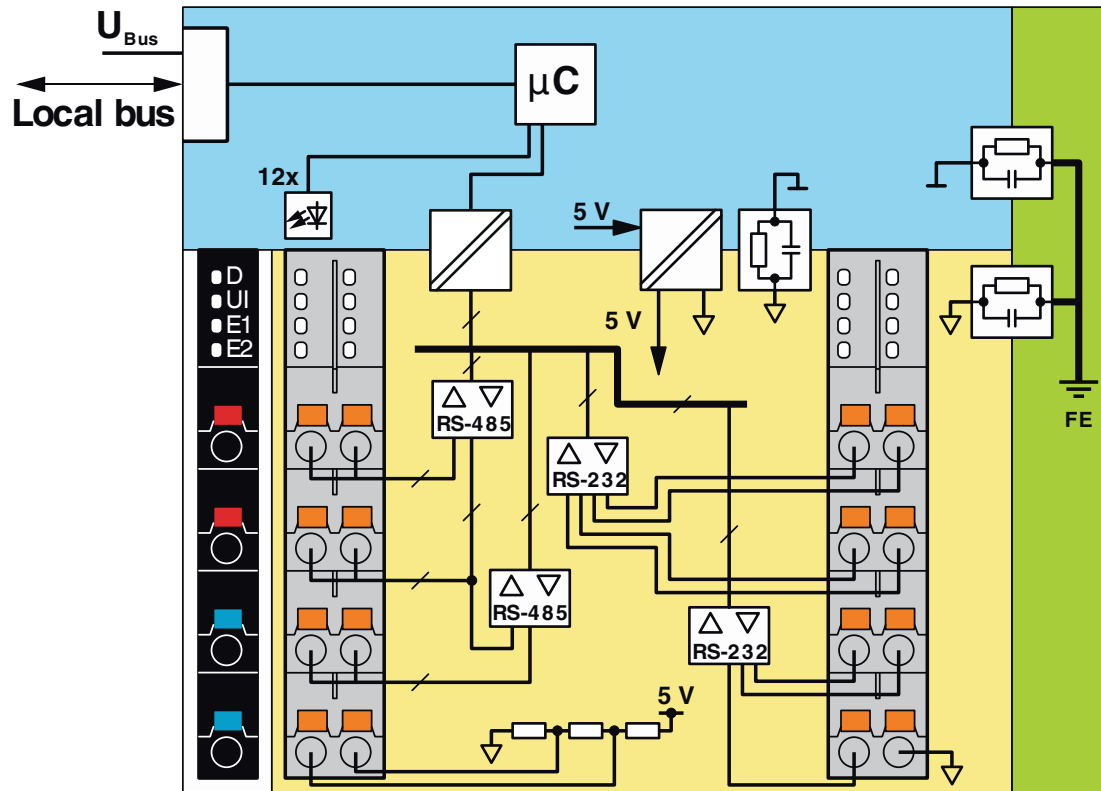
# AXL F RS UNI 1H - Communication module

2688666

<https://www.phoenixcontact.com/in/products/2688666>

## Drawings

Block diagram



Internal wiring of the terminal points

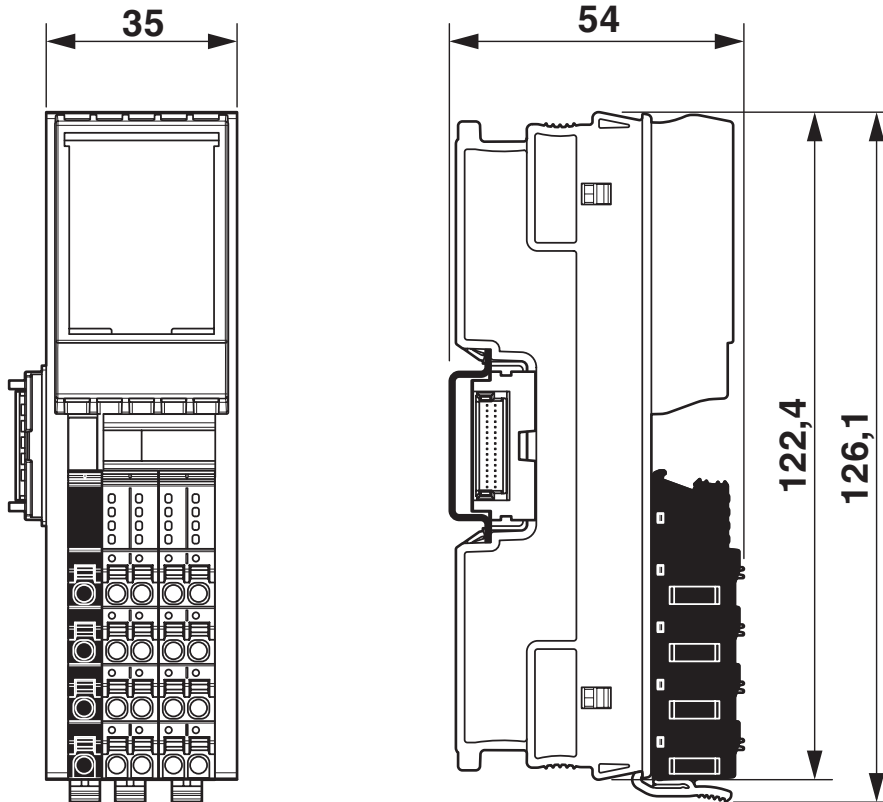
# AXL F RS UNI 1H - Communication module



2688666

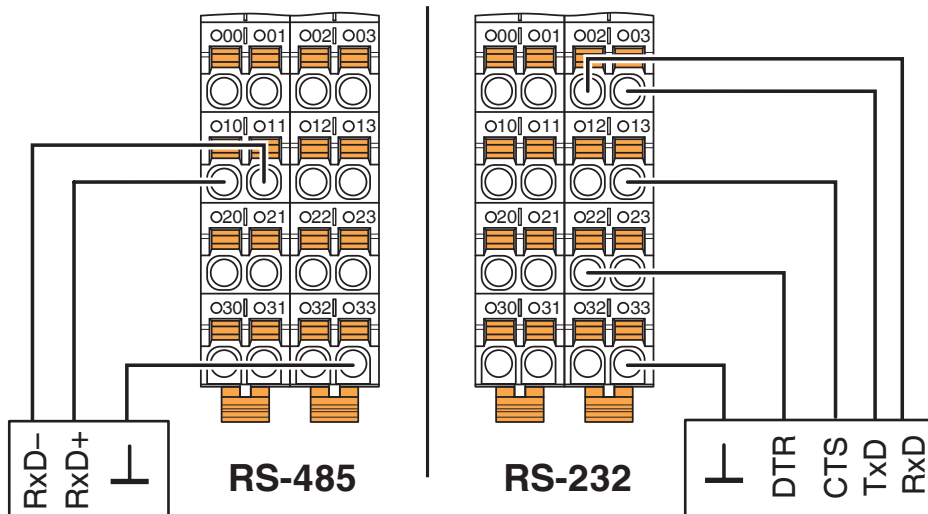
<https://www.phoenixcontact.com/in/products/2688666>

Dimensional drawing



Dimensions

Connection diagram



# AXL F RS UNI 1H - Communication module



2688666

<https://www.phoenixcontact.com/in/products/2688666>

## Approvals



**DNV GL**

Approval ID: TAA00000DF



**LR**

Approval ID: LR2001902TA



**BV**

Approval ID: 36433/B4 BV



**PRS**

Approval ID: TE/1020/880590/21



**UL Listed**

Approval ID: FILE E 238705



**cUL Listed**

Approval ID: FILE E 238705



**RINA**

Approval ID: ELE283021XG



**EAC**

Approval ID: TR\_TS\_D\_01831-19



**EAC**

Approval ID: TR\_TS\_D\_01831-19



**cUL Listed**

Approval ID: FILE E 238705



**UL Listed**

Approval ID: FILE E 238705



**BV**

Approval ID: 36433/B4 BV

# AXL F RS UNI 1H - Communication module



2688666

<https://www.phoenixcontact.com/in/products/2688666>



**DNV GL**

Approval ID: TAA00000DF



**PRS**

Approval ID: TE/1020/880590/21



**RINA**

Approval ID: ELE283021XG



**LR**

Approval ID: LR2001902TA



# AXL F RS UNI 1H - Communication module



2688666

<https://www.phoenixcontact.com/in/products/2688666>

## Classifications

### ECLASS

ECLASS-11.0	27242608
ECLASS-12.0	27242608
ECLASS-13.0	27242608

### ETIM

ETIM 8.0	EC001604
----------	----------

### UNSPSC

UNSPSC 21.0	32151600
-------------	----------

# AXL F RS UNI 1H - Communication module



2688666

<https://www.phoenixcontact.com/in/products/2688666>

## Environmental Product Compliance

REACH SVHC	Lead 7439-92-1
China RoHS	Environmentally Friendly Use Period = 50 years
	For information on hazardous substances, refer to the manufacturer's declaration available under "Downloads"

# AXL F RS UNI 1H - Communication module



2688666

<https://www.phoenixcontact.com/in/products/2688666>

## Accessories

### AXL F BS H - Bus connector

2700992

<https://www.phoenixcontact.com/in/products/2700992>

Axioline F bus base module for housing type H



---

### ZB 20,3 AXL UNPRINTED - Zack marker strip

0829579

<https://www.phoenixcontact.com/in/products/0829579>



Zack marker strip for Axioline F (device labeling), in 2 x 20.3 mm pitch, unprinted, 25-section, for individual labeling with B-STIFT 0.8, X-PEN, or CMS-P1-PLOTTER

# AXL F RS UNI 1H - Communication module

2688666

<https://www.phoenixcontact.com/in/products/2688666>



## ZBF 10/5,8 AXL UNPRINTED - Zack Marker strip, flat

0829580

<https://www.phoenixcontact.com/in/products/0829580>



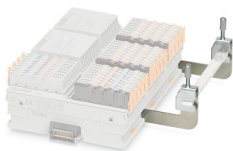
Zack Marker strip, flat, Strip, white, unlabeled, can be labeled with: PLOTMARK, CMS-P1-PLOTTER, mounting type: snapped, for terminal block width: 10.15 mm, lettering field size: 4 x 10, 15 x 5 mm, 1 x 5.8 x 5 mm, Number of individual labels: 50

---

## AXL SHIELD SET - Shield connection

2700518

<https://www.phoenixcontact.com/in/products/2700518>



Axiline shield connection set (contains 2 shield bus holders and 2 SK 5 shield connection clamps)

# AXL F RS UNI 1H - Communication module



2688666

<https://www.phoenixcontact.com/in/products/2688666>

## EMT (35X28)R - Insert label

0801602

<https://www.phoenixcontact.com/in/products/0801602>



Insert label, for marking the Axioline F series from Phoenix Contact, Roll, white, unlabeled, can be labeled with: THERMOMARK E.300 (D)/600 (D), THERMOMARK ROLL 2.0, THERMOMARK ROLL, THERMOMARK ROLL X1, THERMOMARK ROLLMaster 300/600, THERMOMARK X1.2, mounting type: insert, lettering field size: 35 x 28 mm, Number of individual labels: 500

---

Phoenix Contact 2023 © - all rights reserved

<https://www.phoenixcontact.com>

PHOENIX CONTACT (I) Pvt. Ltd.

A-58/2, Okhla Industrial Area, Phase - II, New Delhi-110 020

+91.1275.71420

[info@phoenixcontact.co.in](mailto:info@phoenixcontact.co.in)