

AXL F UTH8 1F - Temperature module



2688417

<https://www.phoenixcontact.com/in/products/2688417>

Please be informed that the data shown in this PDF document is generated from our online catalog. Please find the complete data in the user documentation. Our general terms of use for downloads are valid.



Axioline F, Temperature recording module, Analog inputs: 8 (8 inputs for thermocouples or linear voltage, plus 1 input -5 V to +5 V), connection technology: 2-conductor (shielded, twisted pair), transmission speed in the local bus: 100 Mbps, degree of protection: IP20, including bus base module and Axioline F connectors

Product description

The module is designed for use within an Axioline F station. It is used to acquire signals from standard thermocouples in industrial applications. The module supports various types of thermocouple conforming to DIN EN 60584-1 and DIN 46710 as well as linear voltages from -100 mV to +100 mV. It also offers a voltage input from -5 V to +5 V. Heating currents can be monitored here, for example, using a measuring transducer. The four Pt 100 inputs (CJ1 ... CJ4) can each be used as a sensor input or as an external cold junction.

Your advantages

- 8 analog input channels for the connection of thermocouples or linear voltages from -100 mV to +100 mV
- 1 analog input channel for the connection of voltages from -5 V to +5 V
- Connection of sensors in 2-conductor technology
- Internal detection and compensation of cold junction temperature (can be parameterized)
- External connection of Pt 100 cold junction sensors possible
- Easy to use due to internal linearization of the sensor characteristic curves
- Low tolerances (typically $\pm 0.01\%$ for sensor type K)
- High temperature stability (typically 5 ppm/K)
- High resistance to electromagnetic interference (Class A)
- "Channel Scout" function
- Device rating plate stored
- Installation monitoring with indication via diagnostic LED for each channel

Commercial data

Item number	2688417
Packing unit	1 pc
Minimum order quantity	1 pc
Sales key	DRI
Product key	DRI243
Catalog page	Page 87 (C-6-2019)
GTIN	4046356640923
Weight per piece (including packing)	271.3 g
Weight per piece (excluding packing)	144 g
Customs tariff number	85389091
Country of origin	DE

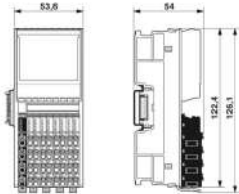
AXL F UTH8 1F - Temperature module

2688417

<https://www.phoenixcontact.com/in/products/2688417>

Technical data

Dimensions

Dimensional drawing	
Width	53.6 mm
Height	126.1 mm
Depth	54 mm
Note on dimensions	The depth applies when a TH 35-7.5 DIN rail is used (in accordance with EN 60715).

Interfaces

Axioline F local bus

Number of interfaces	2
Connection method	Bus base module
Transmission speed	100 Mbps

System properties

Module

Input address area	18 Byte
Output address area	18 Byte
Required parameter data	27 Byte (20 bytes for configuration with GSD AXL UTH 8 (packed))
Required configuration data	7 Byte

Input data

Analog

Input name	Analog inputs
Description of the input	Inputs for thermocouples or linear voltage
Number of inputs	8 + 1 (8 inputs for thermocouples or linear voltage, plus 1 input - 5 V to +5 V)
Connection method	Push-in connection
Connection technology	2-conductor (shielded, twisted pair)
A/D converter resolution	24 bit
Sensor types (RTD) that can be used	Pt 100 (4 external cold junctions, can also be used as a sensor input)
Sensor types that can be used (TC)	U, T, L, J, E, K, N, S, R, B, C, W, HK
Measuring principle	Sigma/Delta process

AXL F UTH8 1F - Temperature module



2688417

<https://www.phoenixcontact.com/in/products/2688417>

Measured value representation	16 bits (15 bits + sign bit)
Input filter time	40 ms
	60 ms
	100 ms
	120 ms (adjustable)
Protective circuit	Short-circuit protection, overload protection of the inputs
	Transient protection of inputs

Product properties

Product type	I/O component
Product family	Axioline F
Type	block modular
Mounting position	any (no temperature derating; Parameterize the mounting position using the object 0080 _{hex} ParaTable!)
Scope of delivery	including bus base module and Axioline F connectors

Insulation characteristics

Overvoltage category	II (IEC 60664-1, EN 60664-1)
Pollution degree	2 (IEC 60664-1, EN 60664-1)

Electrical properties

Potentials

Power consumption	typ. 1.63 W (entire device)
	max. 2.58 W (entire device)

Potentials: Axioline F local bus supply (U_{BUS})

Supply voltage	5 V DC (via bus base module)
Current draw	max. 180 mA
	typ. 115 mA
Power consumption	max. 0.9 W
	typ. 0.55 W

Potentials: Supply for analog modules (U_A)

Supply voltage	24 V DC
Supply voltage range	19.2 V DC ... 30 V DC (including all tolerances, including ripple)
Current draw	max. 70 mA
	typ. 45.3 mA
Power consumption	max. 1.68 W
Protective circuit	Surge protection; electronic (35 V, 0.5 s)
	Reverse polarity protection; Polarity protection diode
	Transient protection; Suppressor diode

Electrical isolation/isolation of the voltage ranges

Test voltage: 5 V supply of the local bus (U_{BUS}) / 24 V supply (I/Os)	500 V AC, 50 Hz, 1 min.
--	-------------------------

AXL F UTH8 1F - Temperature module



2688417

<https://www.phoenixcontact.com/in/products/2688417>

Test voltage: 5 V supply of the local bus (U_{BUS}) / functional ground	500 V AC, 50 Hz, 1 min.
Test voltage: 24 V supply (I/O) / functional ground	500 V AC, 50 Hz, 1 min.

Connection data

Connection technology

Connection name	Axioline F connector
Note on the connection method	Please observe the information provided on conductor cross sections in the "Axioline F: system and installation" user manual.

Conductor connection

Connection method	Push-in connection
Conductor cross section rigid	0.2 mm ² ... 1.5 mm ²
Conductor cross section flexible	0.2 mm ² ... 1.5 mm ²
Conductor cross section AWG	24 ... 16
Stripping length	8 mm

Axioline F connector

Connection method	Push-in connection
Note on the connection method	Please observe the information provided on conductor cross sections in the "Axioline F: system and installation" user manual.
Conductor cross section, rigid	0.2 mm ² ... 1.5 mm ²
Conductor cross section, flexible	0.2 mm ² ... 1.5 mm ²
Conductor cross section AWG	24 ... 16
Stripping length	8 mm

Environmental and real-life conditions

Ambient conditions

Ambient temperature (operation)	-25 °C ... 60 °C
Degree of protection	IP20
Air pressure (operation)	70 kPa ... 106 kPa (up to 3000 m above sea level)
Air pressure (storage/transport)	70 kPa ... 106 kPa (up to 3000 m above sea level)
Ambient temperature (storage/transport)	-40 °C ... 85 °C
Permissible humidity (operation)	5 % ... 95 % (non-condensing)
Permissible humidity (storage/transport)	5 % ... 95 % (non-condensing)

Standards and regulations

Protection class	III (IEC 61140, EN 61140, VDE 0140-1)
------------------	---------------------------------------

Mounting

Mounting type	DIN rail mounting
Mounting position	any (no temperature derating; Parameterize the mounting position using the object 0080 _{hex} ParaTable!)

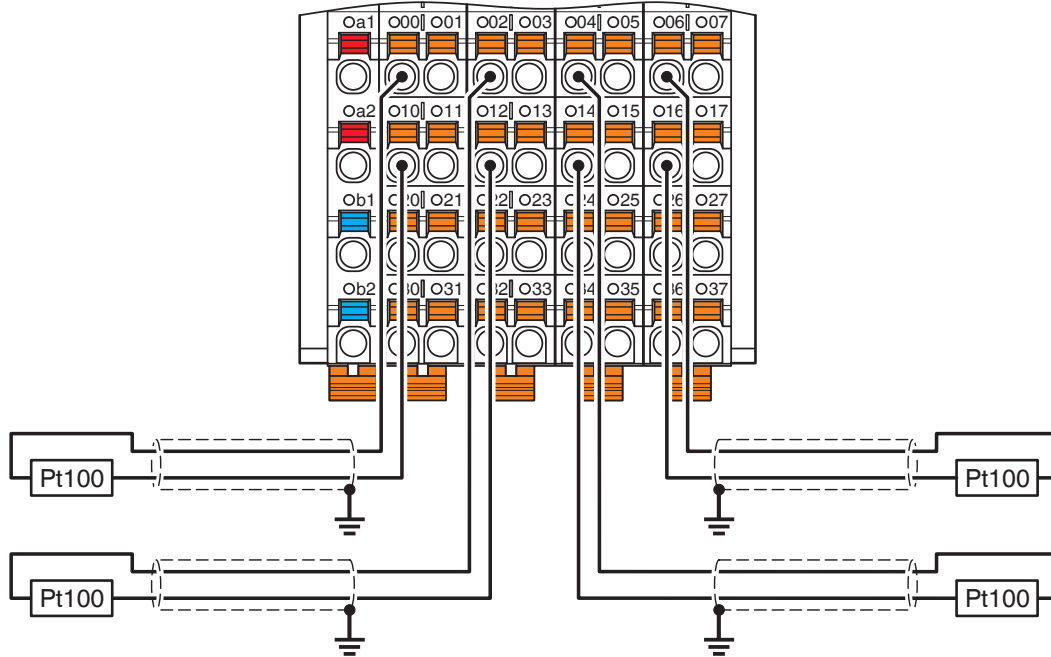
AXL F UTH8 1F - Temperature module

2688417

<https://www.phoenixcontact.com/in/products/2688417>

Drawings

Connection diagram



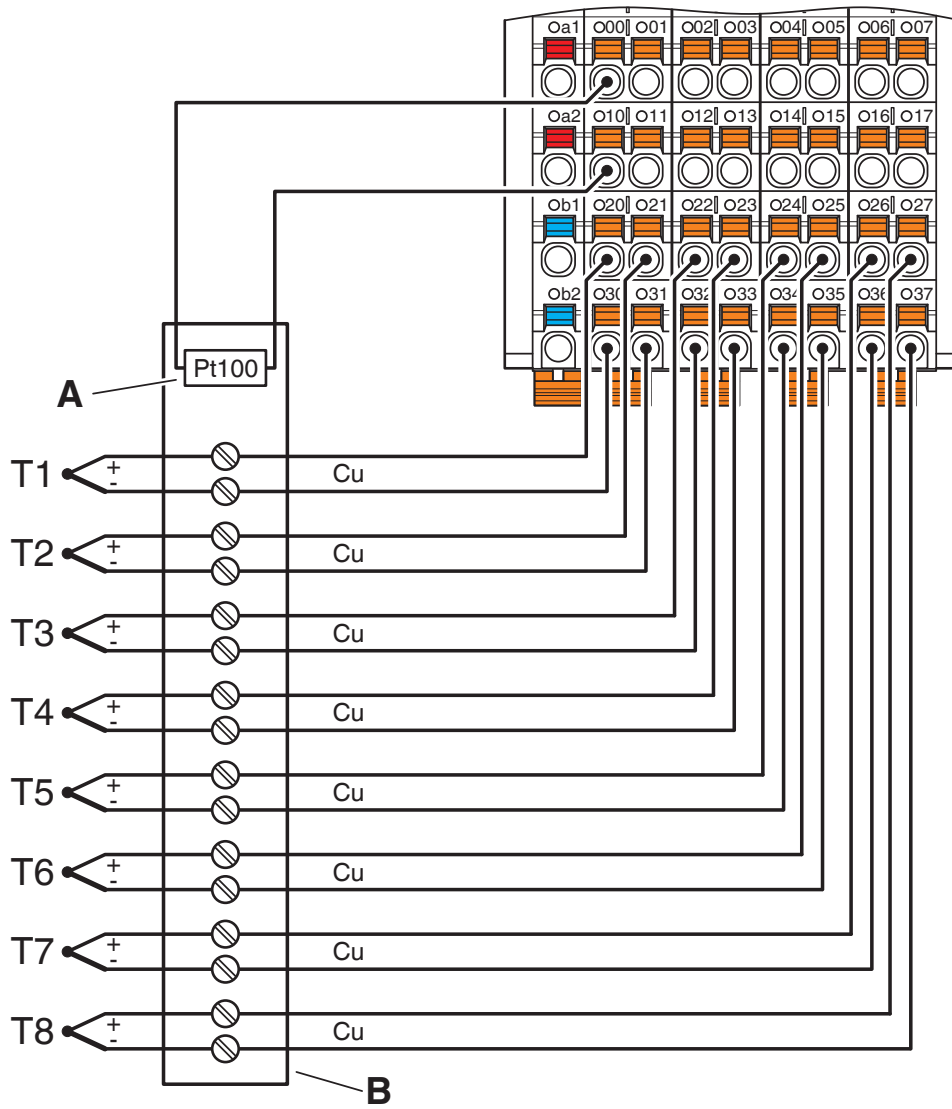
Pt 100 detection

AXL F UTH8 1F - Temperature module

2688417

<https://www.phoenixcontact.com/in/products/2688417>

Connection diagram



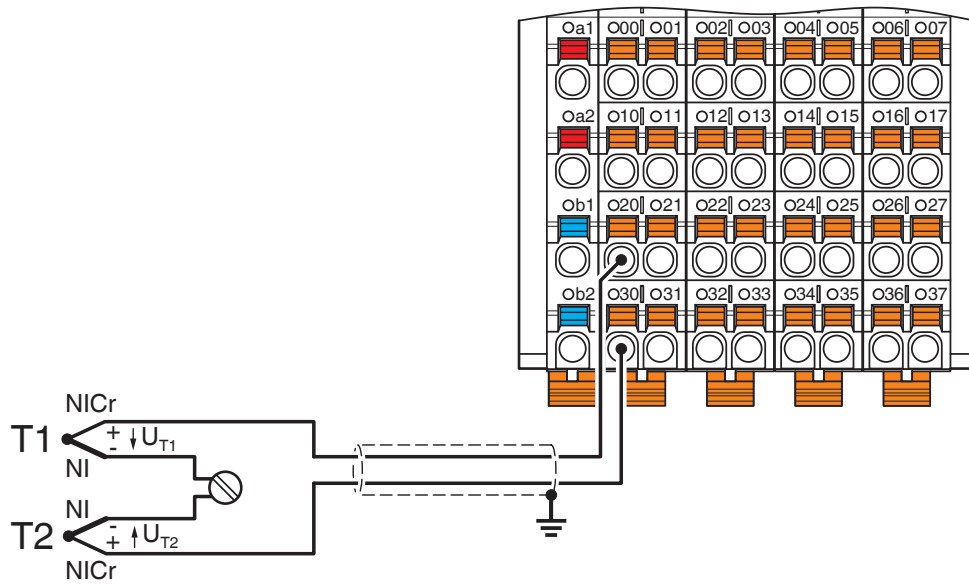
Thermocouple detection with external cold junction compensation at channel 1

AXL F UTH8 1F - Temperature module

2688417

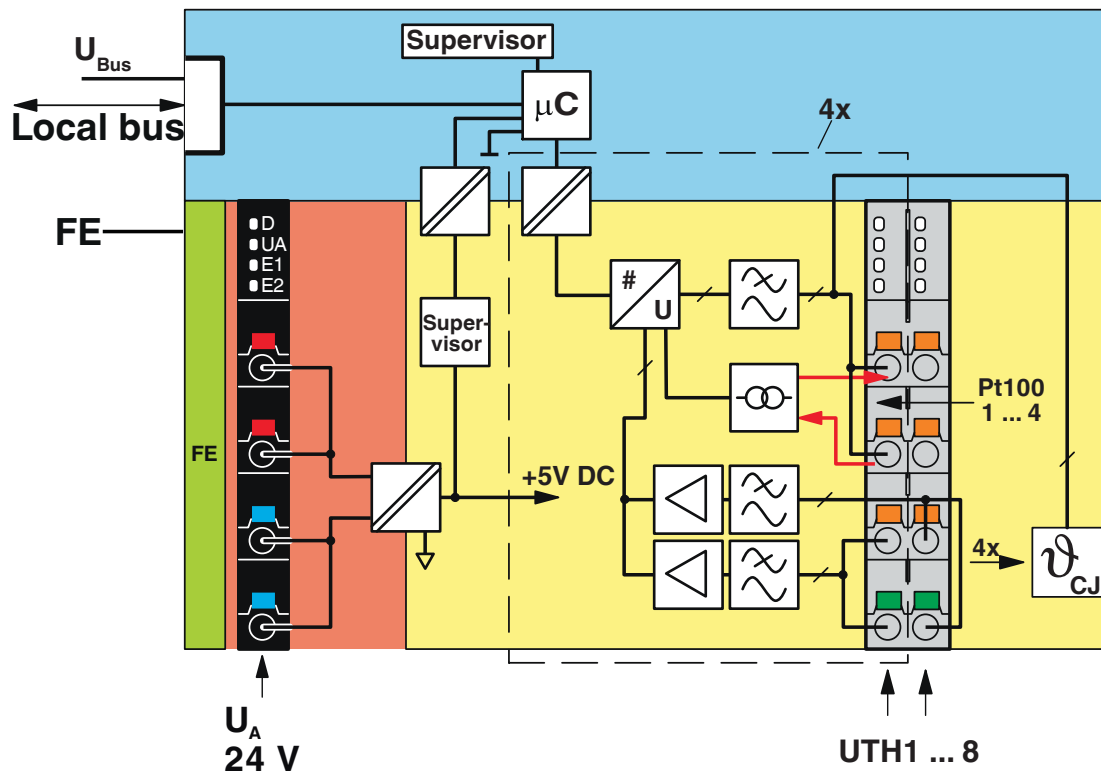
<https://www.phoenixcontact.com/in/products/2688417>

Connection diagram



Differential temperature measurement

Block diagram



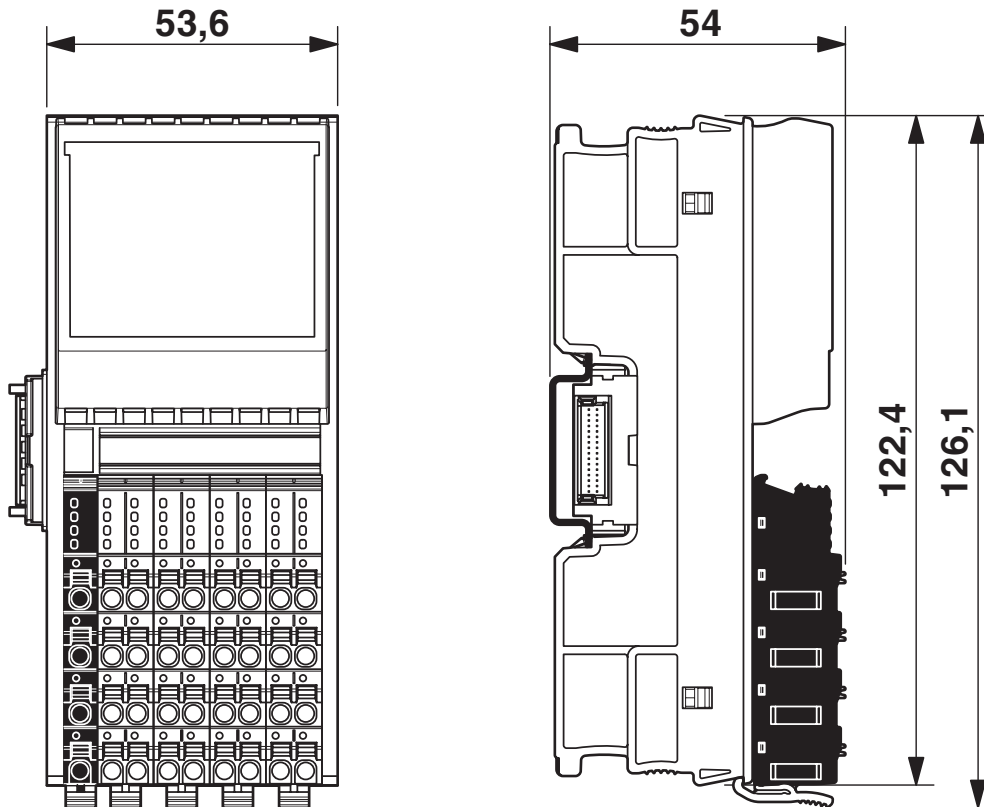
Internal wiring of the terminal points

AXL F UTH8 1F - Temperature module

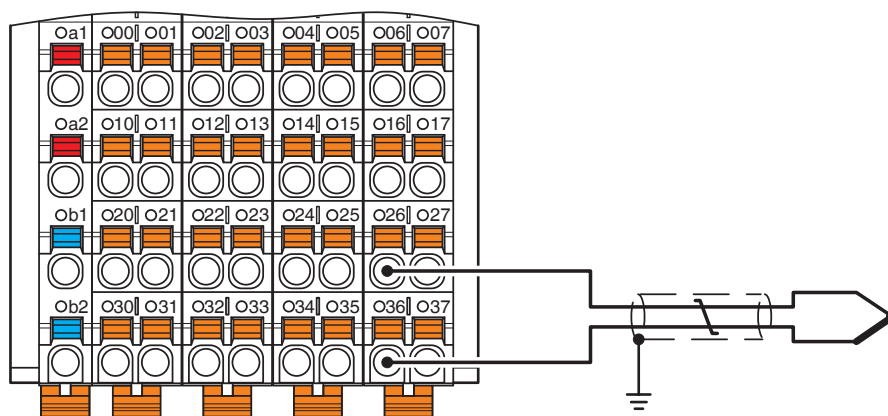
2688417

<https://www.phoenixcontact.com/in/products/2688417>

Dimensional drawing



Connection diagram

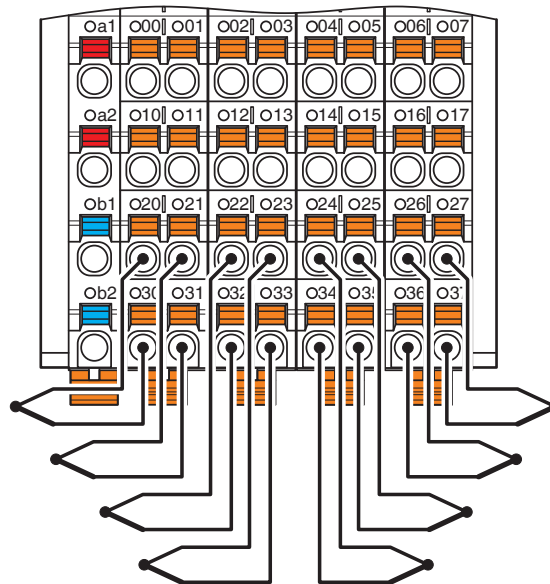


AXL F UTH8 1F - Temperature module

2688417

<https://www.phoenixcontact.com/in/products/2688417>

Connection diagram



Connection example: absolute temperature measurement

AXL F UTH8 1F - Temperature module



2688417

<https://www.phoenixcontact.com/in/products/2688417>

Approvals

To download certificates, visit the product detail page: <https://www.phoenixcontact.com/in/products/2688417>



UL Listed

Approval ID: FILE E 238705



cUL Listed

Approval ID: FILE E 238705



EAC

Approval ID: TR_TS_D_01831-19

UAE-RoHS

Approval ID: 23-02-63242

cULus Listed

AXL F UTH8 1F - Temperature module



2688417

<https://www.phoenixcontact.com/in/products/2688417>

Classifications

ECLASS

ECLASS-11.0	27242601
ECLASS-12.0	27242601
ECLASS-13.0	27242601

ETIM

ETIM 9.0	EC001596
----------	----------

UNSPSC

UNSPSC 21.0	32151600
-------------	----------

AXL F UTH8 1F - Temperature module



2688417

<https://www.phoenixcontact.com/in/products/2688417>

Environmental product compliance

EU RoHS

Fulfills EU RoHS substance requirements	Yes
Exemption	7(a), 7(c)-I

China RoHS

Environment friendly use period (EFUP)	EFUP-50
	An article-related China RoHS declaration table can be found in the download area for the respective article under "Manufacturer declaration". For all articles with EFUP-E, no China RoHS declaration table issued and required.

EU REACH SVHC

REACH candidate substance (CAS No.)	Lead(CAS: 7439-92-1)
SCIP	65e9e6cd-f3fa-4700-996f-61ef22fae431

AXL F UTH8 1F - Temperature module



2688417

<https://www.phoenixcontact.com/in/products/2688417>

Accessories

AXL F BS F - Bus connector

2688129

<https://www.phoenixcontact.com/in/products/2688129>



Axioline F bus base module for housing type F

AXL SHIELD SET - Shield connection

2700518

<https://www.phoenixcontact.com/in/products/2700518>



Axioline shield connection set (contains 2 shield bus holders and 2 SK 5 shield connection clamps)

AXL F UTH8 1F - Temperature module

2688417

<https://www.phoenixcontact.com/in/products/2688417>

ZB 20,3 AXL UNPRINTED - Zack marker strip

0829579

<https://www.phoenixcontact.com/in/products/0829579>



Zack marker strip for Axioline F (device labeling), in 2 x 20.3 mm pitch, unprinted, 25-section, for individual labeling with B-STIFT 0.8, X-PEN, or CMS-P1-PLOTTER

ZBF 10/5,8 AXL UNPRINTED - Zack Marker strip, flat

0829580

<https://www.phoenixcontact.com/in/products/0829580>



Zack Marker strip, flat, Strip, white, unlabeled, can be labeled with: PLOTMARK, CMS-P1-PLOTTER, mounting type: snapped, for terminal block width: 10.15 mm, lettering field size: 4 x 10, 15 x 5 mm, 1 x 5.8 x 5 mm, Number of individual labels: 50

AXL F UTH8 1F - Temperature module

2688417

<https://www.phoenixcontact.com/in/products/2688417>

MTKD-CU/CUNI - Thermoelectric voltage terminal block pair

3100059

<https://www.phoenixcontact.com/in/products/3100059>



Thermoelectric voltage terminal block pair, TC type T, nom. voltage: 400 V, nominal current: 1 A, number of connections: 4, number of positions: 2, connection method: Screw connection, 1 level, cross section: 0.2 mm² - 4 mm², mounting type: NS 35/7,5, NS 35/15, NS 32, color: gray

MTKD-FE/CUNI - Thermoelectric voltage terminal block pair

3100046

<https://www.phoenixcontact.com/in/products/3100046>



Thermoelectric voltage terminal block pair, TC type J, nom. voltage: 400 V, nominal current: 1 A, number of connections: 4, number of positions: 2, connection method: Screw connection, 1 level, cross section: 0.2 mm² - 4 mm², mounting type: NS 35/7,5, NS 35/15, NS 32, color: gray

AXL F UTH8 1F - Temperature module

2688417

<https://www.phoenixcontact.com/in/products/2688417>

MTKD-NICR/CUNI - Thermoelectric voltage terminal block pair

3100075

<https://www.phoenixcontact.com/in/products/3100075>



Thermoelectric voltage terminal block pair, TC type E, nom. voltage: 400 V, nominal current: 1 A, number of connections: 4, number of positions: 2, connection method: Screw connection, 1 level, cross section: 0.2 mm² - 4 mm², mounting type: NS 35/7,5, NS 35/15, NS 32, color: gray

MTKD-NICR/NI - Thermoelectric voltage terminal block pair

3100062

<https://www.phoenixcontact.com/in/products/3100062>



Thermoelectric voltage terminal block pair, TC type K, nom. voltage: 400 V, nominal current: 1 A, number of connections: 4, number of positions: 2, connection method: Screw connection, 1 level, cross section: 0.2 mm² - 4 mm², mounting type: NS 35/7,5, NS 35/15, NS 32, color: gray

AXL F UTH8 1F - Temperature module

2688417

<https://www.phoenixcontact.com/in/products/2688417>

MTKD-E-CU/A-CU - Thermoelectric voltage terminal block pair

3100091

<https://www.phoenixcontact.com/in/products/3100091>



Thermoelectric voltage terminal block pair, TC type R, nom. voltage: 400 V, nominal current: 1 A, number of connections: 4, number of positions: 2, connection method: Screw connection, 1 level, cross section: 0.2 mm² - 4 mm², mounting type: NS 35/7,5, NS 35/15, NS 32, color: gray

MTKD-S-CU/E-CU - Thermoelectric voltage terminal block pair

3100101

<https://www.phoenixcontact.com/in/products/3100101>



Thermoelectric voltage terminal block pair, TC type B, nom. voltage: 400 V, nominal current: 1 A, number of connections: 4, number of positions: 2, connection method: Screw connection, cross section: 0.2 mm² - 4 mm², mounting type: NS 35/7,5, NS 35/15, NS 32, color: gray

AXL F UTH8 1F - Temperature module



2688417

<https://www.phoenixcontact.com/in/products/2688417>

EMT (35X46)R - Insert label

0801604

<https://www.phoenixcontact.com/in/products/0801604>



Insert label, for marking the Axioline F series from Phoenix Contact, Roll, white, unlabeled, can be labeled with: THERMOMARK E.300 (D)/600 (D), THERMOMARK ROLL 2.0, THERMOMARK ROLL, THERMOMARK ROLL X1, THERMOMARK ROLLMaster 300/600, THERMOMARK X1.2, mounting type: insert, lettering field size: 35 x 46 mm, Number of individual labels: 500

Phoenix Contact 2024 © - all rights reserved

<https://www.phoenixcontact.com>

PHOENIX CONTACT (I) Pvt. Ltd.

A-58/2, Okhla Industrial Area, Phase - II, New Delhi-110 020

+91.1275.71420

info@phoenixcontact.co.in