

AXL F RTD8 1F - Temperature module



2688077

<https://www.phoenixcontact.com/in/products/2688077>

Please be informed that the data shown in this PDF document is generated from our Online Catalog. Please find the complete data in the user documentation. Our General Terms of Use for Downloads are valid.



Axioline F, Temperature recording module, Analog inputs: 8 (for resistance temperature detectors), connection technology: 2-, 3-, 4-conductor (shielded), transmission speed in the local bus: 100 Mbps, degree of protection: IP20, including bus base module and Axioline F connectors

Product Description

The module is designed for use within an Axioline F station. It is used to acquire signals from resistive temperature sensors. The module supports all common platinum and nickel sensors in accordance with DIN EN 60751 and SAMA. Cu10, Cu50, Cu53 sensors as well as various KTY8x sensor types are also supported.

Your advantages

- 8 analog input channels for the connection of resistance temperature detectors (RTD)
- 500 Ω and 5 k Ω linear inputs
- Connection of sensors in 2-, 3-, and 4-conductor technology
- Integrated, digital sensor linearization
- Standardized measured value representation directly in $^{\circ}\text{C}$, $^{\circ}\text{F}$ or Ω
- Measured value display in 16-bit format or floating point format
- Programmable filters
- Short-circuit protected inputs
- Temperature stability
- Very high level of noise immunity
- Low noise emission
- Installation monitoring by means of "Channel scout" function
- Device rating plate stored

Commercial Data

Item number	2688077
Packing unit	1 pc
Minimum order quantity	1 pc
Sales Key	DRI
Product Key	DRI243
Catalog Page	Page 86 (C-6-2019)
GTIN	4046356501453
Weight per Piece (including packing)	249.3 g
Weight per Piece (excluding packing)	241.3 g
Customs tariff number	85389091

AXL F RTD8 1F - Temperature module

2688077

<https://www.phoenixcontact.com/in/products/2688077>



Country of origin	DE
-------------------	----

AXL F RTD8 1F - Temperature module

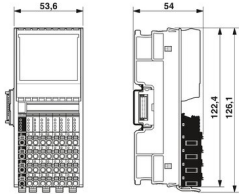


2688077

<https://www.phoenixcontact.com/in/products/2688077>

Technical Data

Dimensions

Dimensional drawing	
Width	53.6 mm
Height	126.1 mm
Depth	54 mm
Note on dimensions	The depth applies when a TH 35-7.5 DIN rail is used (in accordance with EN 60715).

Material specifications

Color	traffic grey A RAL 7042
-------	-------------------------

Interfaces

Axioline F local bus

Number of interfaces	2
Connection method	Bus base module
Transmission speed	100 Mbps

System properties

Module

Input address area	16 Byte
Output address area	16 Byte
Required parameter data	20 Byte
Required configuration data	6 Byte

Input data

Analog

Input name	Analog inputs
Description of the input	Inputs for resistive temperature sensors
Number of inputs	8 (for resistance temperature detectors)
Connection method	Push-in connection
Connection technology	2-, 3-, 4-conductor (shielded)
A/D converter resolution	24 bit
Sensor types (RTD) that can be used	Pt, Ni, KTY, Cu sensors
Data formats	IB IL, S7-compatible
Measured value representation	16 bits (15 bits + sign bit)

AXL F RTD8 1F - Temperature module



2688077

<https://www.phoenixcontact.com/in/products/2688077>

Input filter time	40 ms
	60 ms
	100 ms
	120 ms (adjustable)
Nominal value of the current sources	1 mA (Pt 100, Ni 100, R_{Lin} 500 Ω ; pulse current, the specification is valid during the sampling phase)
	210 μ A (Pt 1000, Ni 1000, R_{Lin} 5000 Ω ; pulse current, the specification is valid during the sampling phase)
Linear resistance measuring range	0 Ω ... 500 Ω
	0 k Ω ... 5 k Ω
Protective circuit	Short-circuit protection, overload protection of the inputs
	Transient protection of inputs
	Transient protection of sensor supplies

Product properties

Type	block modular
Product type	I/O component
Product family	Axioline F
Mounting position	any (no temperature derating)
Scope of delivery	including bus base module and Axioline F connectors

Insulation characteristics

Overvoltage category	II (IEC 60664-1, EN 60664-1)
Pollution degree	2 (IEC 60664-1, EN 60664-1)

Electrical properties

Maximum power dissipation for nominal condition	0.9 W
---	-------

Potentials

Power consumption	typ. 0.94 W (at U_{Bus} and U_A (up to HW 06))
	typ. 0.59 W (at U_{Bus} and U_A (from HW 07))
	max. 1.5 W (at U_{Bus} and U_A (up to HW 06))
	max. 1.03 W (at U_{Bus} and U_A (from HW 07))

Potentials: Axioline F local bus supply (U_{Bus})

Supply voltage	5 V DC (via bus base module)
Current draw	max. 180 mA (up to HW 06)
	max. 85 mA (from HW 07)
	typ. 115 mA (up to HW 06)
	typ. 60 mA (from HW 07)
Power consumption	max. 900 mW (up to HW 06)
	max. 425 mW (from HW 07)
	typ. 580 mW (up to HW 06)
	typ. 300 mW (from HW 07)

Potentials: Supply for analog modules (U_A)

Supply voltage	24 V DC
----------------	---------

AXL F RTD8 1F - Temperature module



2688077

<https://www.phoenixcontact.com/in/products/2688077>

Supply voltage range	19.2 V DC ... 30 V DC (including all tolerances, including ripple)
Current draw	max. 25 mA
	typ. 15 mA (up to HW 06)
	typ. 12 mA (from HW 07)
Power consumption	max. 0.6 W
Protective circuit	Surge protection; electronic (35 V, 0.5 s)
	Reverse polarity protection; Polarity protection diode
	Transient protection; Suppressor diode

Connection data

Connection technology

Connection name	Axioline F connector
Note on the connection method	Please observe the information provided on conductor cross sections in the "Axioline F: system and installation" user manual.

Conductor connection

Connection method	Push-in connection
Conductor cross section rigid	0.2 mm ² ... 1.5 mm ²
Conductor cross section flexible	0.2 mm ² ... 1.5 mm ²
Conductor cross section AWG	24 ... 16
Stripping length	8 mm

Axioline F connector

Connection method	Push-in connection
Note on the connection method	Please observe the information provided on conductor cross sections in the "Axioline F: system and installation" user manual.
Conductor cross section, rigid	0.2 mm ² ... 1.5 mm ²
Conductor cross section, flexible	0.2 mm ² ... 1.5 mm ²
Conductor cross section AWG	24 ... 16
Stripping length	8 mm

Environmental and real-life conditions

Ambient conditions

Ambient temperature (operation)	-25 °C ... 60 °C
Degree of protection	IP20
Air pressure (operation)	70 kPa ... 106 kPa (up to 3000 m above sea level)
Air pressure (storage/transport)	70 kPa ... 106 kPa (up to 3000 m above sea level)
Ambient temperature (storage/transport)	-40 °C ... 85 °C
Permissible humidity (operation)	5 % ... 95 % (non-condensing)
Permissible humidity (storage/transport)	5 % ... 95 % (non-condensing)

Standards and regulations

Protection class	III (IEC 61140, EN 61140, VDE 0140-1)
------------------	---------------------------------------

Mounting

AXL F RTD8 1F - Temperature module



2688077

<https://www.phoenixcontact.com/in/products/2688077>

Mounting type	DIN rail mounting
Mounting position	any (no temperature derating)

AXL F RTD8 1F - Temperature module

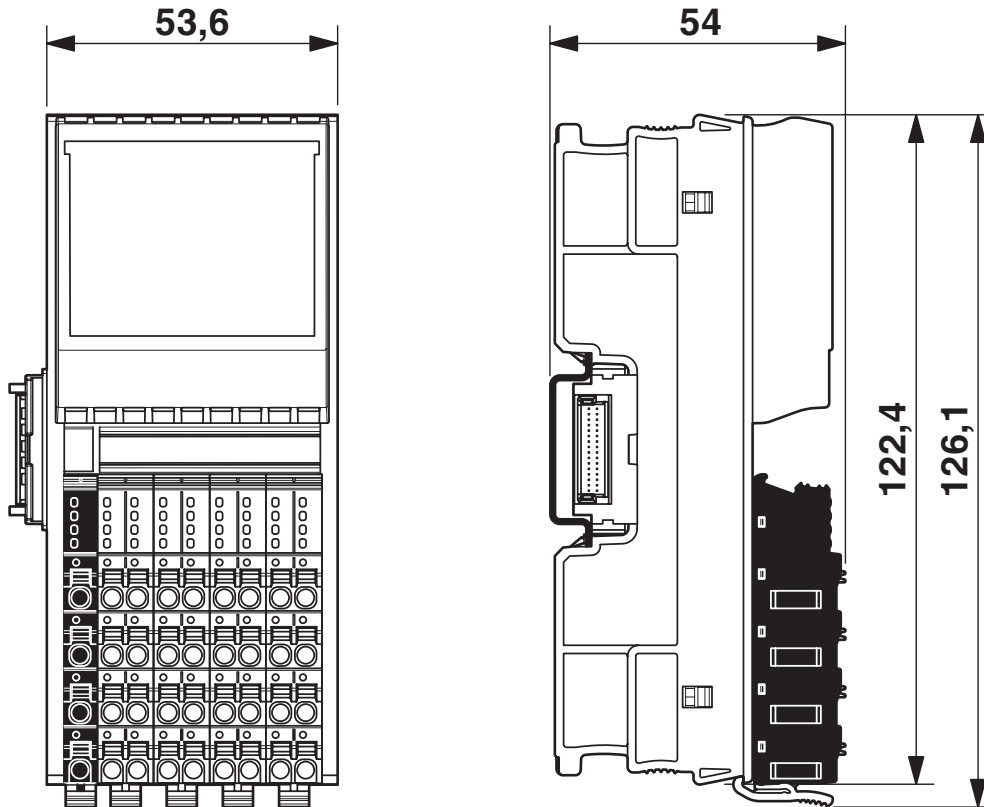


2688077

<https://www.phoenixcontact.com/in/products/2688077>

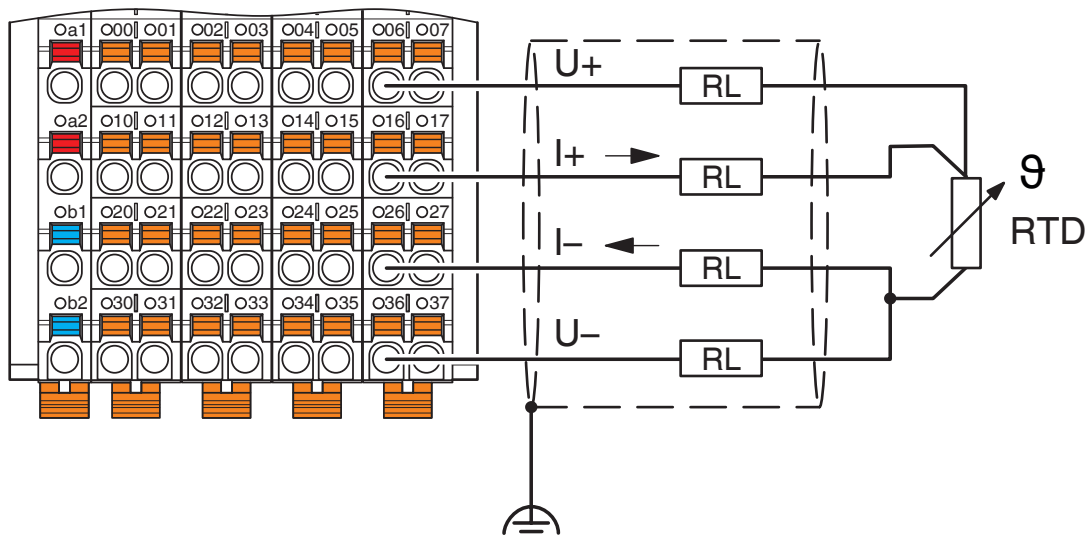
Drawings

Dimensional drawing



Dimensional drawing

Connection diagram



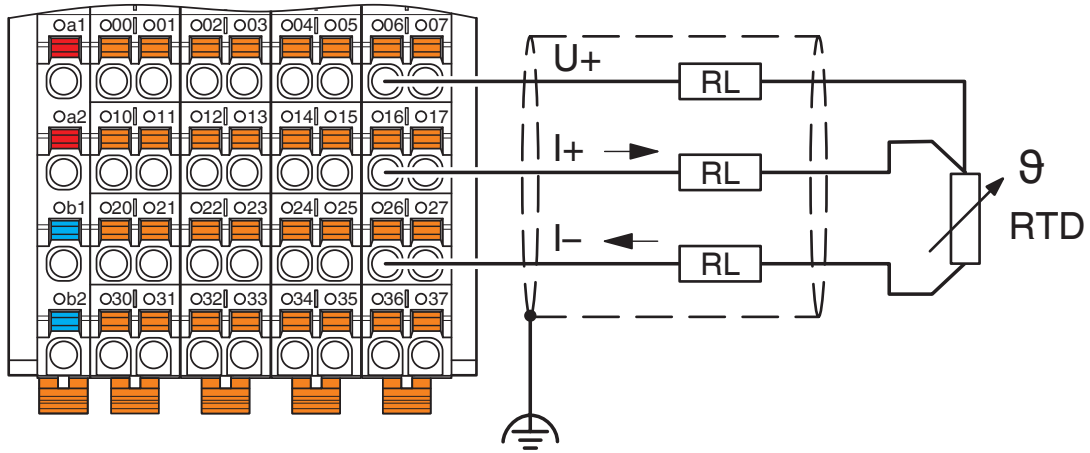
Connection example: 4-conductor connection for 3-conductor sensor with very long supply lines (> 100 m)

AXL F RTD8 1F - Temperature module

2688077

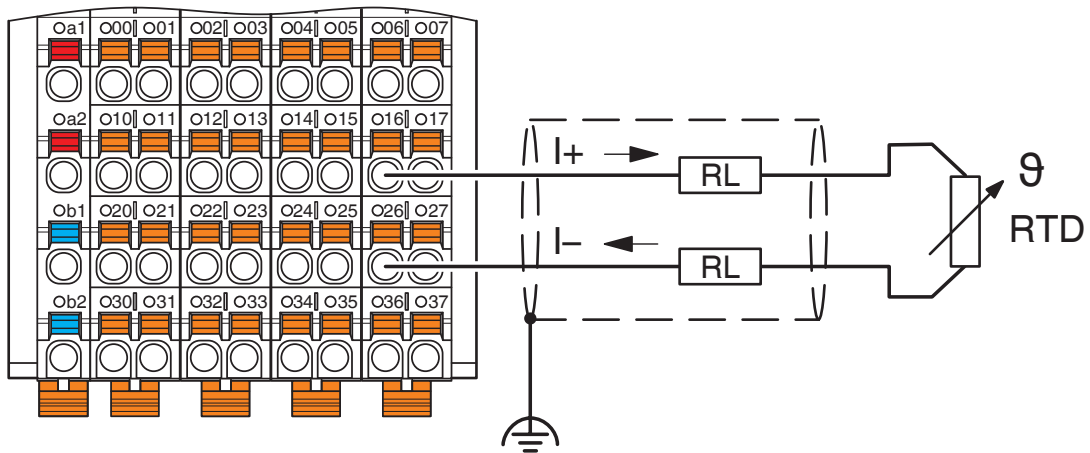
<https://www.phoenixcontact.com/in/products/2688077>

Connection diagram



Connection example: 3-conductor connection

Connection diagram



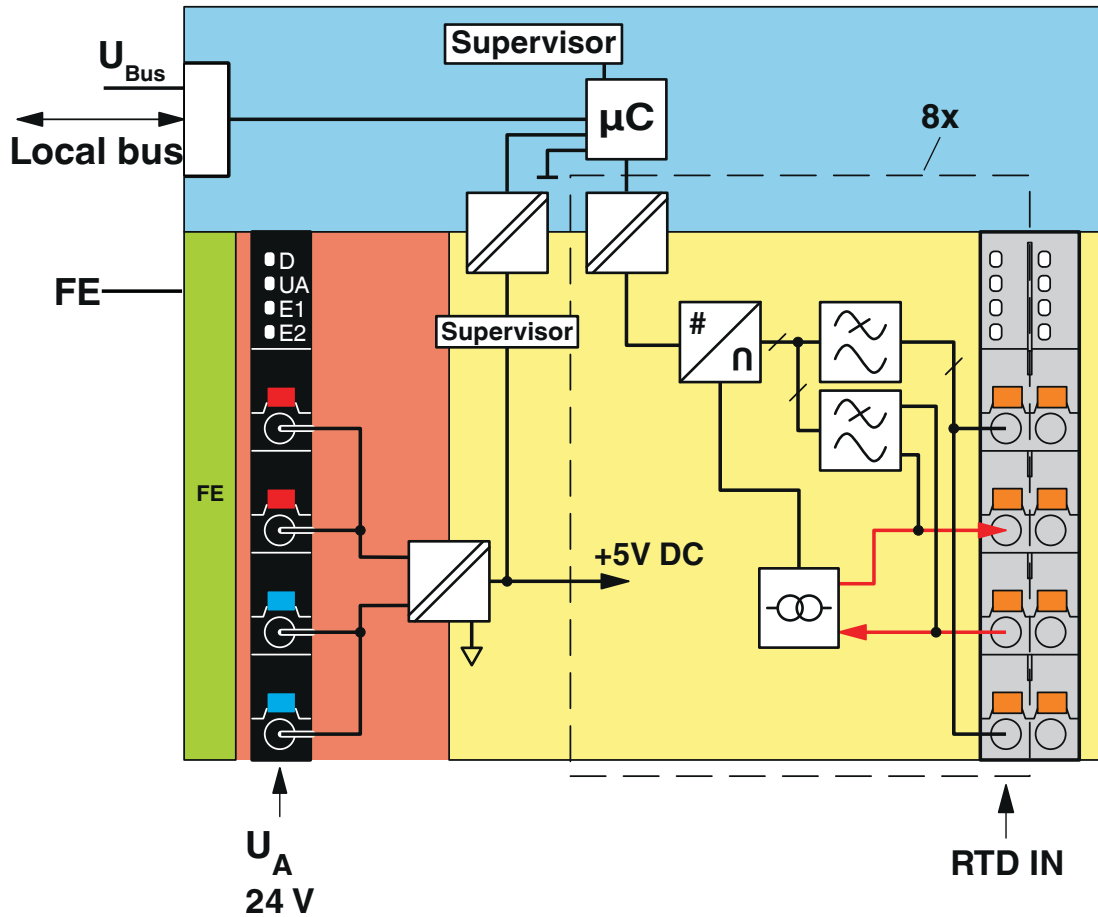
Connection example: 2-conductor connection

AXL F RTD8 1F - Temperature module

2688077

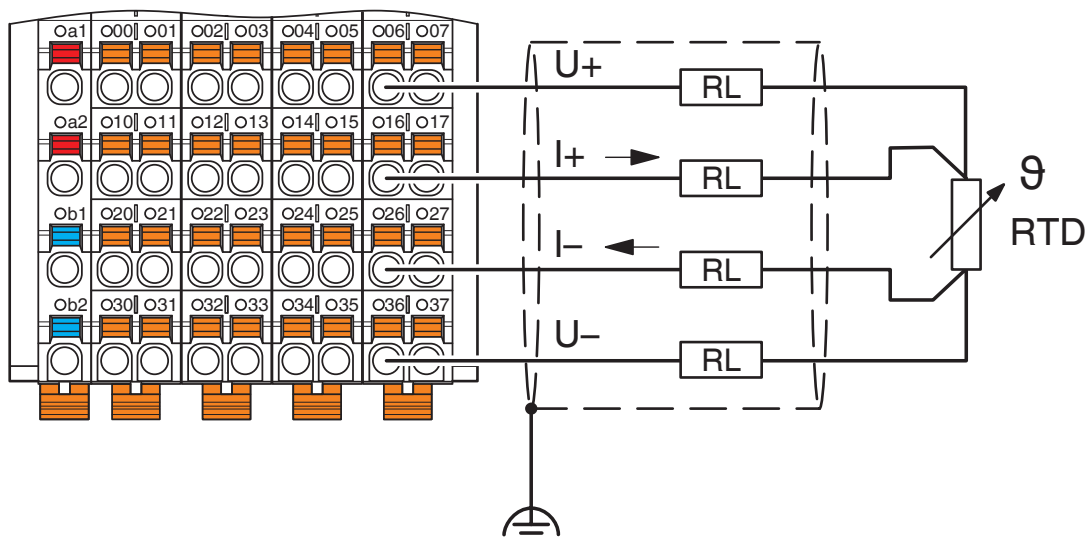
<https://www.phoenixcontact.com/in/products/2688077>

Block diagram



Internal wiring of the terminal points

Connection diagram



Connection example: 4-conductor connection

AXL F RTD8 1F - Temperature module



2688077

<https://www.phoenixcontact.com/in/products/2688077>

Approvals



DNV GL

Approval ID: TAA00000DF



LR

Approval ID: LR2001902TA



NK

Approval ID: 14A006



BV

Approval ID: 36433/B4 BV



PRS

Approval ID: TE/1020/880590/21



UL Listed

Approval ID: FILE E 238705



cUL Listed

Approval ID: FILE E 238705



RINA

Approval ID: ELE283021XG



EAC

Approval ID: TR_TS_D_01831-19

AXL F RTD8 1F - Temperature module



2688077

<https://www.phoenixcontact.com/in/products/2688077>

Classifications

ECLASS

ECLASS-11.0	27242601
ECLASS-12.0	27242601
ECLASS-13.0	27242601

ETIM

ETIM 8.0	EC001596
----------	----------

UNSPSC

UNSPSC 21.0	32151600
-------------	----------

AXL F RTD8 1F - Temperature module



2688077

<https://www.phoenixcontact.com/in/products/2688077>

Environmental Product Compliance

REACH SVHC	Lead 7439-92-1
China RoHS	Environmentally Friendly Use Period = 50 years
	For information on hazardous substances, refer to the manufacturer's declaration available under "Downloads"

AXL F RTD8 1F - Temperature module



2688077

<https://www.phoenixcontact.com/in/products/2688077>

Accessories

AXL F BS F - Bus connector

2688129

<https://www.phoenixcontact.com/in/products/2688129>



Axioline F bus base module for housing type F

AXL SHIELD SET - Shield connection

2700518

<https://www.phoenixcontact.com/in/products/2700518>



Axioline shield connection set (contains 2 shield bus holders and 2 SK 5 shield connection clamps)

AXL F RTD8 1F - Temperature module

2688077

<https://www.phoenixcontact.com/in/products/2688077>

ZB 20,3 AXL UNPRINTED - Zack marker strip

0829579

<https://www.phoenixcontact.com/in/products/0829579>



Zack marker strip for Axioline F (device labeling), in 2 x 20.3 mm pitch, unprinted, 25-section, for individual labeling with B-STIFT 0.8, X-PEN, or CMS-P1-PLOTTER

ZBF 10/5,8 AXL UNPRINTED - Zack Marker strip, flat

0829580

<https://www.phoenixcontact.com/in/products/0829580>



Zack Marker strip, flat, Strip, white, unlabeled, can be labeled with: PLOTMARK, CMS-P1-PLOTTER, mounting type: snapped, for terminal block width: 10.15 mm, lettering field size: 4 x 10, 15 x 5 mm, 1 x 5.8 x 5 mm, Number of individual labels: 50

AXL F RTD8 1F - Temperature module



2688077

<https://www.phoenixcontact.com/in/products/2688077>

EMT (35X46)R - Insert label

0801604

<https://www.phoenixcontact.com/in/products/0801604>



Insert label, for marking the Axioline F series from Phoenix Contact, Roll, white, unlabeled, can be labeled with: THERMOMARK E.300 (D)/600 (D), THERMOMARK ROLL 2.0, THERMOMARK ROLL, THERMOMARK ROLL X1, THERMOMARK ROLLMaster 300/600, THERMOMARK X1.2, mounting type: insert, lettering field size: 35 x 46 mm, Number of individual labels: 500

Phoenix Contact 2023 © - all rights reserved

<https://www.phoenixcontact.com>

PHOENIX CONTACT (I) Pvt. Ltd.

A-58/2, Okhla Industrial Area, Phase - II, New Delhi-110 020

+91.1275.71420

info@phoenixcontact.co.in