

# VIP-3/SC/D50SUB/F/LED - Interface module



2322236

<https://www.phoenixcontact.com/in/products/2322236>

Please be informed that the data shown in this PDF document is generated from our Online Catalog. Please find the complete data in the user documentation. Our General Terms of Use for Downloads are valid.



VARIOFACE module, with screw connection and D-SUB miniature socket strip, for mounting on NS 35 rails, with LED, 50-pos.

## Your advantages

- 9-pos. ... 50-pos.
- Metal foot
- In accordance with IEC 60603-13
- 1:1 connection
- Screw connection

## Commercial Data

Item number	2322236
Packing unit	1 pc
Minimum order quantity	1 pc
Note	Made to Order (non-returnable)
Sales Key	CK2
Product Key	CK2422
Catalog Page	Page 571 (C-5-2017)
GTIN	4046356451758
Weight per Piece (including packing)	256.1 g
Weight per Piece (excluding packing)	256.1 g
Customs tariff number	85366990
Country of origin	US

## Technical Data

### Product properties

Product type	Interface module
Product family	VARIOFACE Professional
Number of positions	50

### Insulation characteristics

Overvoltage category	II
Pollution degree	2

### Electrical properties

Nominal voltage $U_N$	24 V DC
Max. current carrying capacity per branch	0.5 A

### Connection data

#### Field level

Connection in acc. with standard	IEC / EN
Connection method	Screw connection
Stripping length	8 mm
Screw thread	M3
Conductor cross section rigid	0.2 mm <sup>2</sup> ... 4 mm <sup>2</sup>
Conductor cross section flexible	0.2 mm <sup>2</sup> ... 2.5 mm <sup>2</sup>
Conductor cross section AWG	24 ... 12

#### Controller level

Connection method	D-SUB socket strip
Number of connections	1
Number of positions	50

### Signaling

Status display	LED
Status display present	Yes

### Dimensions

Width	98.2 mm
Height	69 mm
Depth	62 mm

### Material specifications

Flammability rating according to UL 94	V0
Housing insulation material	Polyamide 6 green

### Environmental and real-life conditions

# VIP-3/SC/D50SUB/F/LED - Interface module



2322236

<https://www.phoenixcontact.com/in/products/2322236>

## Ambient conditions

Ambient temperature (operation)	-20 °C ... 45 °C
Ambient temperature (storage/transport)	-20 °C ... 70 °C

## Standards and regulations

Standards/regulations	IEC 60664
	DIN EN 50178

## Mounting

Mounting type	DIN rail mounting
Mounting position	any

# VIP-3/SC/D50SUB/F/LED - Interface module

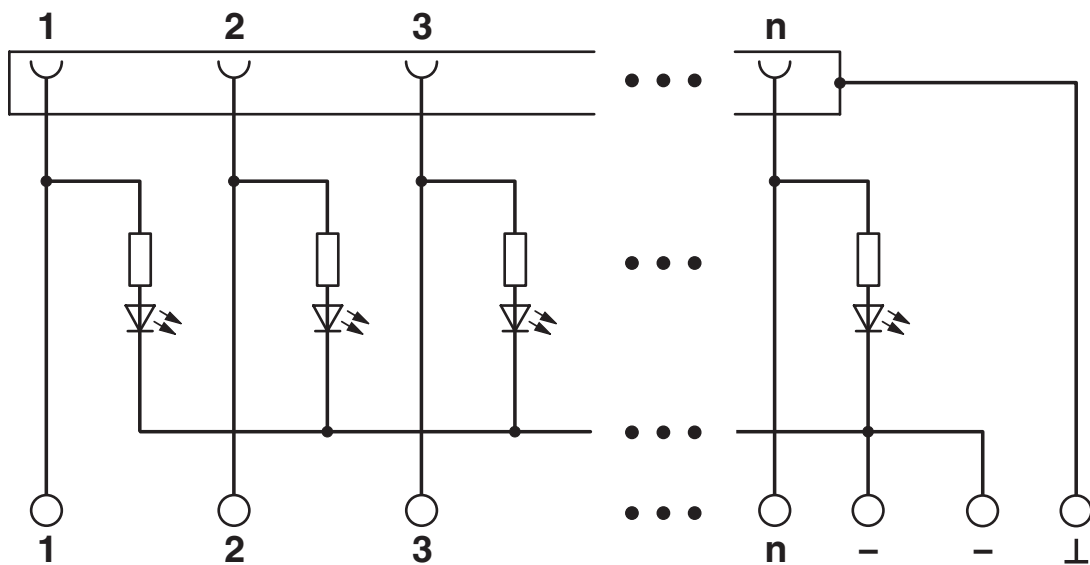


2322236

<https://www.phoenixcontact.com/in/products/2322236>

## Drawings

Circuit diagram



# VIP-3/SC/D50SUB/F/LED - Interface module




2322236

<https://www.phoenixcontact.com/in/products/2322236>

## Approvals

 <b>CSA</b> Approval ID: 2122203				
	Nominal Voltage $U_N$	Nominal Current $I_N$	Cross Section AWG	Cross Section $\text{mm}^2$
	24 V	1 A	28 - 12	-

 <b>cUL Recognized</b> Approval ID: FILE E 238705				
	Nominal Voltage $U_N$	Nominal Current $I_N$	Cross Section AWG	Cross Section $\text{mm}^2$
	24 V	1 A	30 - 12	-

 <b>UL Recognized</b> Approval ID: FILE E 238705				
	Nominal Voltage $U_N$	Nominal Current $I_N$	Cross Section AWG	Cross Section $\text{mm}^2$
	24 V	1 A	30 - 12	-

 <b>CSAus</b> Approval ID: 2122203				
	Nominal Voltage $U_N$	Nominal Current $I_N$	Cross Section AWG	Cross Section $\text{mm}^2$
	24 V	1 A	28 - 12	-

# VIP-3/SC/D50SUB/F/LED - Interface module



2322236

<https://www.phoenixcontact.com/in/products/2322236>

## Classifications

### ECLASS

ECLASS-11.0	27141152
ECLASS-12.0	27141152
ECLASS-13.0	27141152

### ETIM

ETIM 8.0	EC002780
----------	----------

### UNSPSC

UNSPSC 21.0	39121400
-------------	----------

# VIP-3/SC/D50SUB/F/LED - Interface module



2322236

<https://www.phoenixcontact.com/in/products/2322236>

## Environmental Product Compliance

REACH SVHC	Lead 7439-92-1
China RoHS	Environmentally Friendly Use Period = 50 years
	For information on hazardous substances, refer to the manufacturer's declaration available under "Downloads"

# VIP-3/SC/D50SUB/F/LED - Interface module

2322236

<https://www.phoenixcontact.com/in/products/2322236>

## Accessories

### CABLE D-SUB-S/.../.../... - Cable

2302340

<https://www.phoenixcontact.com/in/products/2302340>



Shielded round cable, assembled with one D-SUB female and pin strip (9-, 15-, 25-, 37-, or 50-pos.), variable cable length

---

### CABLE D-SUB-S-S-S/.../.../... - Cable

2302434

<https://www.phoenixcontact.com/in/products/2302434>



Shielded round cable, assembled with two D-SUB pin strips (9-, 15-, 25-, 37-, or 50-pos.), variable cable length



# VIP-3/SC/D50SUB/F/LED - Interface module



2322236

<https://www.phoenixcontact.com/in/products/2322236>

## UC-TM 4 - Marker for terminal blocks

0818111

<https://www.phoenixcontact.com/in/products/0818111>



Marker for terminal blocks, Sheet, white, unlabeled, can be labeled with: BLUEMARK ID COLOR, BLUEMARK ID, BLUEMARK CLED, PLOTMARK, CMS-P1-PLOTTER, mounting type: snapped, for terminal block width: 4.2 mm, lettering field size: 3.6 x 10.5 mm, Number of individual labels: 120

---

## UC-TM 6 - Marker for terminal blocks

0818085

<https://www.phoenixcontact.com/in/products/0818085>



Marker for terminal blocks, Sheet, white, unlabeled, can be labeled with: BLUEMARK ID COLOR, BLUEMARK ID, BLUEMARK CLED, PLOTMARK, CMS-P1-PLOTTER, mounting type: snapped, for terminal block width: 6.2 mm, lettering field size: 5.6 x 10.5 mm, Number of individual labels: 80

# VIP-3/SC/D50SUB/F/LED - Interface module



2322236

<https://www.phoenixcontact.com/in/products/2322236>

## UCT-TM 6 - Marker for terminal blocks

0828736

<https://www.phoenixcontact.com/in/products/0828736>



Marker for terminal blocks, Sheet, white, unlabeled, can be labeled with: TOPMARK NEO, TOPMARK LASER, BLUEMARK ID COLOR, BLUEMARK ID, BLUEMARK CLED, THERMOMARK PRIME, THERMOMARK CARD 2.0, THERMOMARK CARD, mounting type: snapped, for terminal block width: 6.2 mm, lettering field size: 5.6 x 10.5 mm, Number of individual labels: 60

---

## ZB 5,08:UNBEDRUCKT - Zack marker strip

0809793

<https://www.phoenixcontact.com/in/products/0809793>



Zack marker strip, Strip, white, unlabeled, can be labeled with: PLOTMARK, CMS-P1-PLOTTER, mounting type: snapped, for terminal block width: 5.08 mm, lettering field size: 4.98 x 10.5 mm, Number of individual labels: 10

# VIP-3/SC/D50SUB/F/LED - Interface module



2322236

<https://www.phoenixcontact.com/in/products/2322236>

## ZB 22:UNBEDRUCKT - Zack marker strip

0811862

<https://www.phoenixcontact.com/in/products/0811862>



Zack marker strip, Strip, white, unlabeled, can be labeled with: PLOTMARK, CMS-P1-PLOTTER, mounting type: snapped, for terminal block width: 22 mm, lettering field size: 10.5 x 21.8 mm, Number of individual labels: 4

---

## CABLE-D50SUB/B/S/ 50/KONFEK/S - Cable

2302269

<https://www.phoenixcontact.com/in/products/2302269>



Assembled shielded round cable; connection 1: D-SUB socket strip (1x 50-position); connection 2: D-SUB pin strip (1x 50-position); cable length: 0.5 m

# VIP-3/SC/D50SUB/F/LED - Interface module

2322236

<https://www.phoenixcontact.com/in/products/2322236>

## CABLE-D50SUB/B/S/100/KONFEK/S - Cable

2302272

<https://www.phoenixcontact.com/in/products/2302272>



Assembled shielded round cable; connection 1: D-SUB socket strip (1x 50-position); connection 2: D-SUB pin strip (1x 50-position); cable length: 1 m

---

## CABLE-D50SUB/B/S/150/KONFEK/S - Cable

2302285

<https://www.phoenixcontact.com/in/products/2302285>



Assembled shielded round cable; connection 1: D-SUB socket strip (1x 50-position); connection 2: D-SUB pin strip (1x 50-position); cable length: 1.5 m

# VIP-3/SC/D50SUB/F/LED - Interface module

2322236

<https://www.phoenixcontact.com/in/products/2322236>

## CABLE-D50SUB/B/S/200/KONFEK/S - Cable

2302298

<https://www.phoenixcontact.com/in/products/2302298>



Assembled shielded round cable; connection 1: D-SUB socket strip (1x 50-position); connection 2: D-SUB pin strip (1x 50-position); cable length: 2 m

---

## CABLE-D50SUB/B/S/300/KONFEK/S - Cable

2302308

<https://www.phoenixcontact.com/in/products/2302308>



Assembled shielded round cable; connection 1: D-SUB socket strip (1x 50-position); connection 2: D-SUB pin strip (1x 50-position); cable length: 3 m

# VIP-3/SC/D50SUB/F/LED - Interface module

2322236

<https://www.phoenixcontact.com/in/products/2322236>

## CABLE-D50SUB/B/S/400/KONFEK/S - Cable

2302311

<https://www.phoenixcontact.com/in/products/2302311>



Assembled shielded round cable; connection 1: D-SUB socket strip (1x 50-position); connection 2: D-SUB pin strip (1x 50-position); cable length: 4 m

---

## CABLE-D50SUB/B/S/600/KONFEK/S - Cable

2302324

<https://www.phoenixcontact.com/in/products/2302324>



Assembled shielded round cable; connection 1: D-SUB socket strip (1x 50-position); connection 2: D-SUB pin strip (1x 50-position); cable length: 6 m

# VIP-3/SC/D50SUB/F/LED - Interface module

2322236

<https://www.phoenixcontact.com/in/products/2322236>

## CABLE-D50SUB/B/S/HF/S/ 1,0M - Cable

1066678

<https://www.phoenixcontact.com/in/products/1066678>



Assembled, shielded, halogen-free round cable; connection 1: D-SUB socket strip (1x 50-position); connection 2: D-SUB pin strip (1x 50-position); cable length: 1 m

---

## CABLE-D50SUB/B/S/HF/S/ 2,0M - Cable

1066679

<https://www.phoenixcontact.com/in/products/1066679>



Assembled, shielded, halogen-free round cable; connection 1: D-SUB socket strip (1x 50-position); connection 2: D-SUB pin strip (1x 50-position); cable length: 2 m

# VIP-3/SC/D50SUB/F/LED - Interface module

2322236

<https://www.phoenixcontact.com/in/products/2322236>

## CABLE-D50SUB/B/S/HF/S/ 3,0M - Cable

1066681

<https://www.phoenixcontact.com/in/products/1066681>



Assembled, shielded, halogen-free round cable; connection 1: D-SUB socket strip (1x 50-position); connection 2: D-SUB pin strip (1x 50-position); cable length: 3 m

---

## CABLE-D50SUB-B-S-HF-S/... - Cable

1075554

<https://www.phoenixcontact.com/in/products/1075554>



Assembled, shielded, halogen-free round cable; connection 1: D-SUB socket strip (1x 50-position); connection 2: D-SUB pin strip (1x 50-position); cable length: variable



# VIP-3/SC/D50SUB/F/LED - Interface module

2322236

<https://www.phoenixcontact.com/in/products/2322236>

## CABLE-D-50SUB/M/OE/0,25/S/0,5M - Cable

2926645

<https://www.phoenixcontact.com/in/products/2926645>



Assembled shielded round cable; connection 1: Single wires (50-position) (The wires are marked and fitted with ferrules. The braided shield is routed to a separate cable end.); connection 2: D-SUB pin strip (1x 50-position); cable length: 0.5 m

---

## CABLE-D-50SUB/M/OE/0,25/S/1,0M - Cable

2926658

<https://www.phoenixcontact.com/in/products/2926658>



Assembled shielded round cable; connection 1: Single wires (50-position) (The wires are marked and fitted with ferrules. The braided shield is routed to a separate cable end.); connection 2: D-SUB pin strip (1x 50-position); cable length: 1 m

# VIP-3/SC/D50SUB/F/LED - Interface module

2322236

<https://www.phoenixcontact.com/in/products/2322236>

## CABLE-D-50SUB/M/OE/0,25/S/1,5M - Cable

2926661

<https://www.phoenixcontact.com/in/products/2926661>



Assembled shielded round cable; connection 1: Single wires (50-position) (The wires are marked and fitted with ferrules. The braided shield is routed to a separate cable end.); connection 2: D-SUB pin strip (1x 50-position); cable length: 1.5 m

---

## CABLE-D-50SUB/M/OE/0,25/S/2,0M - Cable

2926674

<https://www.phoenixcontact.com/in/products/2926674>



Assembled shielded round cable; connection 1: Single wires (50-position) (The wires are marked and fitted with ferrules. The braided shield is routed to a separate cable end.); connection 2: D-SUB pin strip (1x 50-position); cable length: 2 m

# VIP-3/SC/D50SUB/F/LED - Interface module

2322236

<https://www.phoenixcontact.com/in/products/2322236>

## CABLE-D-50SUB/M/OE/0,25/S/3,0M - Cable

2926687

<https://www.phoenixcontact.com/in/products/2926687>



Assembled shielded round cable; connection 1: Single wires (50-position) (The wires are marked and fitted with ferrules. The braided shield is routed to a separate cable end.); connection 2: D-SUB pin strip (1x 50-position); cable length: 3 m

---

## CABLE-D-50SUB/M/OE/0,25/S/4,0M - Cable

2926690

<https://www.phoenixcontact.com/in/products/2926690>



Assembled shielded round cable; connection 1: Single wires (50-position) (The wires are marked and fitted with ferrules. The braided shield is routed to a separate cable end.); connection 2: D-SUB pin strip (1x 50-position); cable length: 4 m

# VIP-3/SC/D50SUB/F/LED - Interface module

2322236

<https://www.phoenixcontact.com/in/products/2322236>

## CABLE-D-50SUB/M/OE/0,25/S/6,0M - Cable

2926700

<https://www.phoenixcontact.com/in/products/2926700>



Assembled shielded round cable; connection 1: Single wires (50-position) (The wires are marked and fitted with ferrules. The braided shield is routed to a separate cable end.); connection 2: D-SUB pin strip (1x 50-position); cable length: 6 m

---

## CABLE-D-50SUB-M-OE-0,25-S/... - Cable

2900913

<https://www.phoenixcontact.com/in/products/2900913>



Assembled shielded round cable; connection 1: Single wires (50-position) (The wires are marked and fitted with ferrules. The braided shield is routed to a separate cable end.); connection 2: D-SUB pin strip (1x 50-position); cable length: variable

# VIP-3/SC/D50SUB/F/LED - Interface module



2322236

<https://www.phoenixcontact.com/in/products/2322236>

## CABLE-D50SUB/S/S/100/KONFEK/S - Cable

2305693

<https://www.phoenixcontact.com/in/products/2305693>



Assembled shielded round cable; connection 1: D-SUB pin strip (1x 50-position);  
connection 2: D-SUB pin strip (1x 50-position); cable length: 1 m

---

## CABLE-D50SUB/S/S/200/KONFEK/S - Cable

2305703

<https://www.phoenixcontact.com/in/products/2305703>



Assembled shielded round cable; connection 1: D-SUB pin strip (1x 50-position);  
connection 2: D-SUB pin strip (1x 50-position); cable length: 2 m

# VIP-3/SC/D50SUB/F/LED - Interface module

2322236

<https://www.phoenixcontact.com/in/products/2322236>

## CABLE-D50SUB/S/S/300/KONFEK/S - Cable

2305716

<https://www.phoenixcontact.com/in/products/2305716>



Assembled shielded round cable; connection 1: D-SUB pin strip (1x 50-position); connection 2: D-SUB pin strip (1x 50-position); cable length: 3 m

---

## CABLE-D50SUB/S/S/HF/S/ 1,0M - Cable

1066682

<https://www.phoenixcontact.com/in/products/1066682>



Assembled, shielded, halogen-free round cable; connection 1: D-SUB pin strip (1x 50-position); connection 2: D-SUB pin strip (1x 50-position); cable length: 1 m

# VIP-3/SC/D50SUB/F/LED - Interface module

2322236

<https://www.phoenixcontact.com/in/products/2322236>

## CABLE-D50SUB/S/S/HF/S/ 2,0M - Cable

1066683

<https://www.phoenixcontact.com/in/products/1066683>



Assembled, shielded, halogen-free round cable; connection 1: D-SUB pin strip (1x 50-position); connection 2: D-SUB pin strip (1x 50-position); cable length: 2 m

---

## CABLE-D50SUB/S/S/HF/S/ 3,0M - Cable

1066684

<https://www.phoenixcontact.com/in/products/1066684>



Assembled, shielded, halogen-free round cable; connection 1: D-SUB pin strip (1x 50-position); connection 2: D-SUB pin strip (1x 50-position); cable length: 3 m

# VIP-3/SC/D50SUB/F/LED - Interface module



2322236

<https://www.phoenixcontact.com/in/products/2322236>

## CABLE-D50SUB-S-S-HF-S/... - Cable

1075553

<https://www.phoenixcontact.com/in/products/1075553>



Assembled, shielded, halogen-free round cable; connection 1: D-SUB pin strip (1x 50-position); connection 2: D-SUB pin strip (1x 50-position); cable length: variable

---

Phoenix Contact 2023 © - all rights reserved

<https://www.phoenixcontact.com>

PHOENIX CONTACT (I) Pvt. Ltd.

A-58/2, Okhla Industrial Area, Phase - II, New Delhi-110 020

+91.1275.71420

[info@phoenixcontact.co.in](mailto:info@phoenixcontact.co.in)