

VIP-3/SC/D25SUB/F/LED - Interface module



2322210

<https://www.phoenixcontact.com/in/products/2322210>

Please be informed that the data shown in this PDF document is generated from our Online Catalog. Please find the complete data in the user documentation. Our General Terms of Use for Downloads are valid.



VARIOFACE module, with screw connection and D-Subminiature socket strip, for mounting on NS 35 rails, with LED, 25-pos.

Your advantages

- 9-pos. ... 50-pos.
- Metal foot
- In accordance with IEC 60603-13
- Screw connection
- 1:1 connection

Commercial Data

Item number	2322210
Packing unit	1 pc
Minimum order quantity	1 pc
Sales Key	CK2
Product Key	CK2422
Catalog Page	Page 571 (C-5-2017)
GTIN	4046356451833
Weight per Piece (including packing)	152.3 g
Weight per Piece (excluding packing)	152.3 g
Customs tariff number	85366990
Country of origin	US

VIP-3/SC/D25SUB/F/LED - Interface module



2322210

<https://www.phoenixcontact.com/in/products/2322210>

Technical Data

Product properties

Product type	Interface module
Product family	VARIOFACE Professional
Number of positions	25

Insulation characteristics

Overvoltage category	II
Pollution degree	2

Electrical properties

Nominal voltage U_N	24 V DC
Max. current carrying capacity per branch	2.5 A

Connection data

Field level

Connection in acc. with standard	IEC / EN
Connection method	Screw connection
Stripping length	8 mm
Screw thread	M3
Conductor cross section rigid	0.2 mm ² ... 4 mm ²
Conductor cross section flexible	0.2 mm ² ... 2.5 mm ²
Conductor cross section AWG	24 ... 12

Controller level

Connection method	D-SUB socket strip
Number of connections	1
Number of positions	25

Signaling

Status display	LED
Status display present	Yes

Dimensions

Width	57.4 mm
Height	69 mm
Depth	62 mm

Material specifications

Flammability rating according to UL 94	V0
Housing insulation material	Polyamide 6 green

Environmental and real-life conditions

VIP-3/SC/D25SUB/F/LED - Interface module



2322210

<https://www.phoenixcontact.com/in/products/2322210>

Ambient conditions

Ambient temperature (operation)	-20 °C ... 50 °C
Ambient temperature (storage/transport)	-20 °C ... 70 °C

Standards and regulations

Standards/regulations	IEC 60664
	DIN EN 50178

Mounting

Mounting type	DIN rail mounting
Mounting position	any

VIP-3/SC/D25SUB/F/LED - Interface module

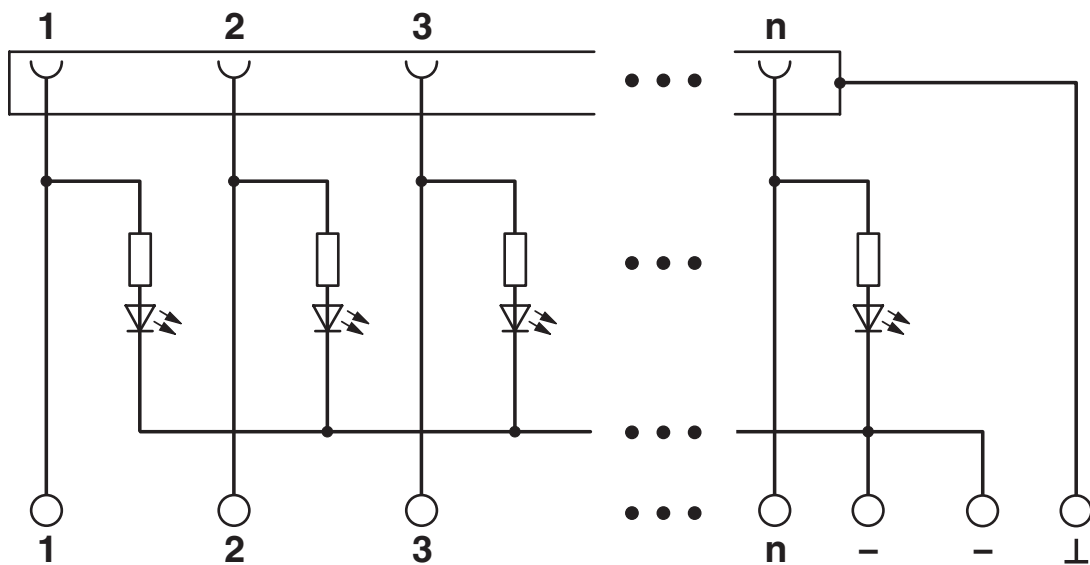


2322210

<https://www.phoenixcontact.com/in/products/2322210>

Drawings

Circuit diagram



VIP-3/SC/D25SUB/F/LED - Interface module



2322210

<https://www.phoenixcontact.com/in/products/2322210>

Approvals

 CSA Approval ID: 2122203				
	Nominal Voltage U_N	Nominal Current I_N	Cross Section AWG	Cross Section mm^2
	24 V	2 A	28 - 12	-

 cUL Recognized Approval ID: FILE E 238705				
	Nominal Voltage U_N	Nominal Current I_N	Cross Section AWG	Cross Section mm^2
	24 V	2 A	30 - 12	-

 UL Recognized Approval ID: FILE E 238705				
	Nominal Voltage U_N	Nominal Current I_N	Cross Section AWG	Cross Section mm^2
	24 V	2 A	30 - 12	-

 CSAus Approval ID: 2122203				
	Nominal Voltage U_N	Nominal Current I_N	Cross Section AWG	Cross Section mm^2
	24 V	2 A	28 - 12	-

VIP-3/SC/D25SUB/F/LED - Interface module



2322210

<https://www.phoenixcontact.com/in/products/2322210>

Classifications

ECLASS

ECLASS-11.0	27141152
ECLASS-12.0	27141152
ECLASS-13.0	27141152

ETIM

ETIM 8.0	EC002780
----------	----------

UNSPSC

UNSPSC 21.0	39121400
-------------	----------

VIP-3/SC/D25SUB/F/LED - Interface module



2322210

<https://www.phoenixcontact.com/in/products/2322210>

Environmental Product Compliance

REACH SVHC	Lead 7439-92-1
China RoHS	Environmentally Friendly Use Period = 50 years
	For information on hazardous substances, refer to the manufacturer's declaration available under "Downloads"

VIP-3/SC/D25SUB/F/LED - Interface module



2322210

<https://www.phoenixcontact.com/in/products/2322210>

Accessories

CABLE D-SUB-S/.../.../... - Cable

2302340

<https://www.phoenixcontact.com/in/products/2302340>



Shielded round cable, assembled with one D-SUB female and pin strip (9-, 15-, 25-, 37-, or 50-pos.), variable cable length

CABLE D-SUB-S-S-S/.../.../... - Cable

2302434

<https://www.phoenixcontact.com/in/products/2302434>



Shielded round cable, assembled with two D-SUB pin strips (9-, 15-, 25-, 37-, or 50-pos.), variable cable length

VIP-3/SC/D25SUB/F/LED - Interface module



2322210

<https://www.phoenixcontact.com/in/products/2322210>

UC-TM 4 - Marker for terminal blocks

0818111

<https://www.phoenixcontact.com/in/products/0818111>



Marker for terminal blocks, Sheet, white, unlabeled, can be labeled with: BLUEMARK ID COLOR, BLUEMARK ID, BLUEMARK CLED, PLOTMARK, CMS-P1-PLOTTER, mounting type: snapped, for terminal block width: 4.2 mm, lettering field size: 3.6 x 10.5 mm, Number of individual labels: 120

UC-TM 6 - Marker for terminal blocks

0818085

<https://www.phoenixcontact.com/in/products/0818085>



Marker for terminal blocks, Sheet, white, unlabeled, can be labeled with: BLUEMARK ID COLOR, BLUEMARK ID, BLUEMARK CLED, PLOTMARK, CMS-P1-PLOTTER, mounting type: snapped, for terminal block width: 6.2 mm, lettering field size: 5.6 x 10.5 mm, Number of individual labels: 80

VIP-3/SC/D25SUB/F/LED - Interface module



2322210

<https://www.phoenixcontact.com/in/products/2322210>

UCT-TM 6 - Marker for terminal blocks

0828736

<https://www.phoenixcontact.com/in/products/0828736>



Marker for terminal blocks, Sheet, white, unlabeled, can be labeled with: TOPMARK NEO, TOPMARK LASER, BLUEMARK ID COLOR, BLUEMARK ID, BLUEMARK CLED, THERMOMARK PRIME, THERMOMARK CARD 2.0, THERMOMARK CARD, mounting type: snapped, for terminal block width: 6.2 mm, lettering field size: 5.6 x 10.5 mm, Number of individual labels: 60

ZB 5,08:UNBEDRUCKT - Zack marker strip

0809793

<https://www.phoenixcontact.com/in/products/0809793>



Zack marker strip, Strip, white, unlabeled, can be labeled with: PLOTMARK, CMS-P1-PLOTTER, mounting type: snapped, for terminal block width: 5.08 mm, lettering field size: 4.98 x 10.5 mm, Number of individual labels: 10

VIP-3/SC/D25SUB/F/LED - Interface module



2322210

<https://www.phoenixcontact.com/in/products/2322210>

ZB 22:UNBEDRUCKT - Zack marker strip

0811862

<https://www.phoenixcontact.com/in/products/0811862>



Zack marker strip, Strip, white, unlabeled, can be labeled with: PLOTMARK, CMS-P1-PLOTTER, mounting type: snapped, for terminal block width: 22 mm, lettering field size: 10.5 x 21.8 mm, Number of individual labels: 4

CABLE-D25SUB/B/S/ 50/KONFEK/S - Cable

2302120

<https://www.phoenixcontact.com/in/products/2302120>



Assembled shielded round cable; connection 1: D-SUB socket strip (1x 25-position); connection 2: D-SUB pin strip (1x 25-position); cable length: 0.5 m

VIP-3/SC/D25SUB/F/LED - Interface module



2322210

<https://www.phoenixcontact.com/in/products/2322210>

CABLE-D25SUB/B/S/100/KONFEK/S - Cable

2302133

<https://www.phoenixcontact.com/in/products/2302133>



Assembled shielded round cable; connection 1: D-SUB socket strip (1x 25-position); connection 2: D-SUB pin strip (1x 25-position); cable length: 1 m

CABLE-D25SUB/B/S/150/KONFEK/S - Cable

2302146

<https://www.phoenixcontact.com/in/products/2302146>



Assembled shielded round cable; connection 1: D-SUB socket strip (1x 25-position); connection 2: D-SUB pin strip (1x 25-position); cable length: 1.5 m

VIP-3/SC/D25SUB/F/LED - Interface module



2322210

<https://www.phoenixcontact.com/in/products/2322210>

CABLE-D25SUB/B/S/200/KONFEK/S - Cable

2302159

<https://www.phoenixcontact.com/in/products/2302159>



Assembled shielded round cable; connection 1: D-SUB socket strip (1x 25-position); connection 2: D-SUB pin strip (1x 25-position); cable length: 2 m

CABLE-D25SUB/B/S/300/KONFEK/S - Cable

2302162

<https://www.phoenixcontact.com/in/products/2302162>



Assembled shielded round cable; connection 1: D-SUB socket strip (1x 25-position); connection 2: D-SUB pin strip (1x 25-position); cable length: 3 m

VIP-3/SC/D25SUB/F/LED - Interface module



2322210

<https://www.phoenixcontact.com/in/products/2322210>

CABLE-D25SUB/B/S/400/KONFEK/S - Cable

2302175

<https://www.phoenixcontact.com/in/products/2302175>



Assembled shielded round cable; connection 1: D-SUB socket strip (1x 25-position); connection 2: D-SUB pin strip (1x 25-position); cable length: 4 m

CABLE-D25SUB/B/S/600/KONFEK/S - Cable

2302188

<https://www.phoenixcontact.com/in/products/2302188>



Assembled shielded round cable; connection 1: D-SUB socket strip (1x 25-position); connection 2: D-SUB pin strip (1x 25-position); cable length: 6 m

VIP-3/SC/D25SUB/F/LED - Interface module

2322210

<https://www.phoenixcontact.com/in/products/2322210>

CABLE-D25SUB/B/S/HF/S/ 1,0M - Cable

1066665

<https://www.phoenixcontact.com/in/products/1066665>



Assembled, shielded, halogen-free round cable; connection 1: D-SUB socket strip (1x 25-position); connection 2: D-SUB pin strip (1x 25-position); cable length: 1 m

CABLE-D25SUB/B/S/HF/S/ 2,0M - Cable

1066666

<https://www.phoenixcontact.com/in/products/1066666>



Assembled, shielded, halogen-free round cable; connection 1: D-SUB socket strip (1x 25-position); connection 2: D-SUB pin strip (1x 25-position); cable length: 2 m

VIP-3/SC/D25SUB/F/LED - Interface module

2322210

<https://www.phoenixcontact.com/in/products/2322210>

CABLE-D25SUB/B/S/HF/S/ 3,0M - Cable

1066667

<https://www.phoenixcontact.com/in/products/1066667>



Assembled, shielded, halogen-free round cable; connection 1: D-SUB socket strip (1x 25-position); connection 2: D-SUB pin strip (1x 25-position); cable length: 3 m

CABLE-D25SUB-B-S-HF-S/... - Cable

1075559

<https://www.phoenixcontact.com/in/products/1075559>



Assembled, shielded, halogen-free round cable; connection 1: D-SUB socket strip (1x 25-position); connection 2: D-SUB pin strip (1x 25-position); cable length: variable

VIP-3/SC/D25SUB/F/LED - Interface module



2322210

<https://www.phoenixcontact.com/in/products/2322210>

CABLE-D-25SUB/M/OE/0,25/S/0,5M - Cable

2926506

<https://www.phoenixcontact.com/in/products/2926506>



Assembled shielded round cable; connection 1: Single wires (25-position) (The wires are marked and fitted with ferrules. The braided shield is routed to a separate cable end.); connection 2: D-SUB pin strip (1x 25-position); cable length: 0.5 m

CABLE-D-25SUB/M/OE/0,25/S/1,0M - Cable

2926519

<https://www.phoenixcontact.com/in/products/2926519>



Assembled shielded round cable; connection 1: Single wires (25-position) (The wires are marked and fitted with ferrules. The braided shield is routed to a separate cable end.); connection 2: D-SUB pin strip (1x 25-position); cable length: 1 m

VIP-3/SC/D25SUB/F/LED - Interface module



2322210

<https://www.phoenixcontact.com/in/products/2322210>

CABLE-D-25SUB/M/OE/0,25/S/1,5M - Cable

2926522

<https://www.phoenixcontact.com/in/products/2926522>



Assembled shielded round cable; connection 1: Single wires (25-position) (The wires are marked and fitted with ferrules. The braided shield is routed to a separate cable end.); connection 2: D-SUB pin strip (1x 25-position); cable length: 1.5 m

CABLE-D-25SUB/M/OE/0,25/S/2,0M - Cable

2926535

<https://www.phoenixcontact.com/in/products/2926535>



Assembled shielded round cable; connection 1: Single wires (25-position) (The wires are marked and fitted with ferrules. The braided shield is routed to a separate cable end.); connection 2: D-SUB pin strip (1x 25-position); cable length: 2 m

VIP-3/SC/D25SUB/F/LED - Interface module



2322210

<https://www.phoenixcontact.com/in/products/2322210>

CABLE-D-25SUB/M/OE/0,25/S/3,0M - Cable

2926548

<https://www.phoenixcontact.com/in/products/2926548>



Assembled shielded round cable; connection 1: Single wires (25-position) (The wires are marked and fitted with ferrules. The braided shield is routed to a separate cable end.); connection 2: D-SUB pin strip (1x 25-position); cable length: 3 m

CABLE-D-25SUB/M/OE/0,25/S/4,0M - Cable

2926551

<https://www.phoenixcontact.com/in/products/2926551>



Assembled shielded round cable; connection 1: Single wires (25-position) (The wires are marked and fitted with ferrules. The braided shield is routed to a separate cable end.); connection 2: D-SUB pin strip (1x 25-position); cable length: 4 m

VIP-3/SC/D25SUB/F/LED - Interface module

2322210

<https://www.phoenixcontact.com/in/products/2322210>

CABLE-D-25SUB/M/OE/0,25/S/6,0M - Cable

2926564

<https://www.phoenixcontact.com/in/products/2926564>



Assembled shielded round cable; connection 1: Single wires (25-position) (The wires are marked and fitted with ferrules. The braided shield is routed to a separate cable end.); connection 2: D-SUB pin strip (1x 25-position); cable length: 6 m

CABLE-D-25SUB-M-OE-0,25-S/... - Cable

2900911

<https://www.phoenixcontact.com/in/products/2900911>



Assembled shielded round cable; connection 1: Single wires (25-position) (The wires are marked and fitted with ferrules. The braided shield is routed to a separate cable end.); connection 2: D-SUB pin strip (1x 25-position); cable length: variable

VIP-3/SC/D25SUB/F/LED - Interface module



2322210

<https://www.phoenixcontact.com/in/products/2322210>

CABLE-D25SUB/S/S/100/KONFEK/S - Cable

2305635

<https://www.phoenixcontact.com/in/products/2305635>



Assembled shielded round cable; connection 1: D-SUB pin strip (1x 25-position);
connection 2: D-SUB pin strip (1x 25-position); cable length: 1 m

CABLE-D25SUB/S/S/150/KONFEK/S - Cable

2304607

<https://www.phoenixcontact.com/in/products/2304607>



Assembled shielded round cable; connection 1: D-SUB pin strip (1x 25-position);
connection 2: D-SUB pin strip (1x 25-position); cable length: 1.5 m

VIP-3/SC/D25SUB/F/LED - Interface module



2322210

<https://www.phoenixcontact.com/in/products/2322210>

CABLE-D25SUB/S/S/200/KONFEK/S - Cable

2305648

<https://www.phoenixcontact.com/in/products/2305648>



Assembled shielded round cable; connection 1: D-SUB pin strip (1x 25-position); connection 2: D-SUB pin strip (1x 25-position); cable length: 2 m

CABLE-D25SUB/S/S/300/KONFEK/S - Cable

2305651

<https://www.phoenixcontact.com/in/products/2305651>



Assembled shielded round cable; connection 1: D-SUB pin strip (1x 25-position); connection 2: D-SUB pin strip (1x 25-position); cable length: 3 m

VIP-3/SC/D25SUB/F/LED - Interface module



2322210

<https://www.phoenixcontact.com/in/products/2322210>

CABLE-D25SUB/S/S/HF/S/ 1,0M - Cable

1066668

<https://www.phoenixcontact.com/in/products/1066668>



Assembled, shielded, halogen-free round cable; connection 1: D-SUB pin strip (1x 25-position); connection 2: D-SUB pin strip (1x 25-position); cable length: 1 m

CABLE-D25SUB/S/S/HF/S/ 2,0M - Cable

1066669

<https://www.phoenixcontact.com/in/products/1066669>



Assembled, shielded, halogen-free round cable; connection 1: D-SUB pin strip (1x 25-position); connection 2: D-SUB pin strip (1x 25-position); cable length: 2 m

VIP-3/SC/D25SUB/F/LED - Interface module



2322210

<https://www.phoenixcontact.com/in/products/2322210>

CABLE-D25SUB/S/S/HF/S/ 3,0M - Cable

1066671

<https://www.phoenixcontact.com/in/products/1066671>



Assembled, shielded, halogen-free round cable; connection 1: D-SUB pin strip (1x 25-position); connection 2: D-SUB pin strip (1x 25-position); cable length: 3 m

CABLE-D25SUB-S-S-HF-S/... - Cable

1075558

<https://www.phoenixcontact.com/in/products/1075558>



Assembled, shielded, halogen-free round cable; connection 1: D-SUB pin strip (1x 25-position); connection 2: D-SUB pin strip (1x 25-position); cable length: variable

Phoenix Contact 2023 © - all rights reserved
<https://www.phoenixcontact.com>

PHOENIX CONTACT (I) Pvt. Ltd.
A-58/2, Okhla Industrial Area, Phase - II, New Delhi-110 020

+91.1275.71420
info@phoenixcontact.co.in