

VIP-2/SC/D15SUB/F/LED - Interface module



2322207

<https://www.phoenixcontact.com/in/products/2322207>

Please be informed that the data shown in this PDF document is generated from our Online Catalog. Please find the complete data in the user documentation. Our General Terms of Use for Downloads are valid.



VARIOFACE module, with screw connection and D-Subminiature socket strip, for mounting on NS 35 rails, with LED, 15-pos.

Your advantages

- 9-pos. ... 50-pos.
- Metal foot
- In accordance with IEC 60603-13
- 1:1 connection
- Screw connection

Commercial Data

Item number	2322207
Packing unit	1 pc
Minimum order quantity	1 pc
Note	Made to Order (non-returnable)
Sales Key	CK2
Product Key	CK2422
Catalog Page	Page 571 (C-5-2017)
GTIN	4046356451826
Weight per Piece (including packing)	117 g
Weight per Piece (excluding packing)	117 g
Customs tariff number	85366990
Country of origin	US

2322207

<https://www.phoenixcontact.com/in/products/2322207>

Technical Data

Product properties

Product type	Interface module
Product family	VARIOFACE Professional
Number of positions	15

Insulation characteristics

Overvoltage category	II
Pollution degree	2

Electrical properties

Nominal voltage U_N	24 V DC
Max. current carrying capacity per branch	2.5 A

Connection data

Field level

Connection in acc. with standard	IEC / EN
Connection method	Screw connection
Stripping length	8 mm
Screw thread	M3
Conductor cross section rigid	0.2 mm ² ... 4 mm ²
Conductor cross section flexible	0.2 mm ² ... 2.5 mm ²
Conductor cross section AWG	24 ... 12

Controller level

Connection method	D-SUB socket strip
Number of connections	1
Number of positions	15

Signaling

Status display	LED
Status display present	Yes

Dimensions

Width	50 mm
Height	65.5 mm
Depth	45.1 mm

Material specifications

Flammability rating according to UL 94	V0
Housing insulation material	Polyamide 6 green

Environmental and real-life conditions

VIP-2/SC/D15SUB/F/LED - Interface module



2322207

<https://www.phoenixcontact.com/in/products/2322207>

Ambient conditions

Ambient temperature (operation)	-20 °C ... 50 °C
Ambient temperature (storage/transport)	-20 °C ... 70 °C

Standards and regulations

Standards/regulations	IEC 60664
	DIN EN 50178

Mounting

Mounting type	DIN rail mounting
Mounting position	any

VIP-2/SC/D15SUB/F/LED - Interface module

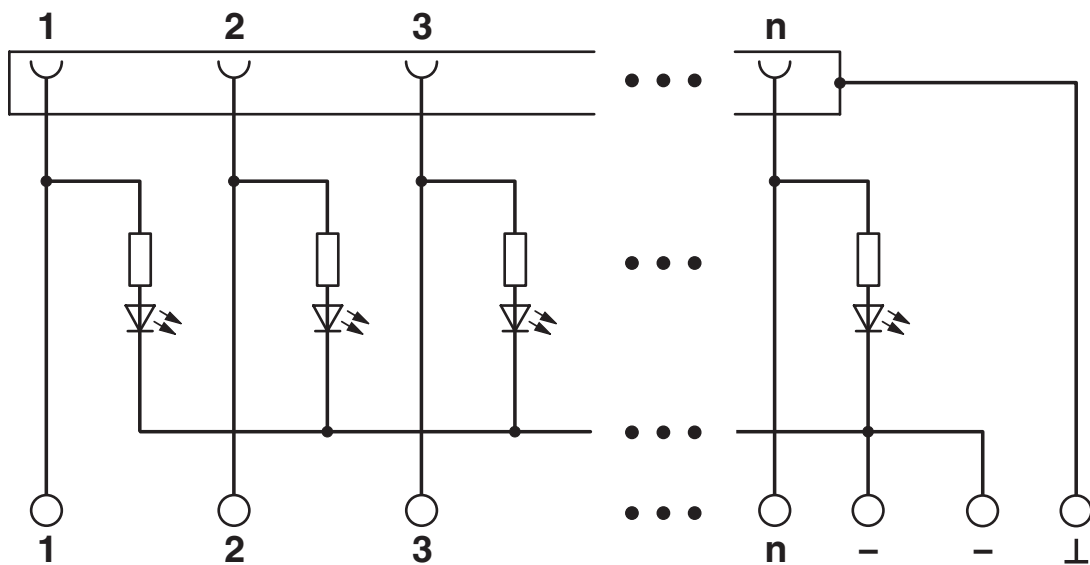


2322207

<https://www.phoenixcontact.com/in/products/2322207>

Drawings

Circuit diagram



VIP-2/SC/D15SUB/F/LED - Interface module




2322207


<https://www.phoenixcontact.com/in/products/2322207>

Approvals

 CSA Approval ID: 2122203				
	Nominal Voltage U_N	Nominal Current I_N	Cross Section AWG	Cross Section mm^2
	24 V	2 A	28 - 12	-

 cUL Recognized Approval ID: FILE E 238705				
	Nominal Voltage U_N	Nominal Current I_N	Cross Section AWG	Cross Section mm^2
	24 V	2 A	30 - 12	-

 UL Recognized Approval ID: FILE E 238705				
	Nominal Voltage U_N	Nominal Current I_N	Cross Section AWG	Cross Section mm^2
	24 V	2 A	30 - 12	-

 CSAus Approval ID: 2122203				
	Nominal Voltage U_N	Nominal Current I_N	Cross Section AWG	Cross Section mm^2
	24 V	2 A	28 - 12	-

VIP-2/SC/D15SUB/F/LED - Interface module



2322207

<https://www.phoenixcontact.com/in/products/2322207>

Classifications

ECLASS

ECLASS-11.0	27141152
ECLASS-13.0	27141152
ECLASS-12.0	27141152

ETIM

ETIM 8.0	EC002780
----------	----------

UNSPSC

UNSPSC 21.0	39121400
-------------	----------

VIP-2/SC/D15SUB/F/LED - Interface module



2322207

<https://www.phoenixcontact.com/in/products/2322207>

Environmental Product Compliance

REACH SVHC	Lead 7439-92-1
China RoHS	Environmentally Friendly Use Period = 50 years
	For information on hazardous substances, refer to the manufacturer's declaration available under "Downloads"

VIP-2/SC/D15SUB/F/LED - Interface module



2322207

<https://www.phoenixcontact.com/in/products/2322207>

Accessories

CABLE D-SUB-S/.../.../... - Cable

2302340

<https://www.phoenixcontact.com/in/products/2302340>



Shielded round cable, assembled with one D-SUB female and pin strip (9-, 15-, 25-, 37-, or 50-pos.), variable cable length

CABLE D-SUB-S-S-S/.../.../... - Cable

2302434

<https://www.phoenixcontact.com/in/products/2302434>



Shielded round cable, assembled with two D-SUB pin strips (9-, 15-, 25-, 37-, or 50-pos.), variable cable length

VIP-2/SC/D15SUB/F/LED - Interface module



2322207

<https://www.phoenixcontact.com/in/products/2322207>

CABLE-D15SUB/B/S/ 50/KONFEK/S - Cable

2302052

<https://www.phoenixcontact.com/in/products/2302052>



Assembled shielded round cable; connection 1: D-SUB socket strip (1x 15-position); connection 2: D-SUB pin strip (1x 15-position); cable length: 0.5 m

CABLE-D15SUB/B/S/100/KONFEK/S - Cable

2302065

<https://www.phoenixcontact.com/in/products/2302065>



Assembled shielded round cable; connection 1: D-SUB socket strip (1x 15-position); connection 2: D-SUB pin strip (1x 15-position); cable length: 1 m

VIP-2/SC/D15SUB/F/LED - Interface module



2322207

<https://www.phoenixcontact.com/in/products/2322207>

CABLE-D15SUB/B/S/150/KONFEK/S - Cable

2302078

<https://www.phoenixcontact.com/in/products/2302078>



Assembled shielded round cable; connection 1: D-SUB socket strip (1x 15-position); connection 2: D-SUB pin strip (1x 15-position); cable length: 1.5 m

CABLE-D15SUB/B/S/200/KONFEK/S - Cable

2302081

<https://www.phoenixcontact.com/in/products/2302081>



Assembled shielded round cable; connection 1: D-SUB socket strip (1x 15-position); connection 2: D-SUB pin strip (1x 15-position); cable length: 2 m

VIP-2/SC/D15SUB/F/LED - Interface module



2322207

<https://www.phoenixcontact.com/in/products/2322207>

CABLE-D15SUB/B/S/300/KONFEK/S - Cable

2302094

<https://www.phoenixcontact.com/in/products/2302094>



Assembled shielded round cable; connection 1: D-SUB socket strip (1x 15-position); connection 2: D-SUB pin strip (1x 15-position); cable length: 3 m

CABLE-D15SUB/B/S/400/KONFEK/S - Cable

2302104

<https://www.phoenixcontact.com/in/products/2302104>



Assembled shielded round cable; connection 1: D-SUB socket strip (1x 15-position); connection 2: D-SUB pin strip (1x 15-position); cable length: 4 m

VIP-2/SC/D15SUB/F/LED - Interface module



2322207

<https://www.phoenixcontact.com/in/products/2322207>

CABLE-D15SUB/B/S/600/KONFEK/S - Cable

2302117

<https://www.phoenixcontact.com/in/products/2302117>



Assembled shielded round cable; connection 1: D-SUB socket strip (1x 15-position); connection 2: D-SUB pin strip (1x 15-position); cable length: 6 m

CABLE-D15SUB/B/S/HF/S/ 1,0M - Cable

1066600

<https://www.phoenixcontact.com/in/products/1066600>



Assembled, shielded, halogen-free round cable; connection 1: D-SUB socket strip (1x 15-position); connection 2: D-SUB pin strip (1x 15-position); cable length: 1 m

VIP-2/SC/D15SUB/F/LED - Interface module



2322207

<https://www.phoenixcontact.com/in/products/2322207>

CABLE-D15SUB/B/S/HF/S/ 2,0M - Cable

1066602

<https://www.phoenixcontact.com/in/products/1066602>



Assembled, shielded, halogen-free round cable; connection 1: D-SUB socket strip (1x 15-position); connection 2: D-SUB pin strip (1x 15-position); cable length: 2 m

CABLE-D15SUB/B/S/HF/S/ 3,0M - Cable

1066603

<https://www.phoenixcontact.com/in/products/1066603>



Assembled, shielded, halogen-free round cable; connection 1: D-SUB socket strip (1x 15-position); connection 2: D-SUB pin strip (1x 15-position); cable length: 3 m

VIP-2/SC/D15SUB/F/LED - Interface module

2322207

<https://www.phoenixcontact.com/in/products/2322207>

CABLE-D15SUB-B-S-HF-S/... - Cable

1075565

<https://www.phoenixcontact.com/in/products/1075565>



Assembled, shielded, halogen-free round cable; connection 1: D-SUB socket strip (1x 15-position); connection 2: D-SUB pin strip (1x 15-position); cable length: variable

CABLE-D-15SUB/M/OE/0,25/S/0,5M - Cable

2926438

<https://www.phoenixcontact.com/in/products/2926438>



Assembled shielded round cable; connection 1: Single wires (15-position) (The wires are marked and fitted with ferrules. The braided shield is routed to a separate cable end.); connection 2: D-SUB pin strip (1x 15-position); cable length: 0.5 m

VIP-2/SC/D15SUB/F/LED - Interface module

2322207

<https://www.phoenixcontact.com/in/products/2322207>

CABLE-D-15SUB/M/OE/0,25/S/1,0M - Cable

2926441

<https://www.phoenixcontact.com/in/products/2926441>



Assembled shielded round cable; connection 1: Single wires (15-position) (The wires are marked and fitted with ferrules. The braided shield is routed to a separate cable end.); connection 2: D-SUB pin strip (1x 15-position); cable length: 1 m

CABLE-D-15SUB/M/OE/0,25/S/1,5M - Cable

2926454

<https://www.phoenixcontact.com/in/products/2926454>



Assembled shielded round cable; connection 1: Single wires (15-position) (The wires are marked and fitted with ferrules. The braided shield is routed to a separate cable end.); connection 2: D-SUB pin strip (1x 15-position); cable length: 1.5 m

VIP-2/SC/D15SUB/F/LED - Interface module

2322207

<https://www.phoenixcontact.com/in/products/2322207>

CABLE-D-15SUB/M/OE/0,25/S/2,0M - Cable

2926467

<https://www.phoenixcontact.com/in/products/2926467>



Assembled shielded round cable; connection 1: Single wires (15-position) (The wires are marked and fitted with ferrules. The braided shield is routed to a separate cable end.); connection 2: D-SUB pin strip (1x 15-position); cable length: 2 m

CABLE-D-15SUB/M/OE/0,25/S/3,0M - Cable

2926470

<https://www.phoenixcontact.com/in/products/2926470>



Assembled shielded round cable; connection 1: Single wires (15-position) (The wires are marked and fitted with ferrules. The braided shield is routed to a separate cable end.); connection 2: D-SUB pin strip (1x 15-position); cable length: 3 m

VIP-2/SC/D15SUB/F/LED - Interface module

2322207

<https://www.phoenixcontact.com/in/products/2322207>

CABLE-D-15SUB/M/OE/0,25/S/4,0M - Cable

2926483

<https://www.phoenixcontact.com/in/products/2926483>



Assembled shielded round cable; connection 1: Single wires (15-position) (The wires are marked and fitted with ferrules. The braided shield is routed to a separate cable end.); connection 2: D-SUB pin strip (1x 15-position); cable length: 4 m

CABLE-D-15SUB/M/OE/0,25/S/6,0M - Cable

2926496

<https://www.phoenixcontact.com/in/products/2926496>



Assembled shielded round cable; connection 1: Single wires (15-position) (The wires are marked and fitted with ferrules. The braided shield is routed to a separate cable end.); connection 2: D-SUB pin strip (1x 15-position); cable length: 6 m

VIP-2/SC/D15SUB/F/LED - Interface module



2322207

<https://www.phoenixcontact.com/in/products/2322207>

CABLE-D-15SUB-M-OE-0,25-S/... - Cable

2900910

<https://www.phoenixcontact.com/in/products/2900910>



Assembled shielded round cable; connection 1: Single wires (15-position) (The wires are marked and fitted with ferrules. The braided shield is routed to a separate cable end.); connection 2: D-SUB pin strip (1x 15-position); cable length: variable

CABLE-D15SUB/S/S/100/KONFEK/S - Cable

2305606

<https://www.phoenixcontact.com/in/products/2305606>



Assembled shielded round cable; connection 1: D-SUB pin strip (1x 15-position); connection 2: D-SUB pin strip (1x 15-position); cable length: 1 m

VIP-2/SC/D15SUB/F/LED - Interface module



2322207

<https://www.phoenixcontact.com/in/products/2322207>

CABLE-D15SUB/S/S/200/KONFEK/S - Cable

2305619

<https://www.phoenixcontact.com/in/products/2305619>



Assembled shielded round cable; connection 1: D-SUB pin strip (1x 15-position); connection 2: D-SUB pin strip (1x 15-position); cable length: 2 m

CABLE-D15SUB/S/S/300/KONFEK/S - Cable

2305622

<https://www.phoenixcontact.com/in/products/2305622>



Assembled shielded round cable; connection 1: D-SUB pin strip (1x 15-position); connection 2: D-SUB pin strip (1x 15-position); cable length: 3 m

VIP-2/SC/D15SUB/F/LED - Interface module



2322207

<https://www.phoenixcontact.com/in/products/2322207>

CABLE-D15SUB/S/S/HF/S/ 1,0M - Cable

1066604

<https://www.phoenixcontact.com/in/products/1066604>



Assembled, shielded, halogen-free round cable; connection 1: D-SUB pin strip (1x 15-position); connection 2: D-SUB pin strip (1x 15-position); cable length: 1 m

CABLE-D15SUB/S/S/HF/S/ 2,0M - Cable

1066606

<https://www.phoenixcontact.com/in/products/1066606>



Assembled, shielded, halogen-free round cable; connection 1: D-SUB pin strip (1x 15-position); connection 2: D-SUB pin strip (1x 15-position); cable length: 2 m

VIP-2/SC/D15SUB/F/LED - Interface module



2322207

<https://www.phoenixcontact.com/in/products/2322207>

CABLE-D15SUB/S/S/HF/S/ 3,0M - Cable

1066607

<https://www.phoenixcontact.com/in/products/1066607>



Assembled, shielded, halogen-free round cable; connection 1: D-SUB pin strip (1x 15-position); connection 2: D-SUB pin strip (1x 15-position); cable length: 3 m

CABLE-D15SUB-S-S-HF-S/... - Cable

1075564

<https://www.phoenixcontact.com/in/products/1075564>



Assembled, shielded, halogen-free round cable; connection 1: D-SUB pin strip (1x 15-position); connection 2: D-SUB pin strip (1x 15-position); cable length: variable

Phoenix Contact 2023 © - all rights reserved
<https://www.phoenixcontact.com>

PHOENIX CONTACT (I) Pvt. Ltd.
A-58/2, Okhla Industrial Area, Phase - II, New Delhi-110 020

+91.1275.71420
info@phoenixcontact.co.in