

VIP-2/SC/D 9SUB/F/LED - Interface module



2322197

<https://www.phoenixcontact.com/in/products/2322197>

Please be informed that the data shown in this PDF document is generated from our Online Catalog. Please find the complete data in the user documentation. Our General Terms of Use for Downloads are valid.

VARIOFACE module, with screw connection and D-Subminiature socket strip, for mounting on NS 35 rails, with LED, 9-pos.



Your advantages

- 9-pos. ... 50-pos.
- Metal foot
- In accordance with IEC 60603-13
- Screw connection
- 1:1 connection

Commercial Data

Item number	2322197
Packing unit	1 pc
Minimum order quantity	1 pc
Sales Key	CK2
Product Key	CK2422
Catalog Page	Page 571 (C-5-2017)
GTIN	4046356451819
Weight per Piece (including packing)	90.2 g
Weight per Piece (excluding packing)	90.2 g
Customs tariff number	85366990
Country of origin	US

VIP-2/SC/D 9SUB/F/LED - Interface module



2322197

<https://www.phoenixcontact.com/in/products/2322197>

Technical Data

Product properties

Product type	Interface module
Product family	VARIOFACE Professional
Number of positions	9

Insulation characteristics

Overvoltage category	II
Pollution degree	2

Electrical properties

Nominal voltage U_N	24 V DC
Max. current carrying capacity per branch	2.5 A

Connection data

Field level

Connection in acc. with standard	IEC / EN
Connection method	Screw connection
Stripping length	8 mm
Screw thread	M3
Conductor cross section rigid	0.2 mm ² ... 4 mm ²
Conductor cross section flexible	0.2 mm ² ... 2.5 mm ²
Conductor cross section AWG	24 ... 12

Controller level

Connection method	D-SUB socket strip
Number of connections	1
Number of positions	9

Signaling

Status display	LED
Status display present	Yes

Dimensions

Width	34.7 mm
Height	65.5 mm
Depth	45.1 mm

Material specifications

Flammability rating according to UL 94	V0
Housing insulation material	Polyamide 6 green

Environmental and real-life conditions

VIP-2/SC/D 9SUB/F/LED - Interface module



2322197

<https://www.phoenixcontact.com/in/products/2322197>

Ambient conditions

Ambient temperature (operation)	-20 °C ... 50 °C
Ambient temperature (storage/transport)	-20 °C ... 70 °C

Standards and regulations

Standards/regulations	IEC 60664
	DIN EN 50178

Mounting

Mounting type	DIN rail mounting
Mounting position	any

VIP-2/SC/D 9SUB/F/LED - Interface module

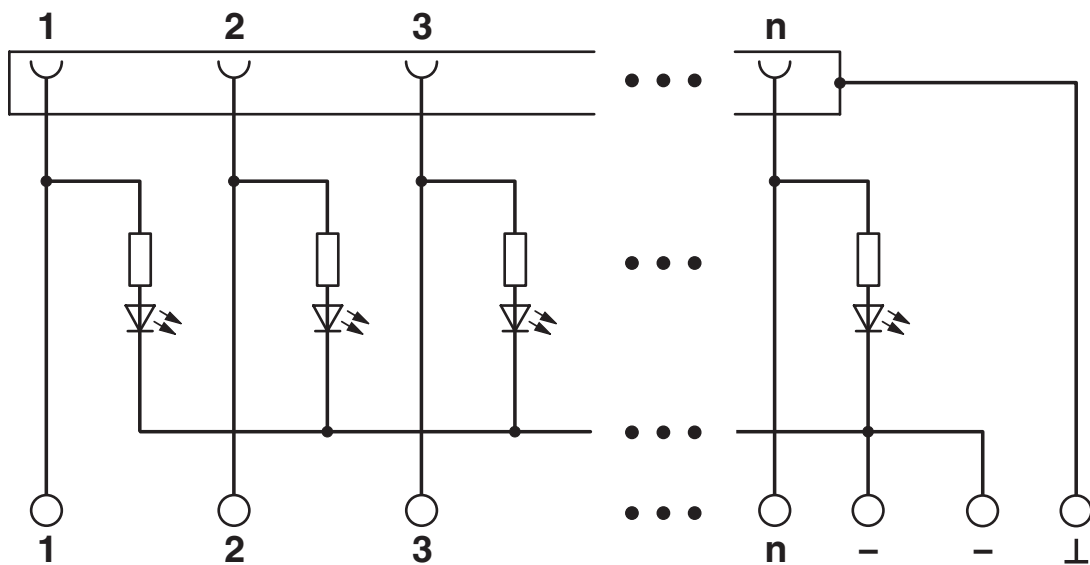


2322197

<https://www.phoenixcontact.com/in/products/2322197>

Drawings

Circuit diagram



VIP-2/SC/D 9SUB/F/LED - Interface module



2322197

<https://www.phoenixcontact.com/in/products/2322197>

Approvals

 CSA Approval ID: 2122203				
	Nominal Voltage U_N	Nominal Current I_N	Cross Section AWG	Cross Section mm^2
	24 V	2 A	28 - 12	-

 cUL Recognized Approval ID: FILE E 238705				
	Nominal Voltage U_N	Nominal Current I_N	Cross Section AWG	Cross Section mm^2
	24 V	2 A	30 - 12	-

 UL Recognized Approval ID: FILE E 238705				
	Nominal Voltage U_N	Nominal Current I_N	Cross Section AWG	Cross Section mm^2
	24 V	2 A	30 - 12	-

 CSAus Approval ID: 2122203				
	Nominal Voltage U_N	Nominal Current I_N	Cross Section AWG	Cross Section mm^2
	24 V	2 A	28 - 12	-

VIP-2/SC/D 9SUB/F/LED - Interface module



2322197

<https://www.phoenixcontact.com/in/products/2322197>

Classifications

ECLASS

ECLASS-11.0	27141152
ECLASS-13.0	27141152
ECLASS-12.0	27141152

ETIM

ETIM 8.0	EC002780
----------	----------

UNSPSC

UNSPSC 21.0	39121400
-------------	----------

VIP-2/SC/D 9SUB/F/LED - Interface module



2322197

<https://www.phoenixcontact.com/in/products/2322197>

Environmental Product Compliance

REACH SVHC	Lead 7439-92-1
China RoHS	Environmentally Friendly Use Period = 50 years
	For information on hazardous substances, refer to the manufacturer's declaration available under "Downloads"

VIP-2/SC/D 9SUB/F/LED - Interface module

2322197

<https://www.phoenixcontact.com/in/products/2322197>

Accessories

CABLE D-SUB-S/.../.../... - Cable

2302340

<https://www.phoenixcontact.com/in/products/2302340>



Shielded round cable, assembled with one D-SUB female and pin strip (9-, 15-, 25-, 37-, or 50-pos.), variable cable length

CABLE D-SUB-S-S-S/.../.../... - Cable

2302434

<https://www.phoenixcontact.com/in/products/2302434>



Shielded round cable, assembled with two D-SUB pin strips (9-, 15-, 25-, 37-, or 50-pos.), variable cable length

VIP-2/SC/D 9SUB/F/LED - Interface module

2322197

<https://www.phoenixcontact.com/in/products/2322197>

CABLE-D 9SUB/B/S/ 50/KONFEK/S - Cable

2299987

<https://www.phoenixcontact.com/in/products/2299987>



Assembled shielded round cable; connection 1: D-SUB socket strip (1x 9-position); connection 2: D-SUB pin strip (1x 9-position); cable length: 0.5 m

CABLE-D 9SUB/B/S/100/KONFEK/S - Cable

2299990

<https://www.phoenixcontact.com/in/products/2299990>



Assembled shielded round cable; connection 1: D-SUB socket strip (1x 9-position); connection 2: D-SUB pin strip (1x 9-position); cable length: 1 m

VIP-2/SC/D 9SUB/F/LED - Interface module



2322197

<https://www.phoenixcontact.com/in/products/2322197>

CABLE-D 9SUB/B/S/150/KONFEK/S - Cable

2300009

<https://www.phoenixcontact.com/in/products/2300009>



Assembled shielded round cable; connection 1: D-SUB socket strip (1x 9-position); connection 2: D-SUB pin strip (1x 9-position); cable length: 1.5 m

CABLE-D 9SUB/B/S/200/KONFEK/S - Cable

2302010

<https://www.phoenixcontact.com/in/products/2302010>



Assembled shielded round cable; connection 1: D-SUB socket strip (1x 9-position); connection 2: D-SUB pin strip (1x 9-position); cable length: 2 m

VIP-2/SC/D 9SUB/F/LED - Interface module



2322197

<https://www.phoenixcontact.com/in/products/2322197>

CABLE-D 9SUB/B/S/300/KONFEK/S - Cable

2302023

<https://www.phoenixcontact.com/in/products/2302023>



Assembled shielded round cable; connection 1: D-SUB socket strip (1x 9-position); connection 2: D-SUB pin strip (1x 9-position); cable length: 3 m

CABLE-D 9SUB/B/S/400/KONFEK/S - Cable

2302036

<https://www.phoenixcontact.com/in/products/2302036>



Assembled shielded round cable; connection 1: D-SUB socket strip (1x 9-position); connection 2: D-SUB pin strip (1x 9-position); cable length: 4 m

VIP-2/SC/D 9SUB/F/LED - Interface module



2322197

<https://www.phoenixcontact.com/in/products/2322197>

CABLE-D 9SUB/B/S/600/KONFEK/S - Cable

2302049

<https://www.phoenixcontact.com/in/products/2302049>



Assembled shielded round cable; connection 1: D-SUB socket strip (1x 9-position); connection 2: D-SUB pin strip (1x 9-position); cable length: 6 m

CABLE-D 9SUB/B/S/HF/S/ 1,0M - Cable

1066591

<https://www.phoenixcontact.com/in/products/1066591>



Assembled, shielded, halogen-free round cable; connection 1: D-SUB socket strip (1x 9-position); connection 2: D-SUB pin strip (1x 9-position); cable length: 1 m

VIP-2/SC/D 9SUB/F/LED - Interface module

2322197

<https://www.phoenixcontact.com/in/products/2322197>

CABLE-D 9SUB/B/S/HF/S/ 2,0M - Cable

1066592

<https://www.phoenixcontact.com/in/products/1066592>



Assembled, shielded, halogen-free round cable; connection 1: D-SUB socket strip (1x 9-position); connection 2: D-SUB pin strip (1x 9-position); cable length: 2 m

CABLE-D 9SUB/B/S/HF/S/ 3,0M - Cable

1066593

<https://www.phoenixcontact.com/in/products/1066593>



Assembled, shielded, halogen-free round cable; connection 1: D-SUB socket strip (1x 9-position); connection 2: D-SUB pin strip (1x 9-position); cable length: 3 m

VIP-2/SC/D 9SUB/F/LED - Interface module

2322197

<https://www.phoenixcontact.com/in/products/2322197>

CABLE-D 9SUB-B-S-HF-S/... - Cable

1075568

<https://www.phoenixcontact.com/in/products/1075568>



Assembled, shielded, halogen-free round cable; connection 1: D-SUB socket strip (1x 9-position); connection 2: D-SUB pin strip (1x 9-position); cable length: variable

CABLE-D- 9SUB/M/OE/0,25/S/0,5M - Cable

2926360

<https://www.phoenixcontact.com/in/products/2926360>



Assembled shielded round cable; connection 1: Single wires (9-position) (The wires are marked and fitted with ferrules. The braided shield is routed to a separate cable end.); connection 2: D-SUB pin strip (1x 9-position); cable length: 0.5 m

VIP-2/SC/D 9SUB/F/LED - Interface module

2322197

<https://www.phoenixcontact.com/in/products/2322197>

CABLE-D- 9SUB/M/OE/0,25/S/1,0M - Cable

2926373

<https://www.phoenixcontact.com/in/products/2926373>



Assembled shielded round cable; connection 1: Single wires (9-position) (The wires are marked and fitted with ferrules. The braided shield is routed to a separate cable end.); connection 2: D-SUB pin strip (1x 9-position); cable length: 1 m

CABLE-D- 9SUB/M/OE/0,25/S/1,5M - Cable

2926386

<https://www.phoenixcontact.com/in/products/2926386>



Assembled shielded round cable; connection 1: Single wires (9-position) (The wires are marked and fitted with ferrules. The braided shield is routed to a separate cable end.); connection 2: D-SUB pin strip (1x 9-position); cable length: 1.5 m

VIP-2/SC/D 9SUB/F/LED - Interface module



2322197

<https://www.phoenixcontact.com/in/products/2322197>

CABLE-D- 9SUB/M/OE/0,25/S/2,0M - Cable

2926399

<https://www.phoenixcontact.com/in/products/2926399>



Assembled shielded round cable; connection 1: Single wires (9-position) (The wires are marked and fitted with ferrules. The braided shield is routed to a separate cable end.); connection 2: D-SUB pin strip (1x 9-position); cable length: 2 m

CABLE-D- 9SUB/M/OE/0,25/S/3,0M - Cable

2926409

<https://www.phoenixcontact.com/in/products/2926409>



Assembled shielded round cable; connection 1: Single wires (9-position) (The wires are marked and fitted with ferrules. The braided shield is routed to a separate cable end.); connection 2: D-SUB pin strip (1x 9-position); cable length: 3 m

VIP-2/SC/D 9SUB/F/LED - Interface module

2322197

<https://www.phoenixcontact.com/in/products/2322197>

CABLE-D- 9SUB/M/OE/0,25/S/4,0M - Cable

2926412

<https://www.phoenixcontact.com/in/products/2926412>



Assembled shielded round cable; connection 1: Single wires (9-position) (The wires are marked and fitted with ferrules. The braided shield is routed to a separate cable end.); connection 2: D-SUB pin strip (1x 9-position); cable length: 4 m

CABLE-D- 9SUB/M/OE/0,25/S/6,0M - Cable

2926425

<https://www.phoenixcontact.com/in/products/2926425>



Assembled shielded round cable; connection 1: Single wires (9-position) (The wires are marked and fitted with ferrules. The braided shield is routed to a separate cable end.); connection 2: D-SUB pin strip (1x 9-position); cable length: 6 m

VIP-2/SC/D 9SUB/F/LED - Interface module

2322197

<https://www.phoenixcontact.com/in/products/2322197>

CABLE-D- 9SUB-M-OE-0,25-S/... - Cable

2900909

<https://www.phoenixcontact.com/in/products/2900909>



Assembled shielded round cable; connection 1: Single wires (9-position) (The wires are marked and fitted with ferrules. The braided shield is routed to a separate cable end.); connection 2: D-SUB pin strip (1x 9-position); cable length: variable

CABLE-D 9SUB/S/S/100/KONFEK/S - Cable

2305570

<https://www.phoenixcontact.com/in/products/2305570>



Assembled shielded round cable; connection 1: D-SUB pin strip (1x 9-position); connection 2: D-SUB pin strip (1x 9-position); cable length: 1 m

VIP-2/SC/D 9SUB/F/LED - Interface module



2322197

<https://www.phoenixcontact.com/in/products/2322197>

CABLE-D 9SUB/S/S/200/KONFEK/S - Cable

2305583

<https://www.phoenixcontact.com/in/products/2305583>



Assembled shielded round cable; connection 1: D-SUB pin strip (1x 9-position);
connection 2: D-SUB pin strip (1x 9-position); cable length: 2 m

CABLE-D 9SUB/S/S/300/KONFEK/S - Cable

2305596

<https://www.phoenixcontact.com/in/products/2305596>



Assembled shielded round cable; connection 1: D-SUB pin strip (1x 9-position);
connection 2: D-SUB pin strip (1x 9-position); cable length: 3 m

VIP-2/SC/D 9SUB/F/LED - Interface module

2322197

<https://www.phoenixcontact.com/in/products/2322197>

CABLE-D 9SUB/S/S/HF/S/ 1,0M - Cable

1066594

<https://www.phoenixcontact.com/in/products/1066594>



Assembled, shielded, halogen-free round cable; connection 1: D-SUB pin strip (1x 9-position); connection 2: D-SUB pin strip (1x 9-position); cable length: 1 m

CABLE-D 9SUB/S/S/HF/S/ 2,0M - Cable

1066595

<https://www.phoenixcontact.com/in/products/1066595>



Assembled, shielded, halogen-free round cable; connection 1: D-SUB pin strip (1x 9-position); connection 2: D-SUB pin strip (1x 9-position); cable length: 2 m

VIP-2/SC/D 9SUB/F/LED - Interface module



2322197

<https://www.phoenixcontact.com/in/products/2322197>

CABLE-D 9SUB/S/S/HF/S/ 3,0M - Cable

1066596

<https://www.phoenixcontact.com/in/products/1066596>



Assembled, shielded, halogen-free round cable; connection 1: D-SUB pin strip (1x 9-position); connection 2: D-SUB pin strip (1x 9-position); cable length: 3 m

CABLE-D 9SUB-S-S-HF-S/... - Cable

1075567

<https://www.phoenixcontact.com/in/products/1075567>



Assembled, shielded, halogen-free round cable; connection 1: D-SUB pin strip (1x 9-position); connection 2: D-SUB pin strip (1x 9-position); cable length: variable

Phoenix Contact 2023 © - all rights reserved
<https://www.phoenixcontact.com>

PHOENIX CONTACT (I) Pvt. Ltd.
A-58/2, Okhla Industrial Area, Phase - II, New Delhi-110 020

+91.1275.71420
info@phoenixcontact.co.in